

# Parts Catalogue

Model : RK55S / RK55SC

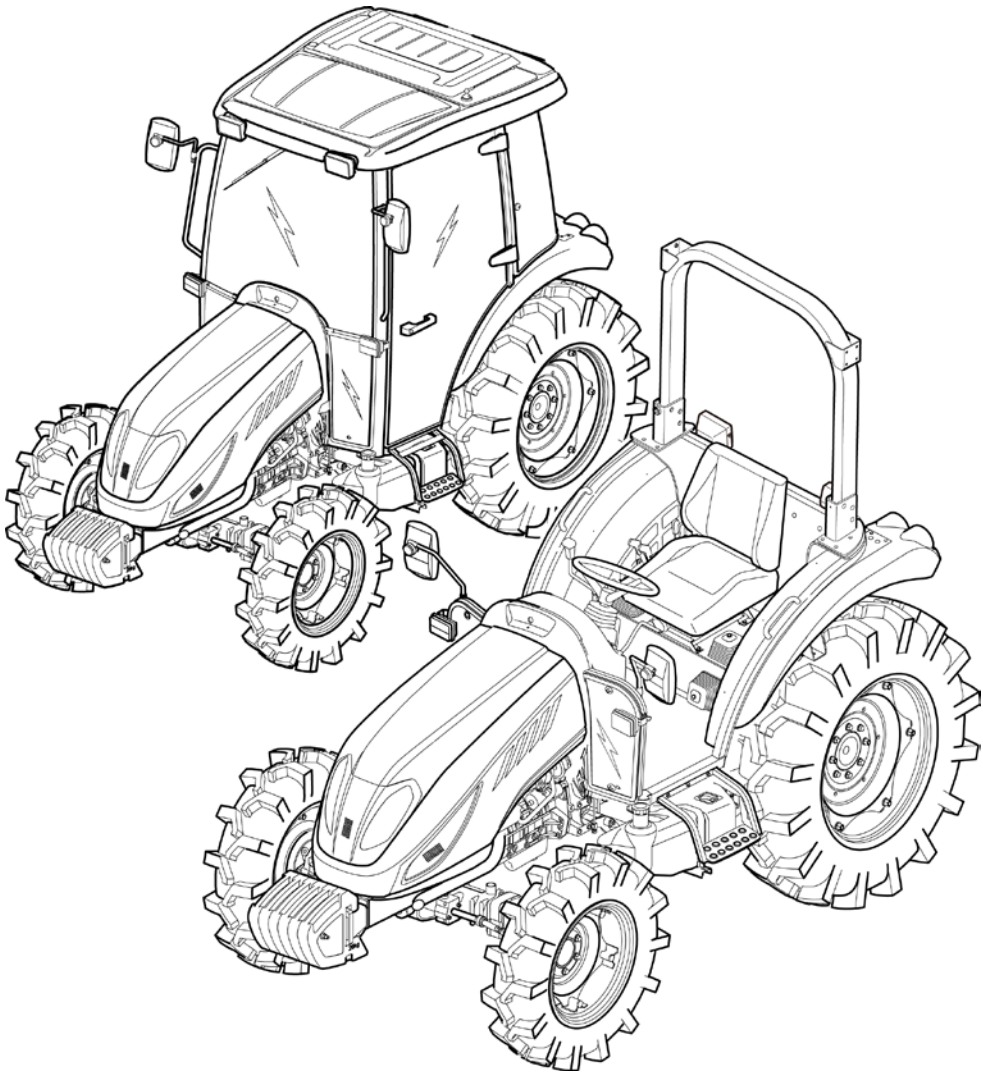


FIG 101

CYLINDER BLOCK

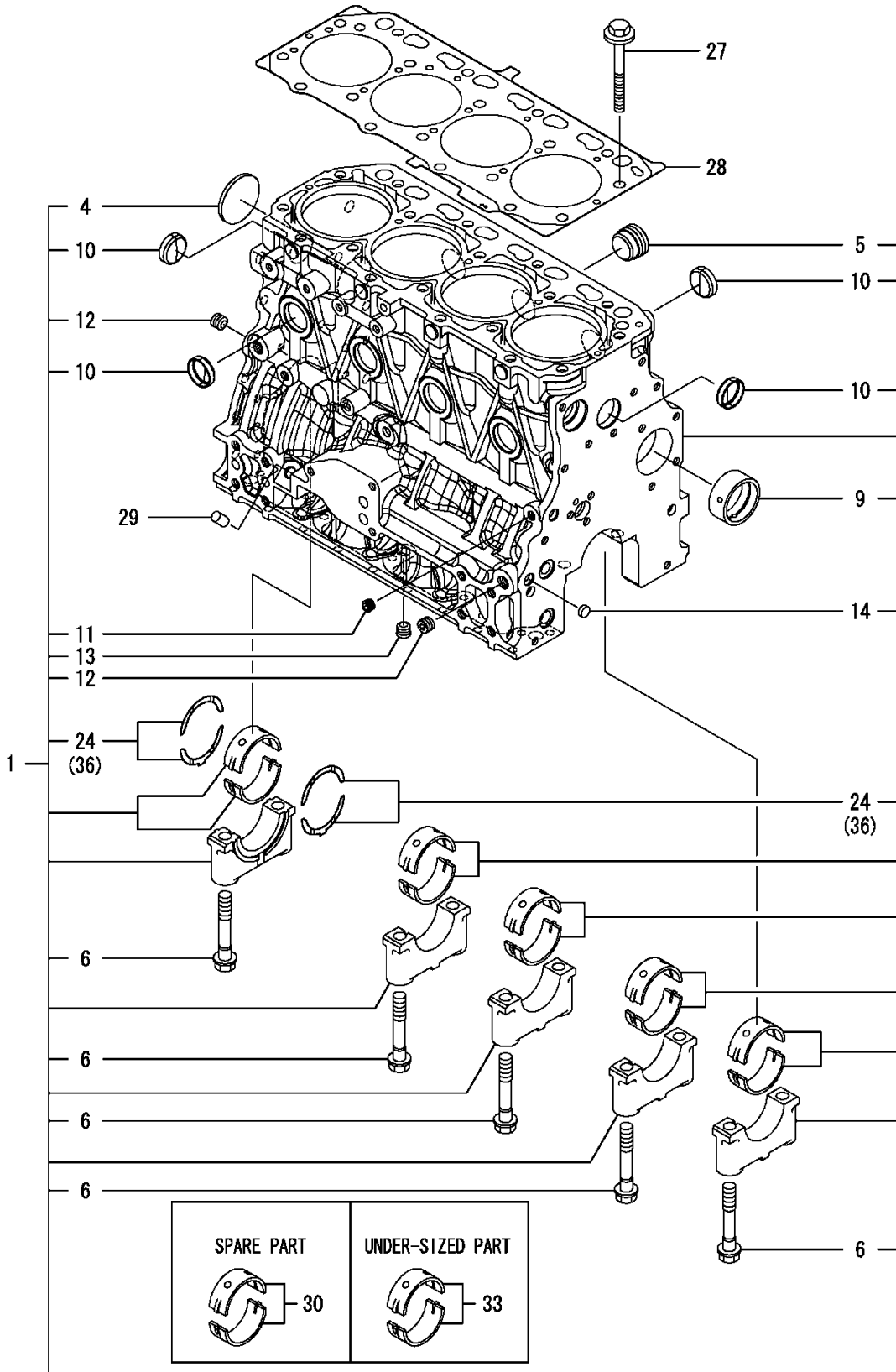
P1

YEAR

2017



RK55S / RK55SC



NOTE





FIG 102

GEAR HOUSING

P1

YEAR

2017



RK55S / RK55SC

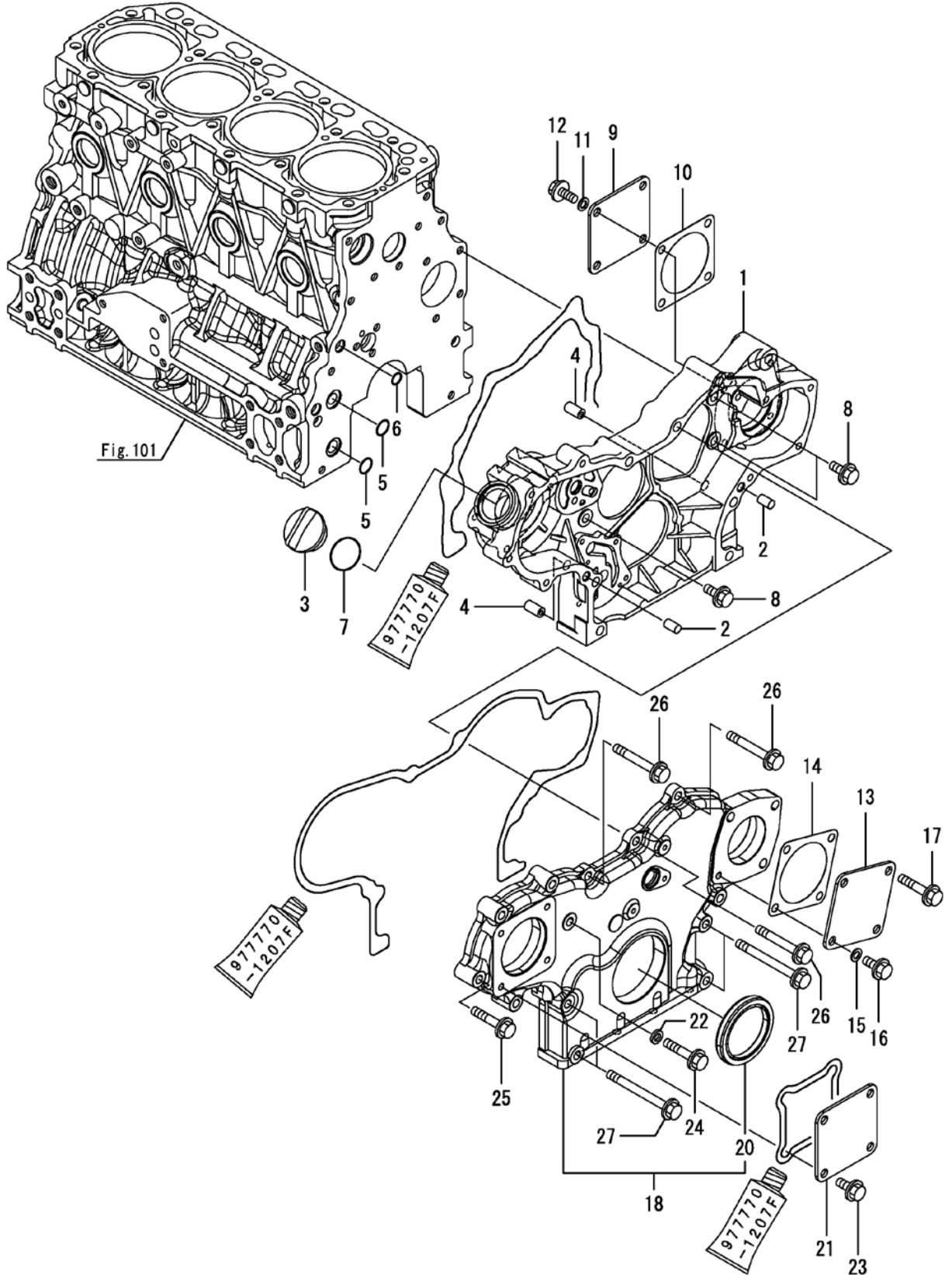


Fig. 101

NOTE



FIG 103

FLYWHEEL HOUSING & OIL SUMP

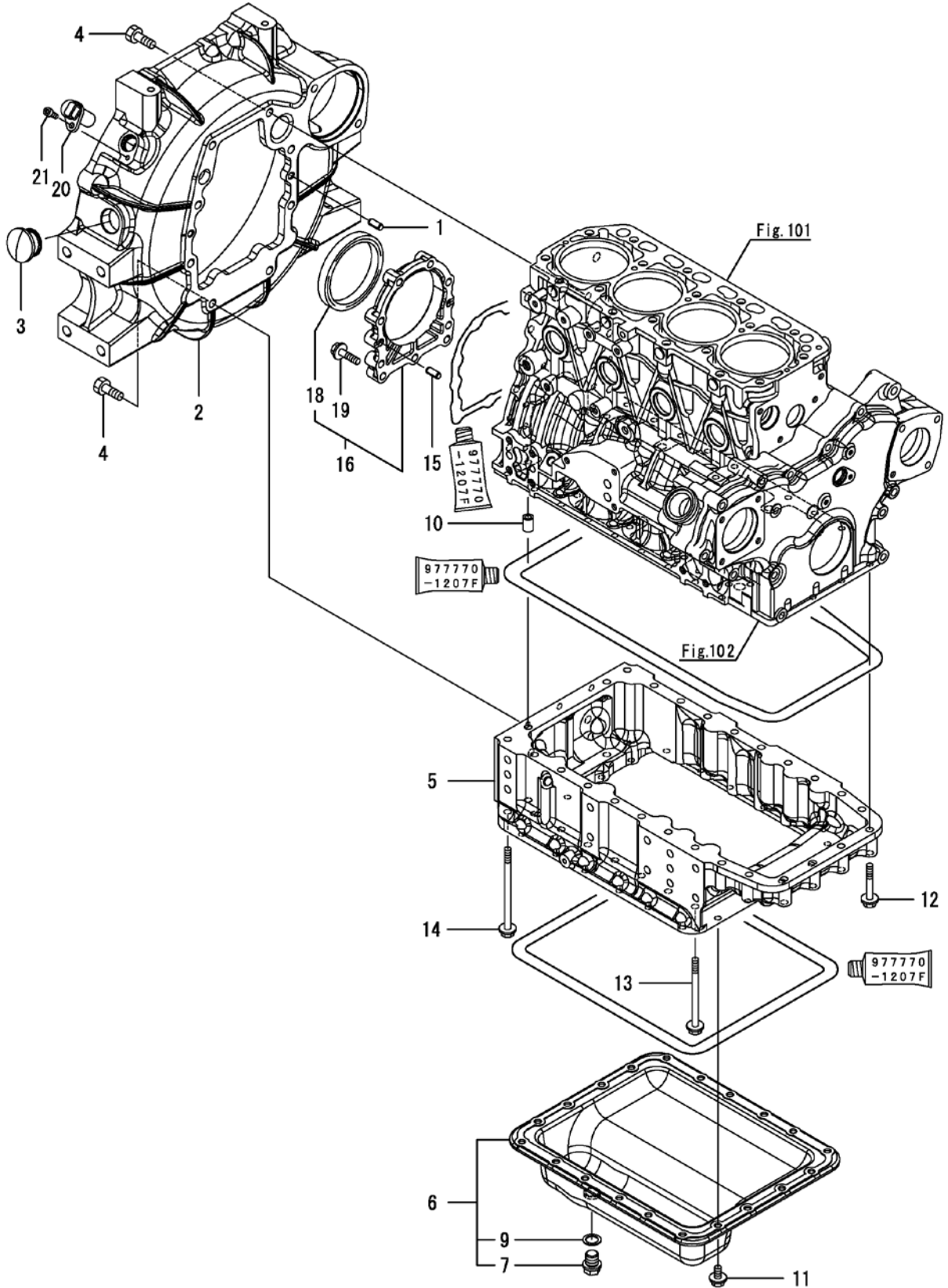
P1

YEAR

2017



RK55S / RK55SC



NOTE



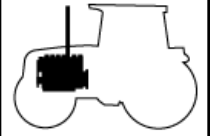
# FIG 104

# CYLINDER HEAD & BONNET

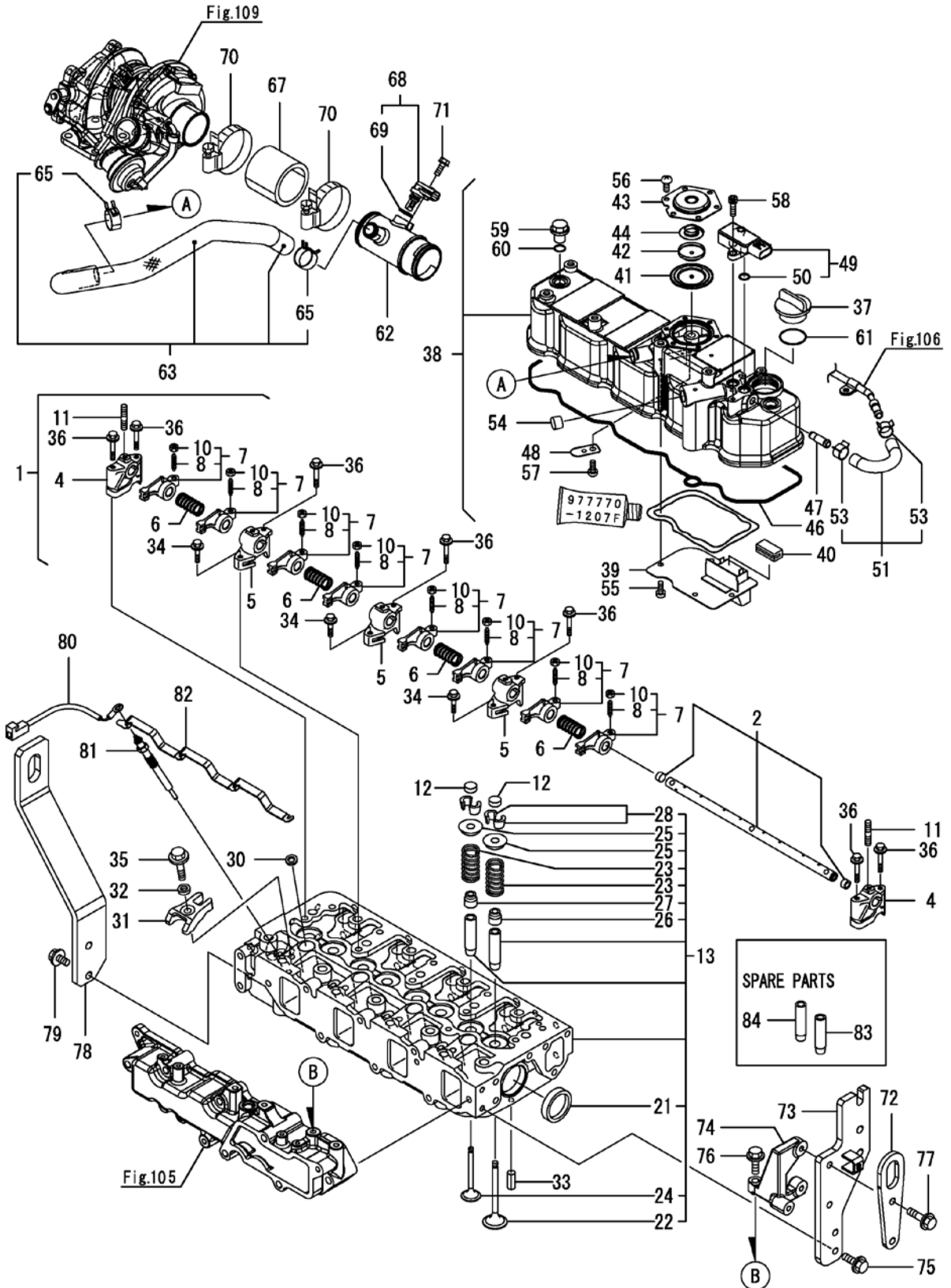
P1

YEAR

2017



RK55S / RK55SC



NOTE


FIG 104		CYLINDER HEAD & BONNET				P1	YEAR	
RK55S / RK55SC							2017	
KEY NO.	PART NO.	DESCRIPTION	SPEC.	QTY.		REPAIR	ENG. SERIAL NO.	REMARKS
				RK55S	RK55SC			
104	001	129601-11241	SHAFT ASSY, ROCKER		1	1		
104	002	129601-11251	SHAFT, ROCKER ARM		1	1		
104	004	119802-11260	SUPPORT, ROCKER ARM		2	2		
104	005	119802-11270	SUPPORT, ROCKER ARM		3	3		
104	006	129150-11280	SPRING		4	4		
104	007	129004-11650	ARM, ROCKER		8	8		
104	008	129150-11230	SCREW, VALVE ADJUST		8	8		
104	010	129150-11750	NUT, M8		8	8		
104	011	26226-080182	STUD, M8X18		3	3		
104	012	129150-11370	CAP, VALVE		8	8		
104	013	129C01-11700	HEAD ASSY, CYLINDER		1	1		
104	021	27241-400000	PLUG, 40		2	2		
104	022	129005-11100	VALVE, INTAKE		4	4		
104	023	129795-11120	SPRING, VALVE		8	8		
104	024	129100-11130	VALVE, EXHAUST		4	4		
104	025	129795-11180	RETAINER, SPRING		8	8		
104	026	124460-11340	SEAL, VALVE STEM		4	4		
104	027	129A00-11340	SEAL, VALVE STEM		4	4		
104	028	27310-080001	COTTER, 8		8	8		
104	030	129978-11871	GASKET, INJECTOR		4	4		
104	031	129A00-11900	RETAINER, INJECTOR		4	4		
104	032	120270-54410	WASHER, INJECTOR		4	4		
104	033	22351-060012	PIN, SPRING 6.0X12		2	2		
104	034	26106-080252	BOLT, M8X25 PLATED		3	3		
104	035	26106-080352	BOLT, M8X35 PLATED		4	4		
104	036	26106-080502	BOLT, M8X50 PLATED		7	7		
104	037	124160-01751	COVER, FILLER		1	1		
104	038	129C01-11351	BONNET ASSY		1	1		
104	039	129004-03010	PLATE		1	1		
104	040	129150-03070	BAFFLE, BREATHER		1	1		
104	041	123907-03100	DIAPHRAGM		1	1		
104	042	123907-03110	PLATE		1	1		
104	043	123907-03120	PLATE, BREATHER		1	1		
104	044	123907-03140	SPRING, DIAPHRAGM		1	1		
104	046	129C00-11310	GASKET, COVER		1	1		
104	047	129A00-11330	JOINT		1	1		
104	048	129009-11340	SPRING		1	1		
104	049	129A00-12703	SENSOR,PRESSURE		1	1		
104	050	129A00-12780	O-RING,PRES SENSOR		2	2		
104	051	129A00-13360	HOSE ASSY, PRES EXH		1	1		
104	053	129A00-13380	CLIP, HOSE 14		2	2		
104	054	119640-61400	PLUG		1	1		
104	055	22857-500100	SCREW, 5X10		4	4		
104	056	22857-500100	SCREW, 5X10		6	6		
104	057	22857-500100	SCREW, 5X10		1	1		
104	058	26450-060162	BOLT, M6X16		2	2		
			- NEXT -					
NOTE	(1)Spare parts.							

FIG 104

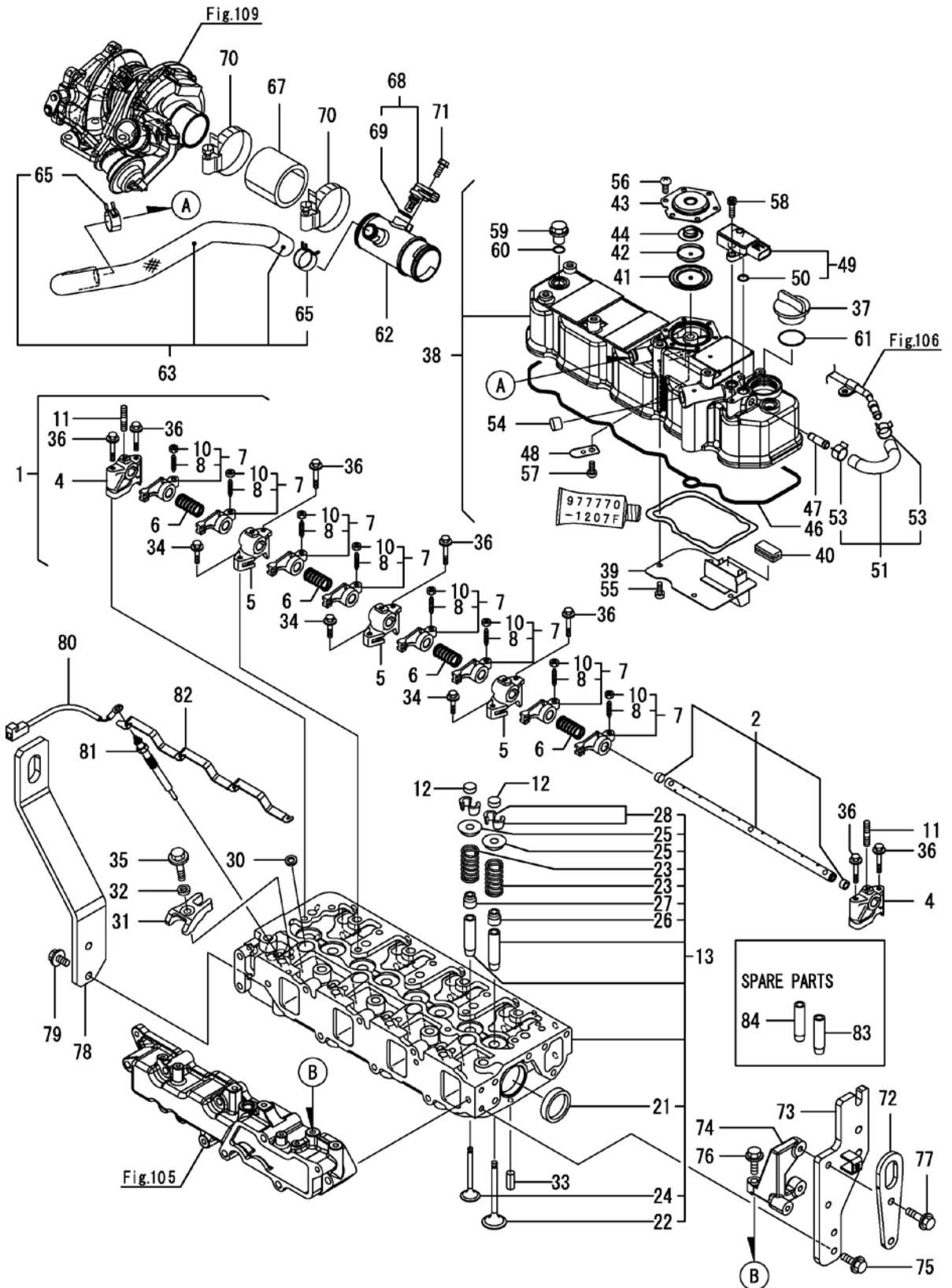
CYLINDER HEAD & BONNET

RK55S / RK55SC

P2

YEAR

2017



NOTE





# FIG 105

# SUCTION MANIFOLD

RK55S / RK55SC

P1

YEAR

2017

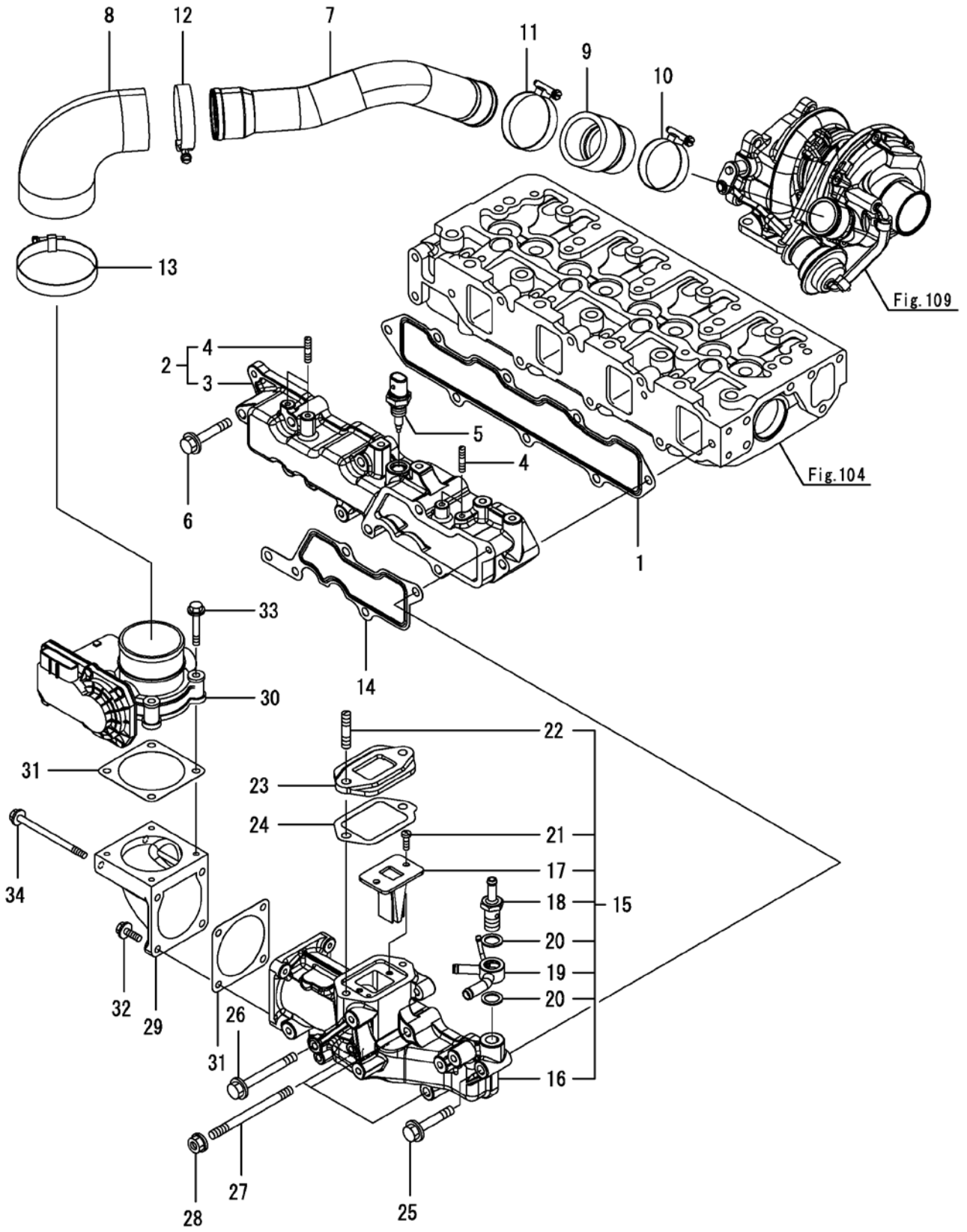
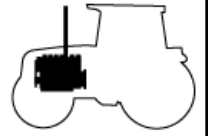


Fig.109

Fig.104

NOTE



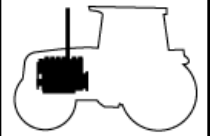
FIG 106

EXHAUST MANIFOLD

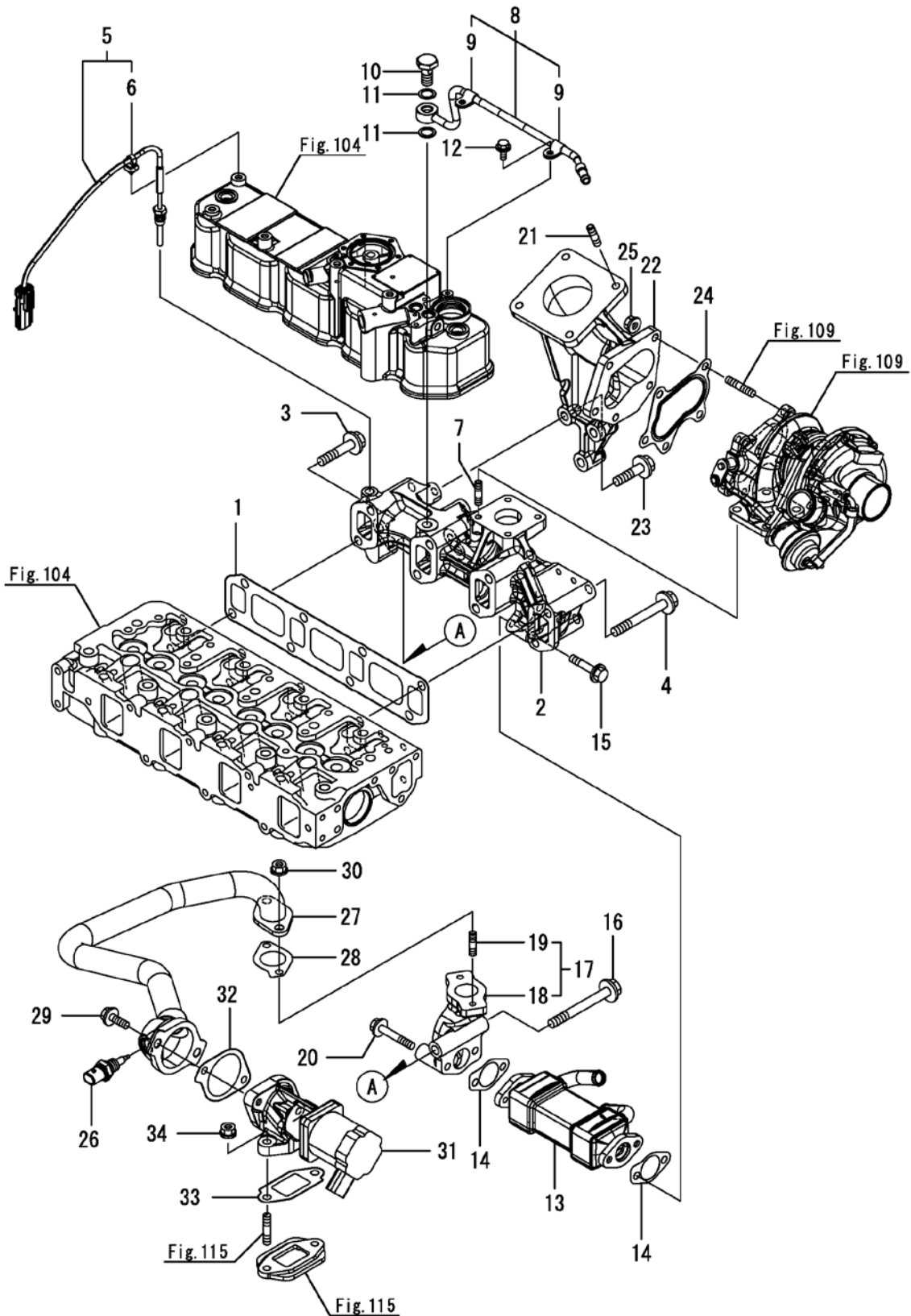
P1

YEAR

2017



RK55S / RK55SC



NOTE



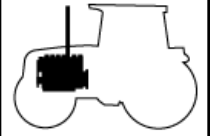
FIG 107

DIESEL PARTICULATE FILTER

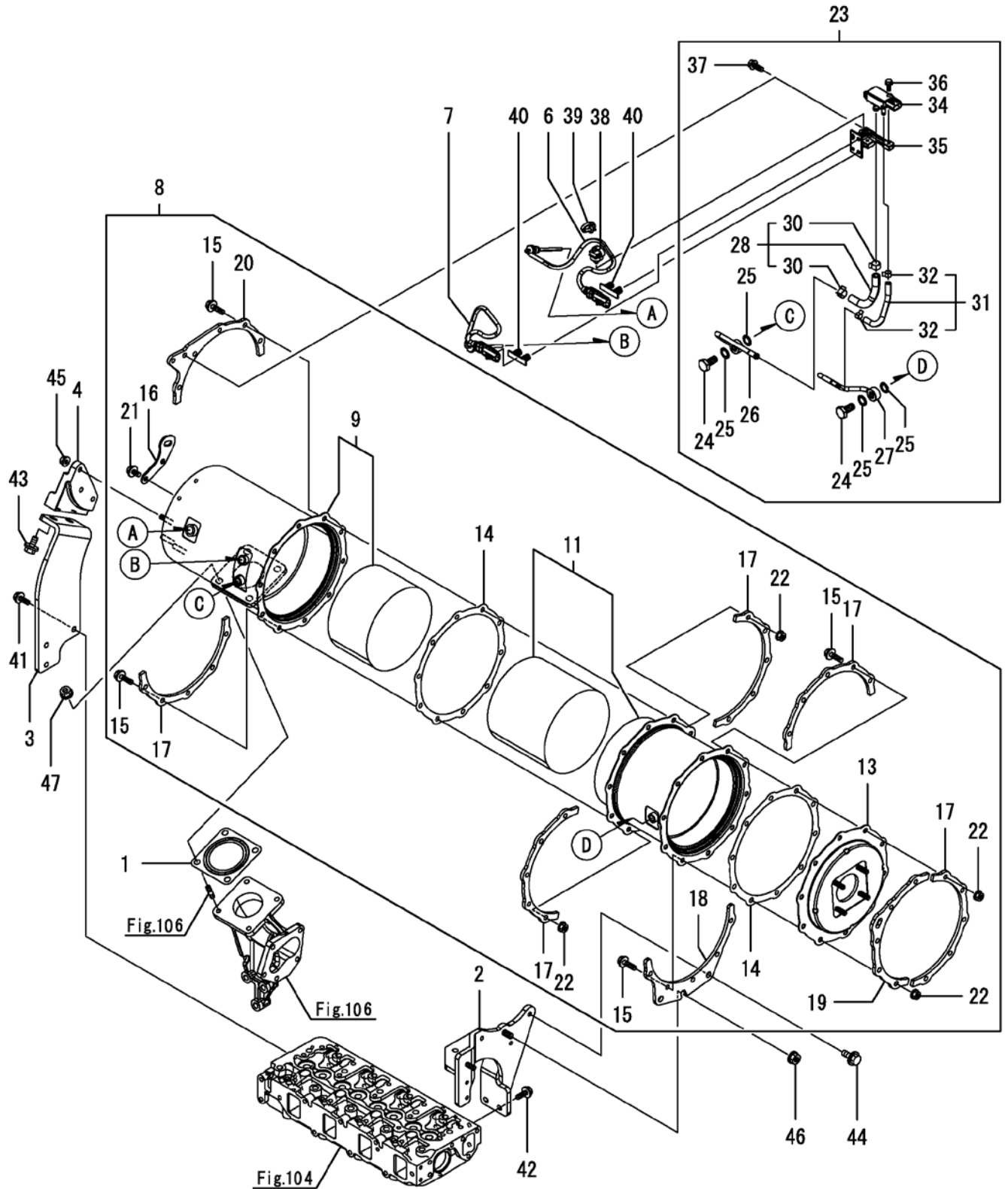
P1

YEAR

2017



RK55S / RK55SC



NOTE



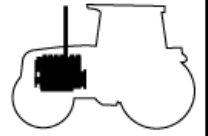
FIG 108

CAMSHAFT & DRIVING GEAR

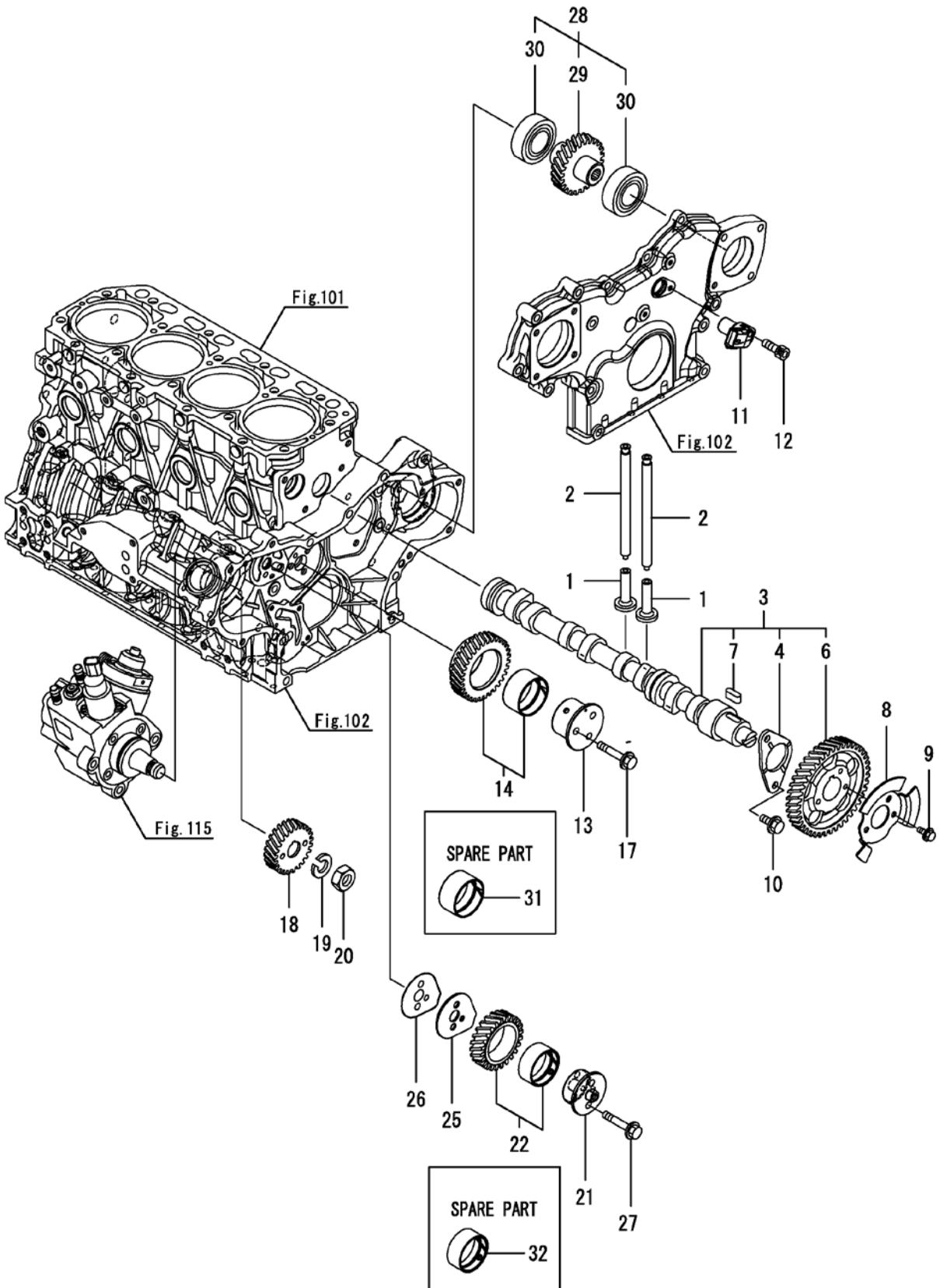
P1

YEAR

2017



RK55S / RK55SC



NOTE





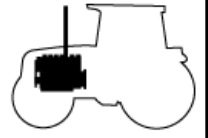
FIG 109

TURBINE

P1

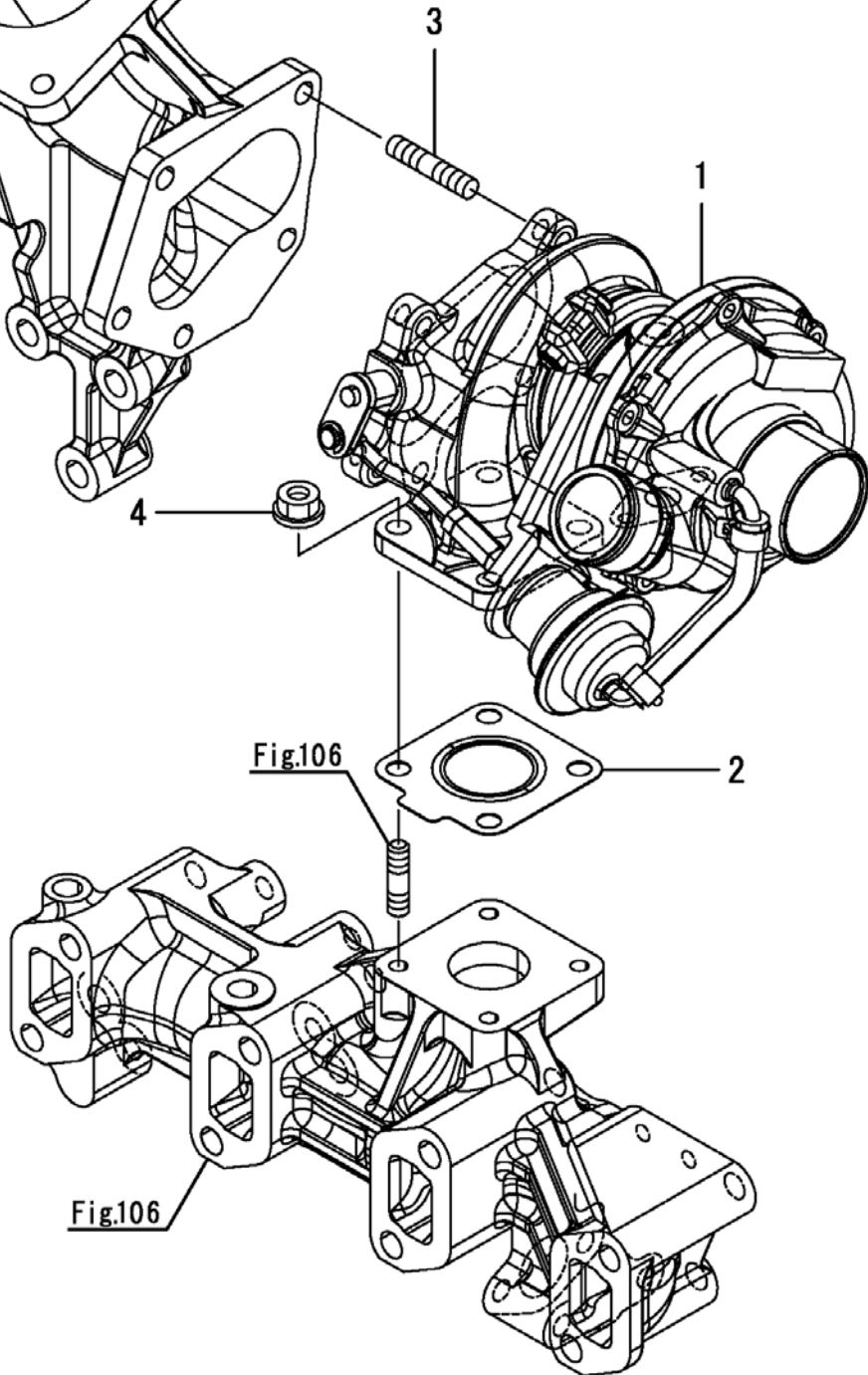
YEAR

2017



RK55S / RK55SC

Fig.106



NOTE



FIG 110

# CRANKSHAFT & PISTON

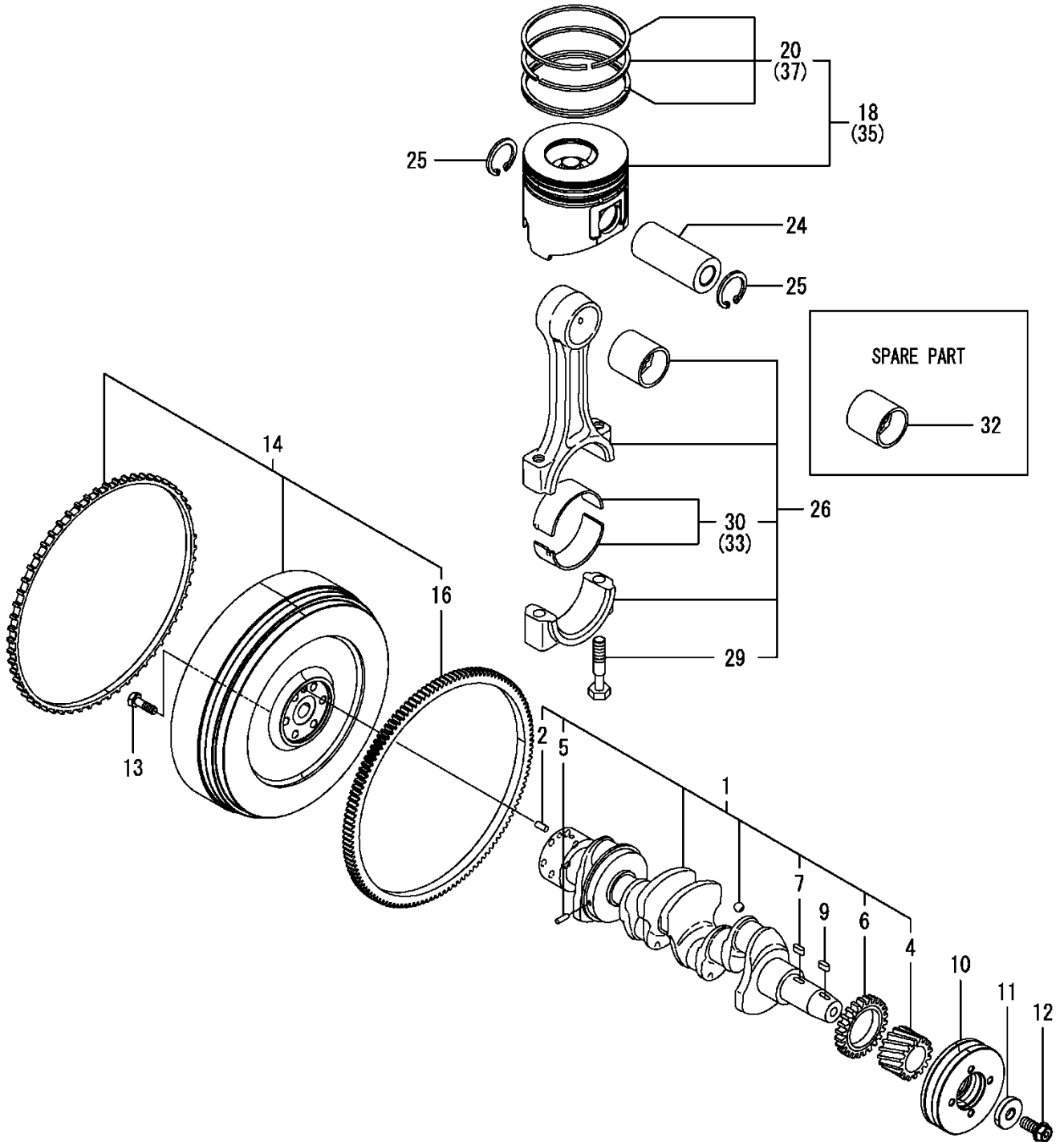
P1

YEAR

2017



RK55S / RK55SC



NOTE

<b>FIG 110</b>  <small>RK55S / RK55SC</small>	<b>CRANKSHAFT &amp; PISTON</b>	P1	YEAR <hr/> 2017	
---	--------------------------------	----	--------------------	---

KEY NO.	PART NO.	DESCRIPTION	SPEC.	QTY.		REPAIR	ENG. SERIAL NO.	REMARKS
				RK55S	RK55SC			
110	001	129558-21000	CRANKSHAFT ASSY		1	1		
110	002	129100-01580	PIN, 8X16		1	1		
110	004	119803-21200	GEAR, CRANKSHAFT		1	1		
110	005	121850-21290	PIN		1	1		
110	006	129400-28121	GEAR, BALANCER		1	1		
110	007	22512-070140	KEY, 7X14		1	1		
110	009	22512-070140	KEY, 7X14		1	1		
110	010	119852-21650	V-PULLEY,120		1	1		
110	011	129795-21661	WASHER		1	1		
110	012	121850-21680	BOLT		1	1		
110	013	121111-21501	BOLT, FLYWHEEL		6	6		
110	014	129C26-21580	FLYWHEEL ASSY		1	1		
110	016	124550-21600	GEAR, RING		1	1		
110	018	129A01-22080	PISTON ASSY		4	4		
110	020	129A01-22500	RING ASSY, PISTON		4	4		
110	024	129202-22300	PIN, PISTON D26 L70		4	4		
110	025	22252-000260	RING, 26		8	8		
110	026	729402-23100	ROD ASSY, CONNECTING		4	4		
110	029	121550-23200	BOLT, CONNECTING ROD		8	8		
110	030	129150-23601	BEARING , CRANK PIN		4	4		
110	032	129100-23910	BEARING , PISTON PIN		4	4		
110	033	129150-23611	BEARING, 0.25 US		4	4		
110	035	129C00-22900	PISTON ASSY , 0.25 OS		4	4		
110	037	129A00-22950	RINGSET , 0.25 OS		4	4		

**NOTE** (1)Spare parts. (2)Under-sized (U.S.=0.25) parts. (3)Over-sized (O.S.=0.25) parts.

FIG 111

BALANCER

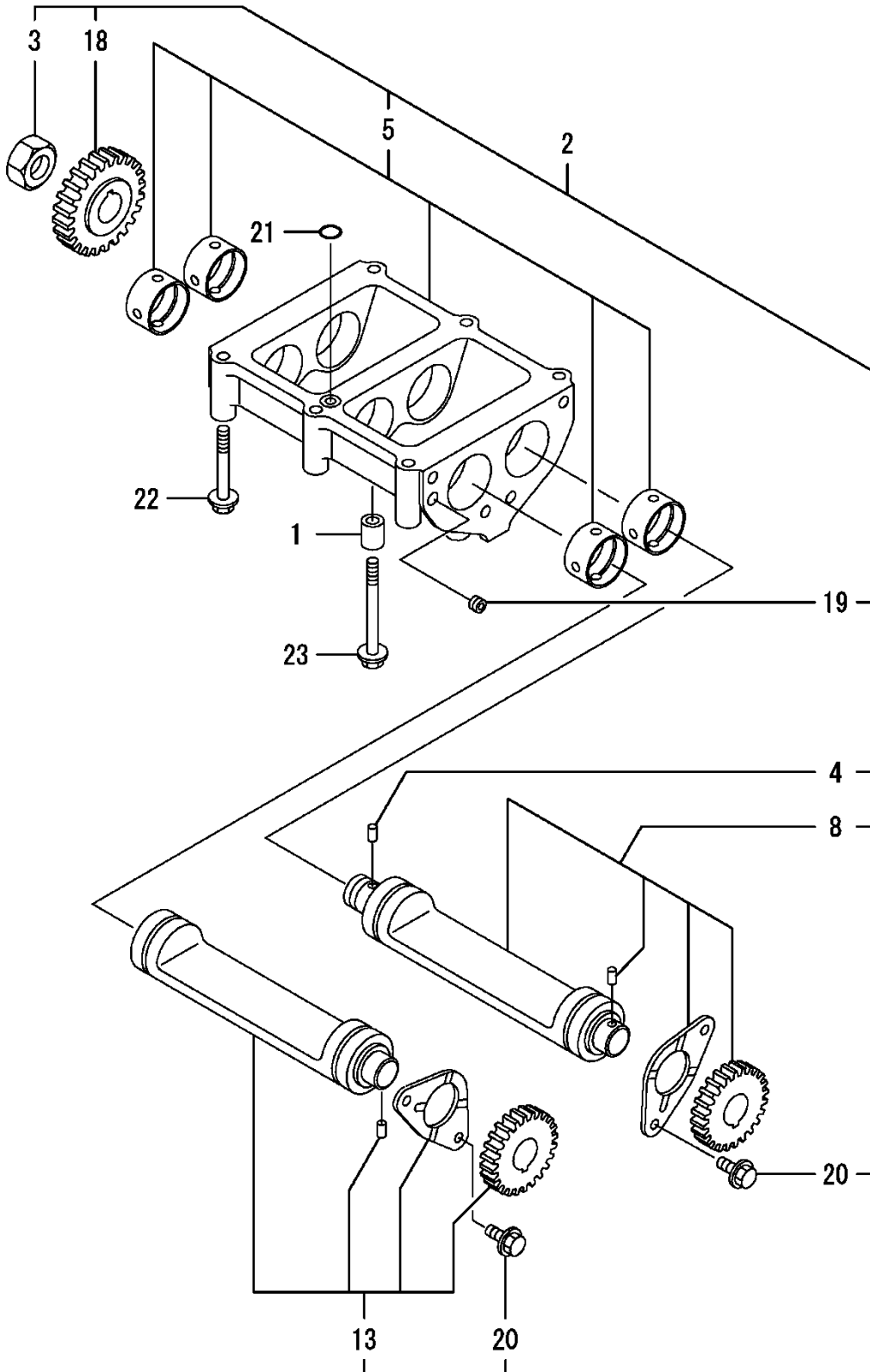
P1

YEAR

2017



RK55S / RK55SC



NOTE



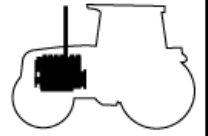
FIG 112

LUB. OIL SYSTEM

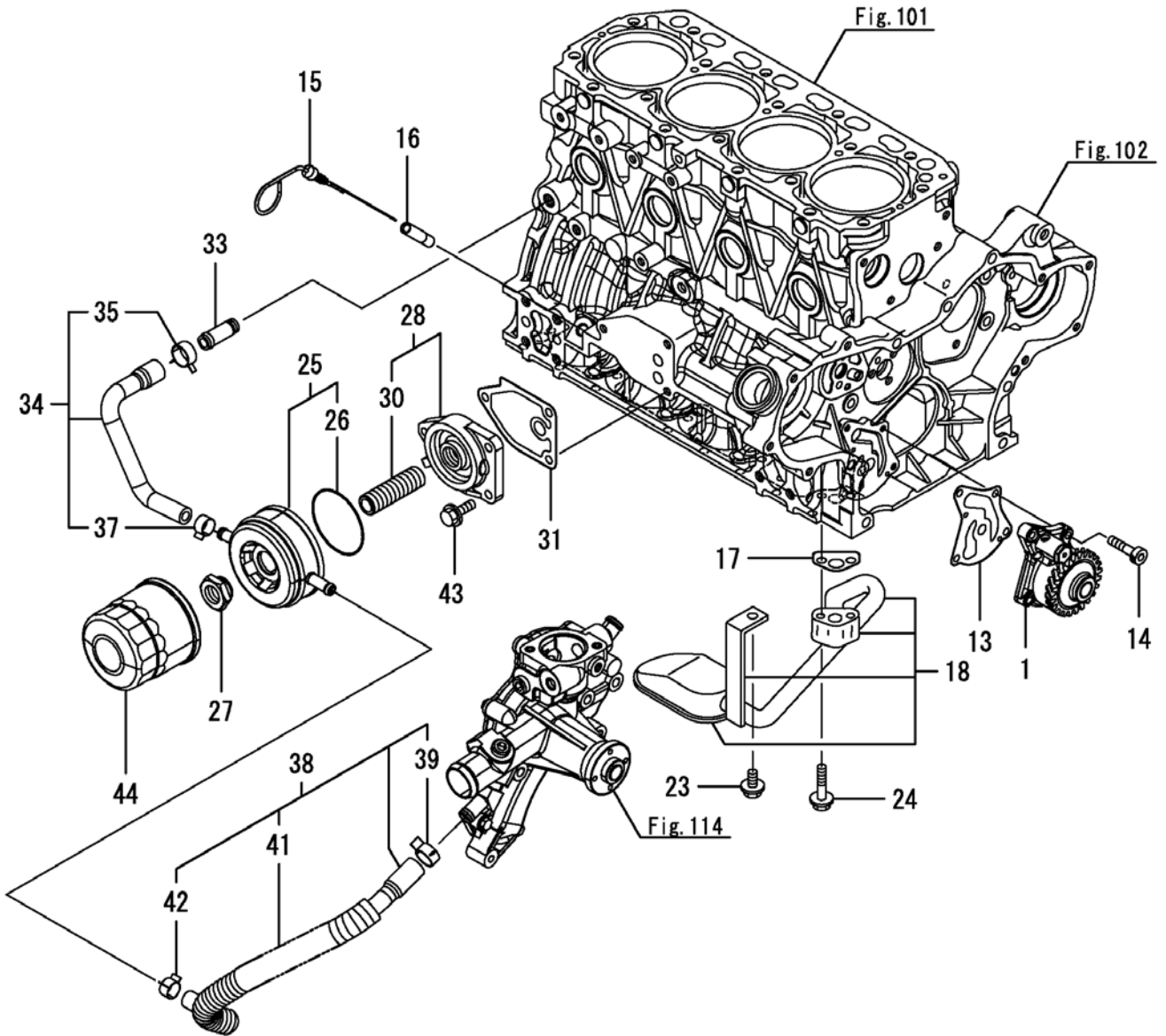
P1

YEAR

2017



RK55S / RK55SC



NOTE





FIG 113

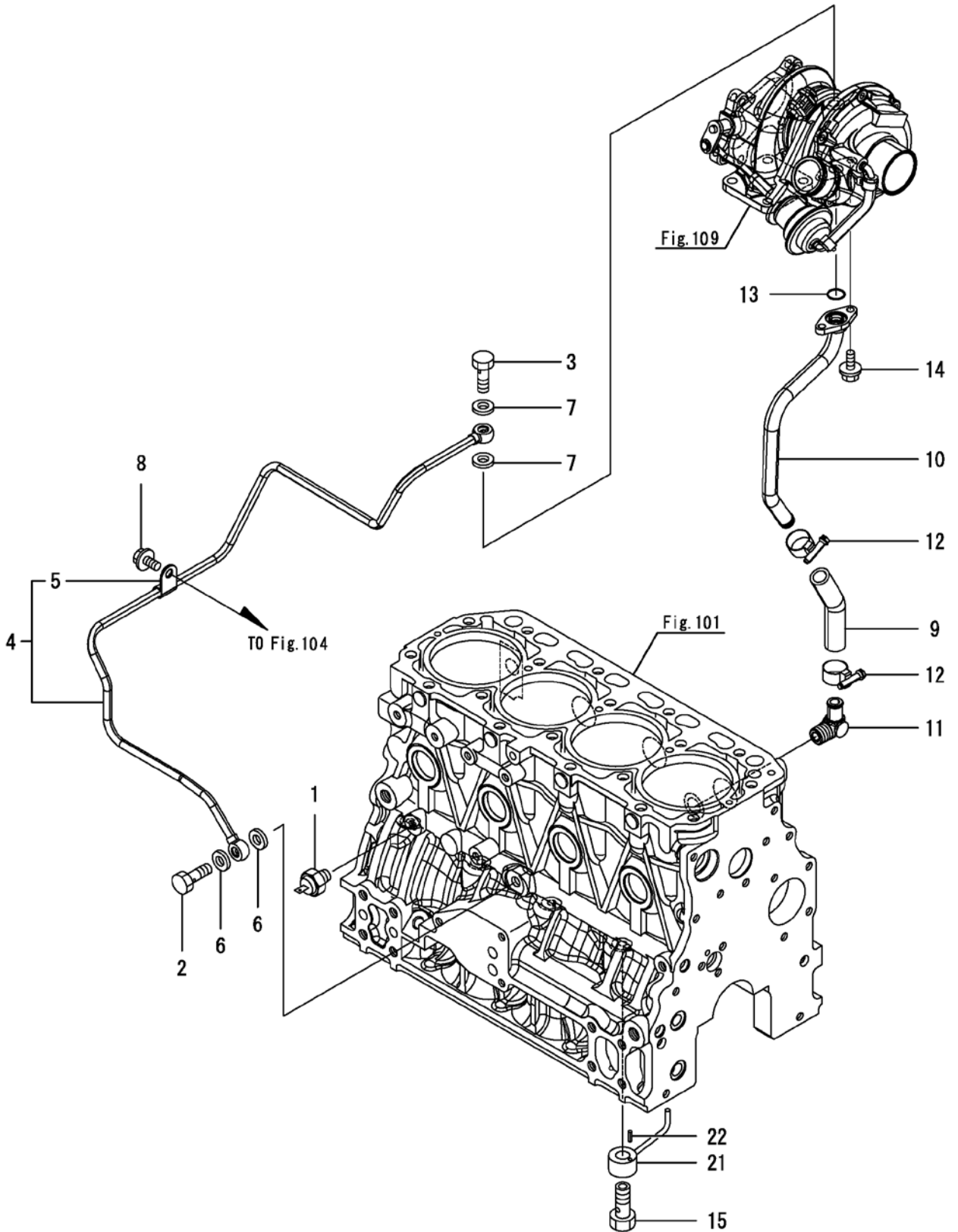
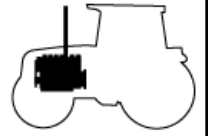
LUB. OIL LINE

RK55S / RK55SC

P1

YEAR

2017



NOTE



FIG 114

COOLING WATER SYSTEM

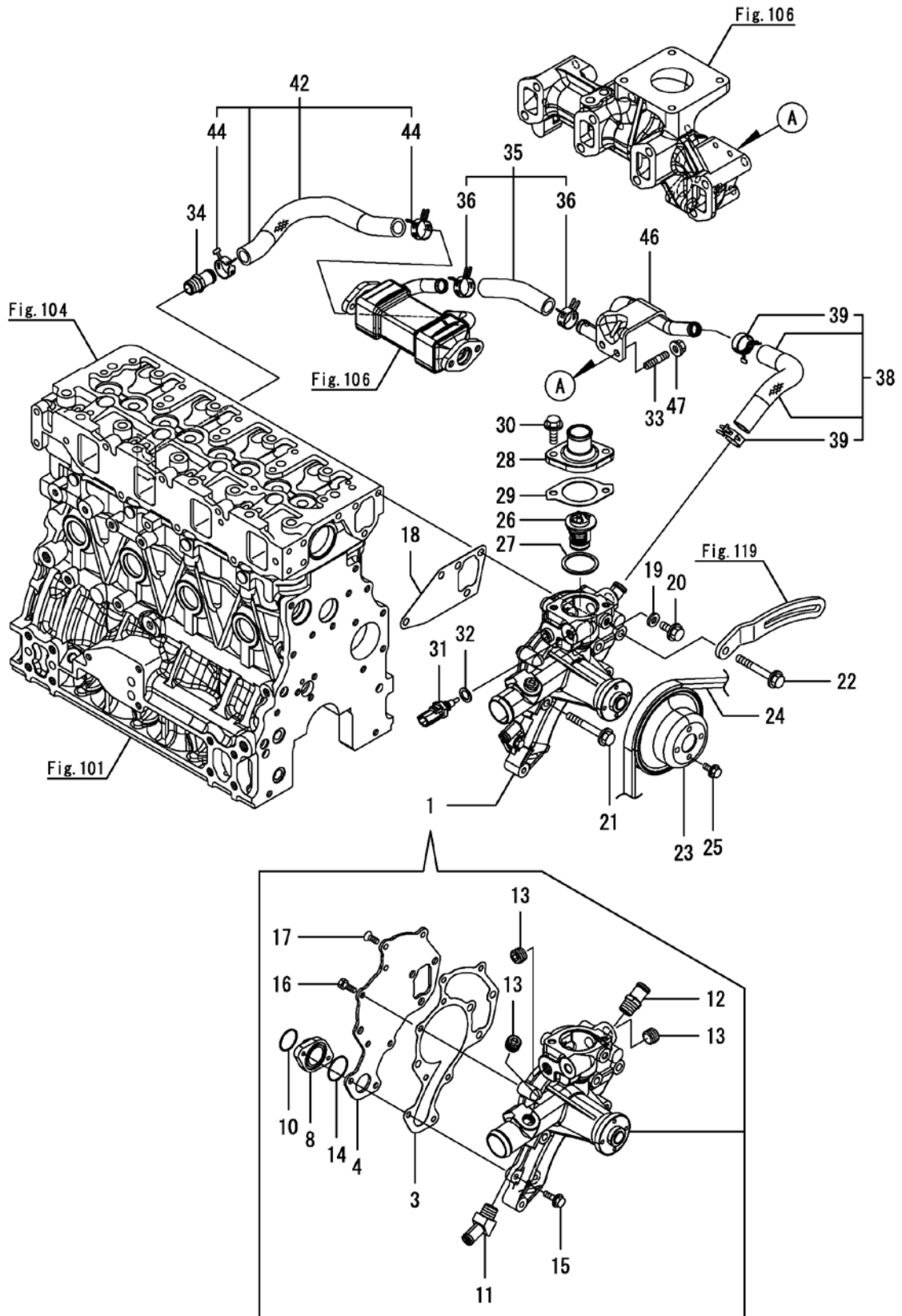
P1

YEAR

2017



RK55S / RK55SC



NOTE



FIG 115

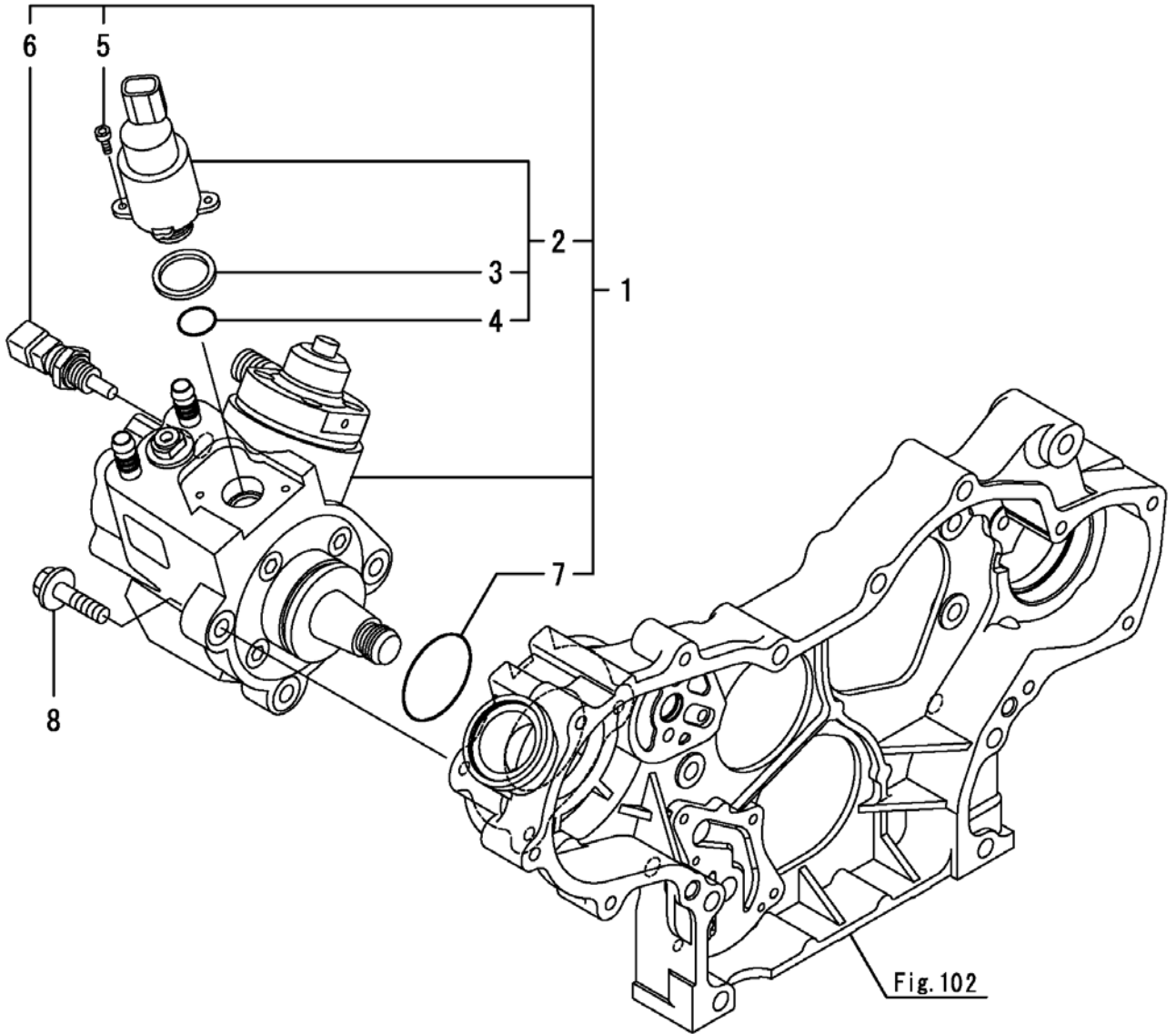
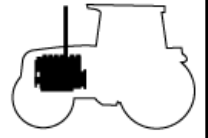
FUEL SUPPLY PUMP

RK55S / RK55SC

P1

YEAR

2017



NOTE



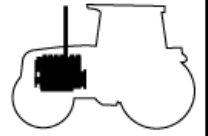
FIG 116

FUEL INJECTION VALVE

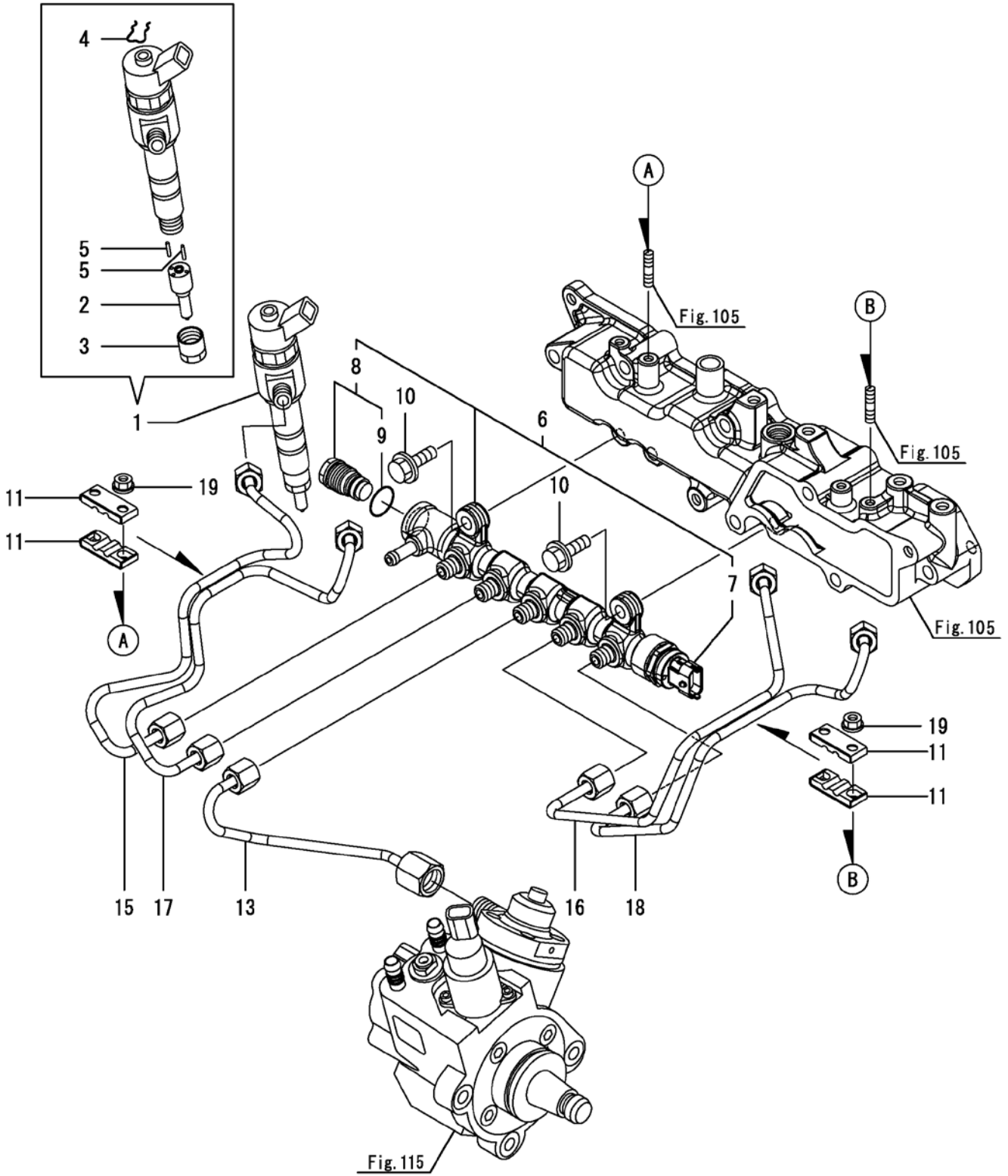
P1

YEAR

2017



RK55S / RK55SC



NOTE



**FIG 116**

RK55S / RK55SC

**FUEL INJECTION VALVE**

P1

YEAR

2017



KEY NO.	PART NO.	DESCRIPTION	SPEC.	QTY.		REPAIR	ENG. SERIAL NO.	REMARKS
				RK55S	RK55SC			
116	001	129A01-53100		4	4			
116	002	129A01-53000		4	4			
116	003	129A00-53080		4	4			
116	004	129A00-53200		4	4			
116	005	129A00-53210		8	8			
116	006	129C00-57000		1	1			
116	007	129A00-57100		1	1			
116	008	129A00-57200		1	1			
116	009	129A00-57210		1	1			
116	010	26106-080252		2	2			
116	011	122780-59100		4	4			
116	013	129A00-59700		1	1			
116	015	129C00-59810		1	1			
116	016	129A00-59820		1	1			
116	017	129C00-59820		1	1			
116	018	129A00-59830		1	1			
116	019	26366-060002		4	4			
<b>NOTE</b>								

# FIG 117

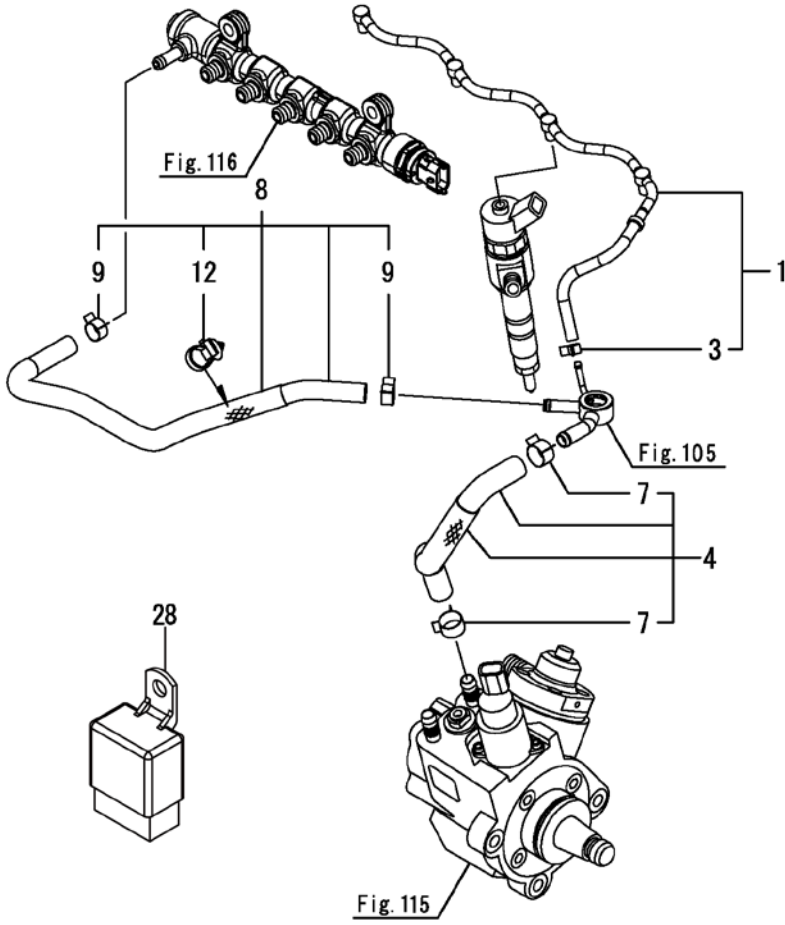
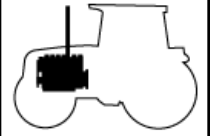
# FUEL LINE

RK55S / RK55SC

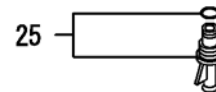
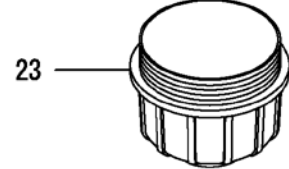
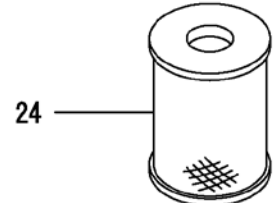
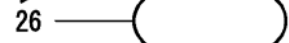
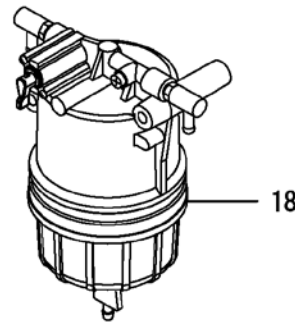
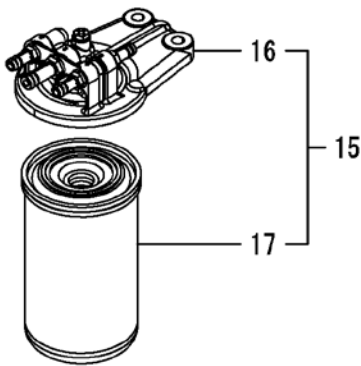
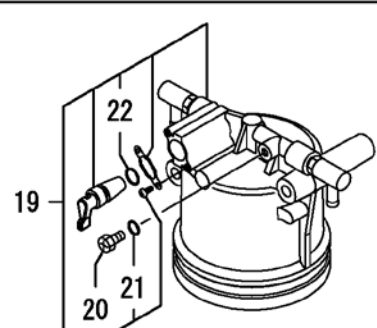
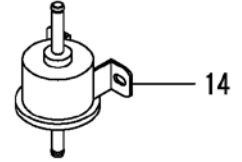
P1

YEAR

2017



### LOOSE PARTS

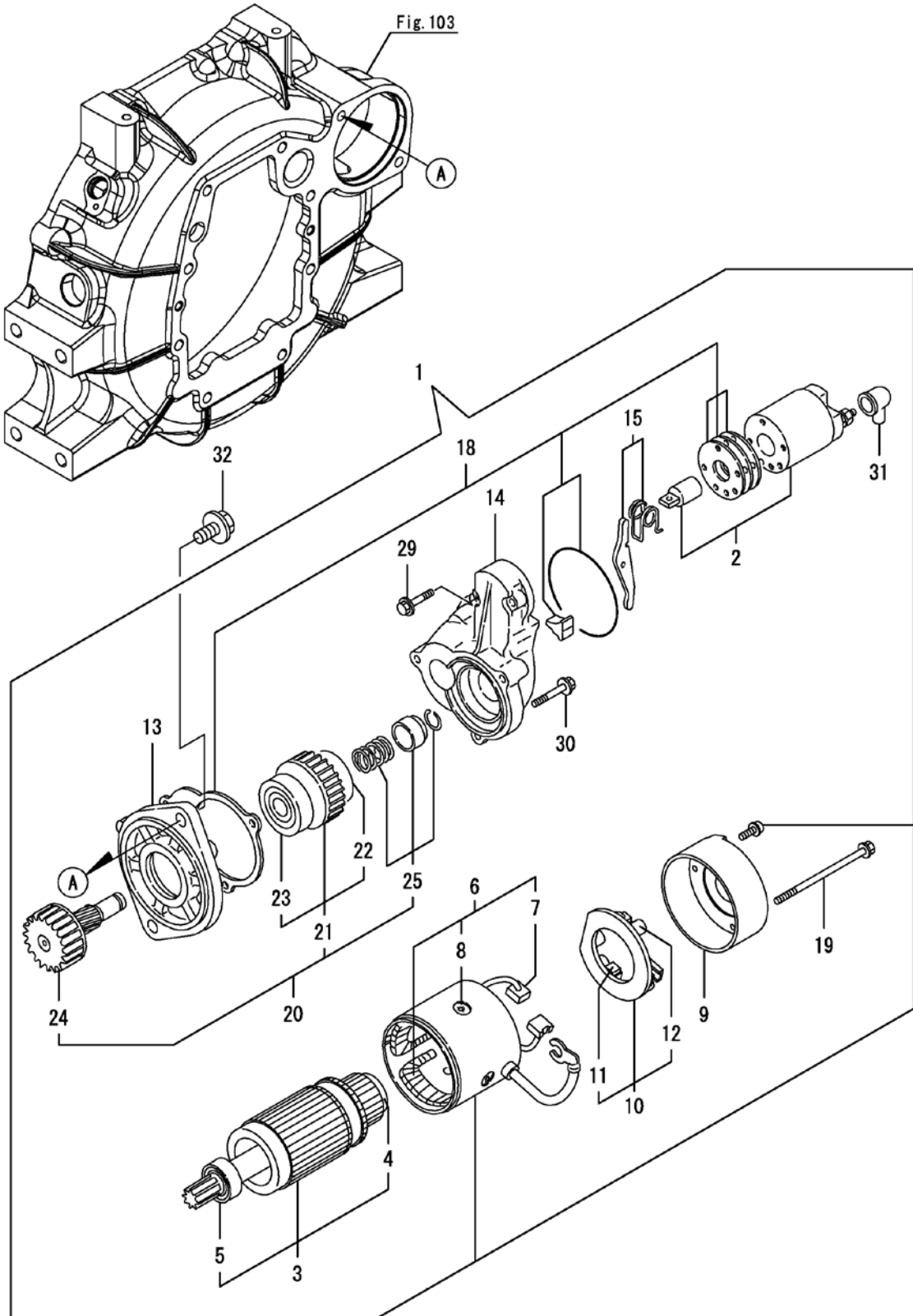


NOTE





RK55S / RK55SC



NOTE

KEY NO.		PART NO.	DESCRIPTION	SPEC.	QTY.		REPAIR	ENG. SERIAL NO.	REMARKS
					RK55S	RK55SC			
118	001	129136-77011	STARTER		1	1			
118	002	129136-77310	SWITCH ASSY		1	1			
118	003	129900-77400	ARMATURE ASSY		1	1			
118	004	X2130350900	BEARING , BALL		1	1			
118	005	X2114255110	BEARING , BALL		1	1			
118	006	129900-77440	COILASSY , FIELD		1	1			
118	007	129900-77450	BRUSH		2	2			
118	008	171008-77450	SCREW		4	4			
118	009	129900-77460	COVER		1	1			
118	010	129900-77480	HOLDER ASSY , BRUSH		1	1			
118	011	129900-77450	BRUSH		2	2			
118	012	129400-77490	SPRING		4	4			
118	013	171008-77510	CASE , GEAR		1	1			
118	014	129136-77520	HOUSING		1	1			
118	015	171008-77540	LEVERSET		1	1			
118	018	129400-77571	COVER ASSY , DUST		1	1			
118	019	129900-77640	BOLT , THROUGH		2	2			
118	020	171008-77650	PINION ASSY		1	1			
118	021	X2114555500	CLUTCH ASSY		1	1			
118	022	X2114955020	BEARING , BALL		1	1			
118	023	X2240410100	BEARING , BALL		1	1			
118	024	171008-77660	SHAFT		1	1			
118	025	171008-77670	STOPPER SET		1	1			
118	029	26106-060322	BOLT , M6X32 PLATED		2	2			
118	030	26106-060402	BOLT , M6X40 PLATED		3	3			
118	031	171008-77750	COVER		1	1			
118	032	26106-120252	BOLT , M12X25 PLATED		2	2			
NOTE									

FIG 119

GENERATOR

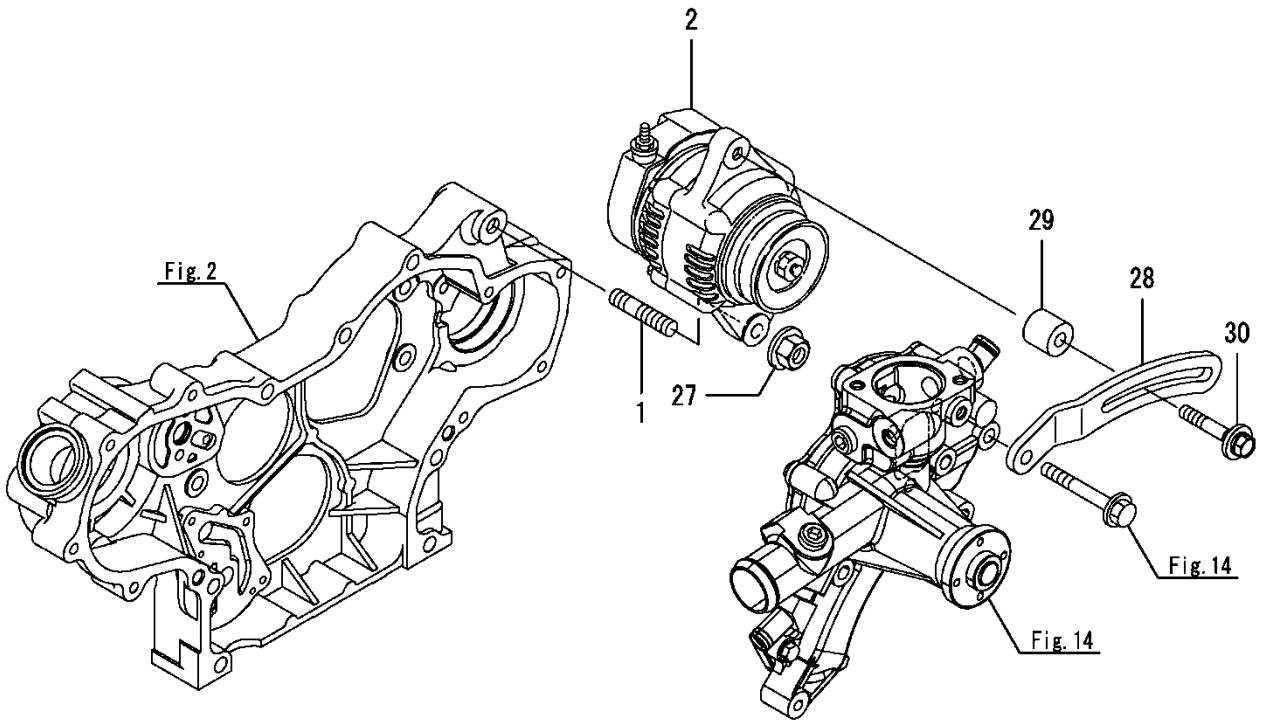
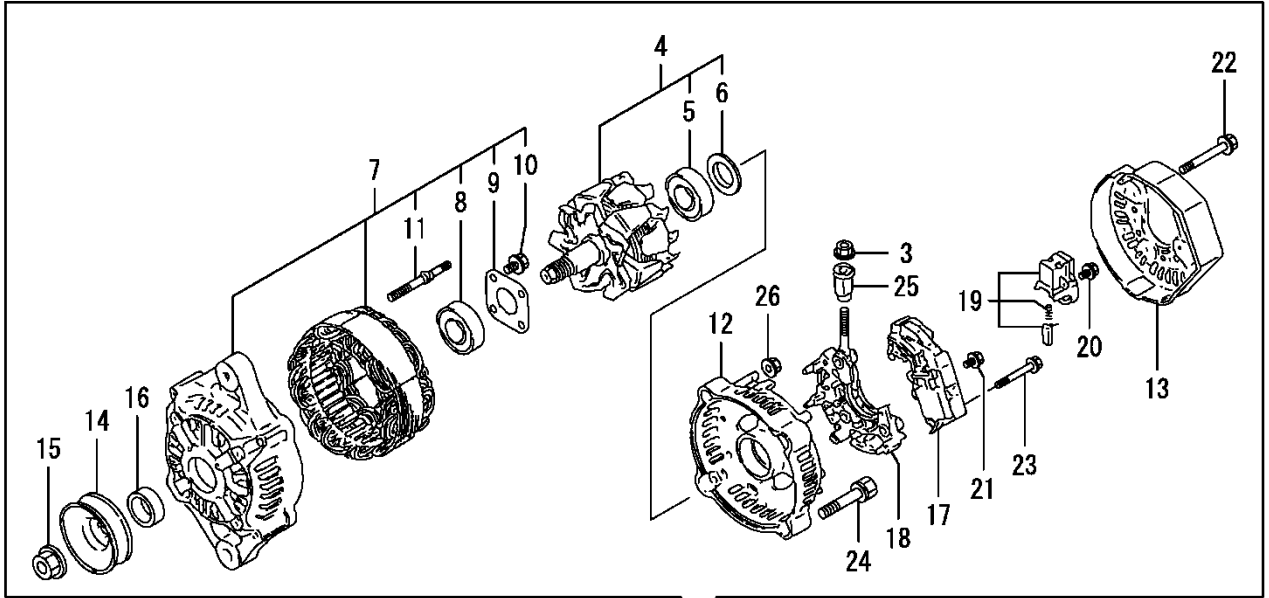
P1

YEAR

2017



RK55S / RK55SC



NOTE



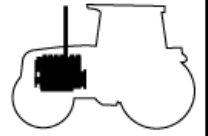
FIG 120

ELECTRONIC CONTROL UNIT

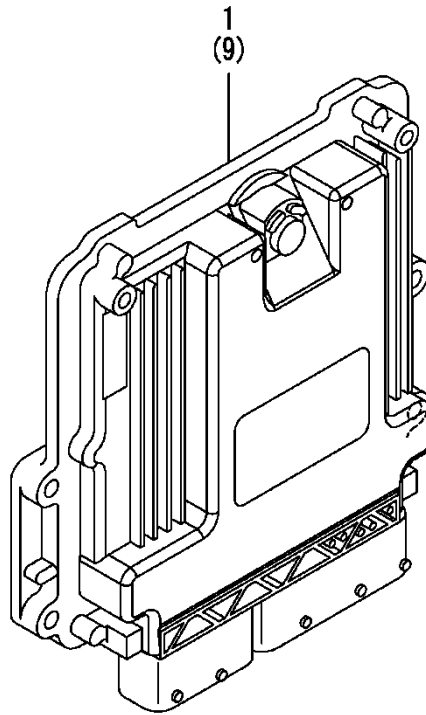
P1

YEAR

2017



RK55S / RK55SC



NOTE





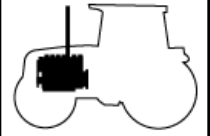
FIG 121

ELECTRIC PARTS

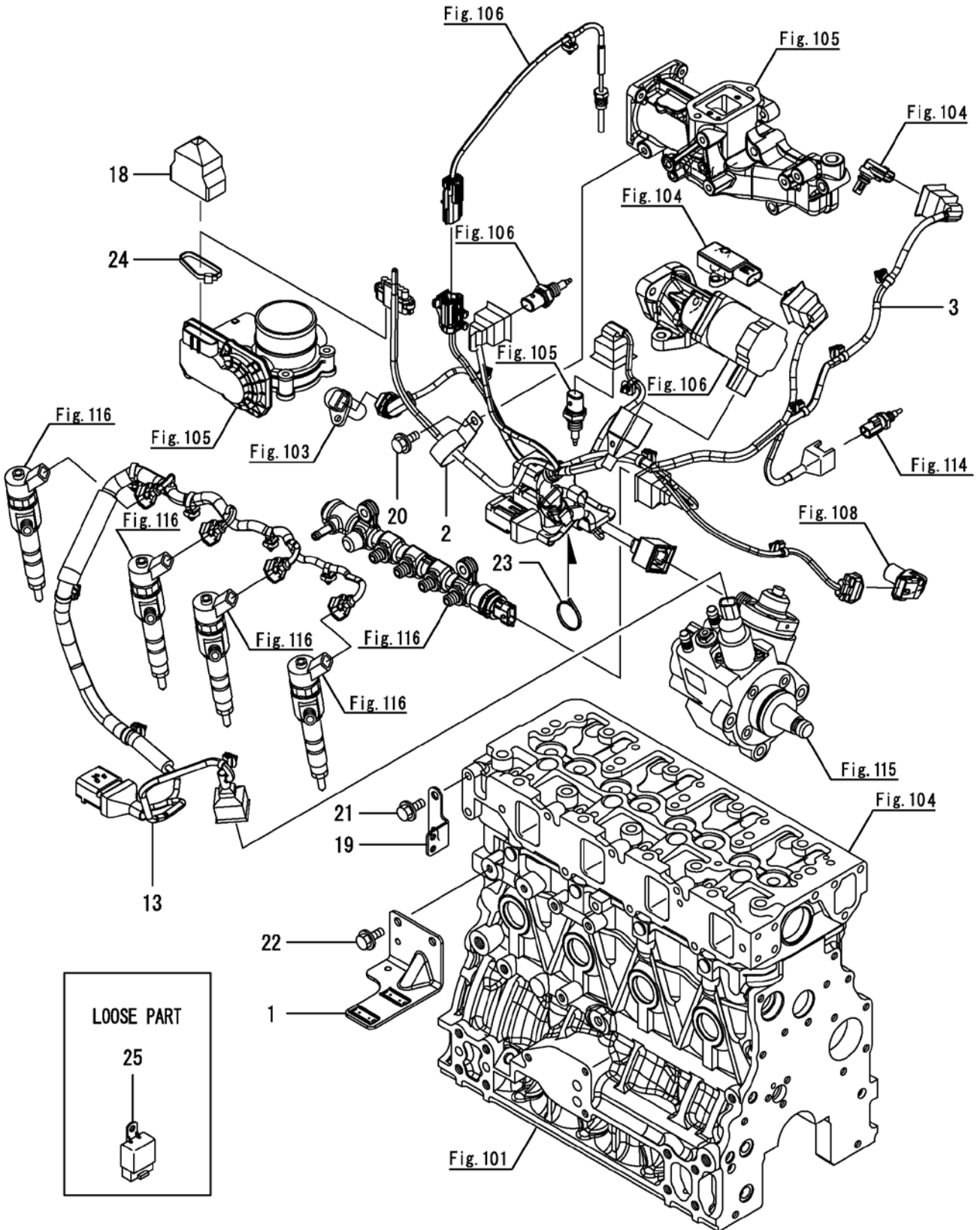
P1

YEAR

2017



RK55S / RK55SC



LOOSE PART

25



NOTE



FIG 122

RK55S / RK55SC

ACCESSORY

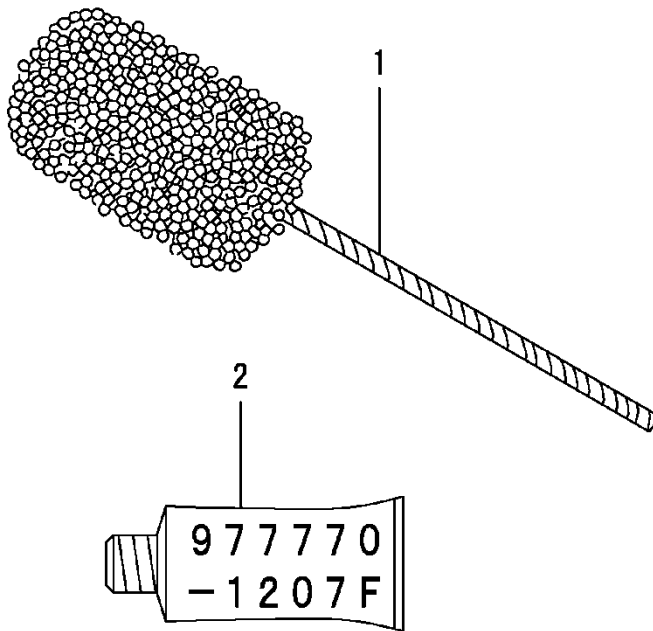
P1

YEAR

2017



OPTIONAL PARTS



NOTE



FIG 201

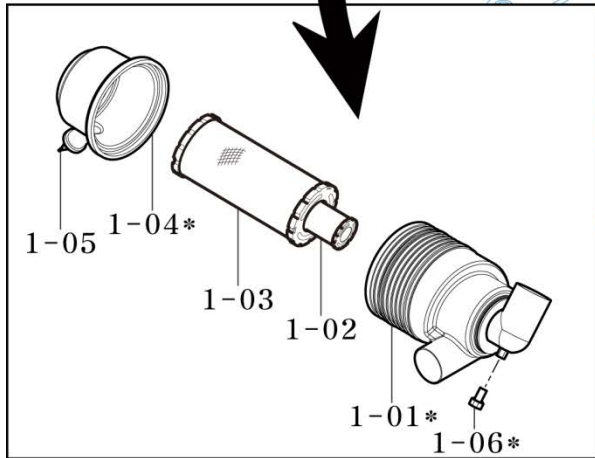
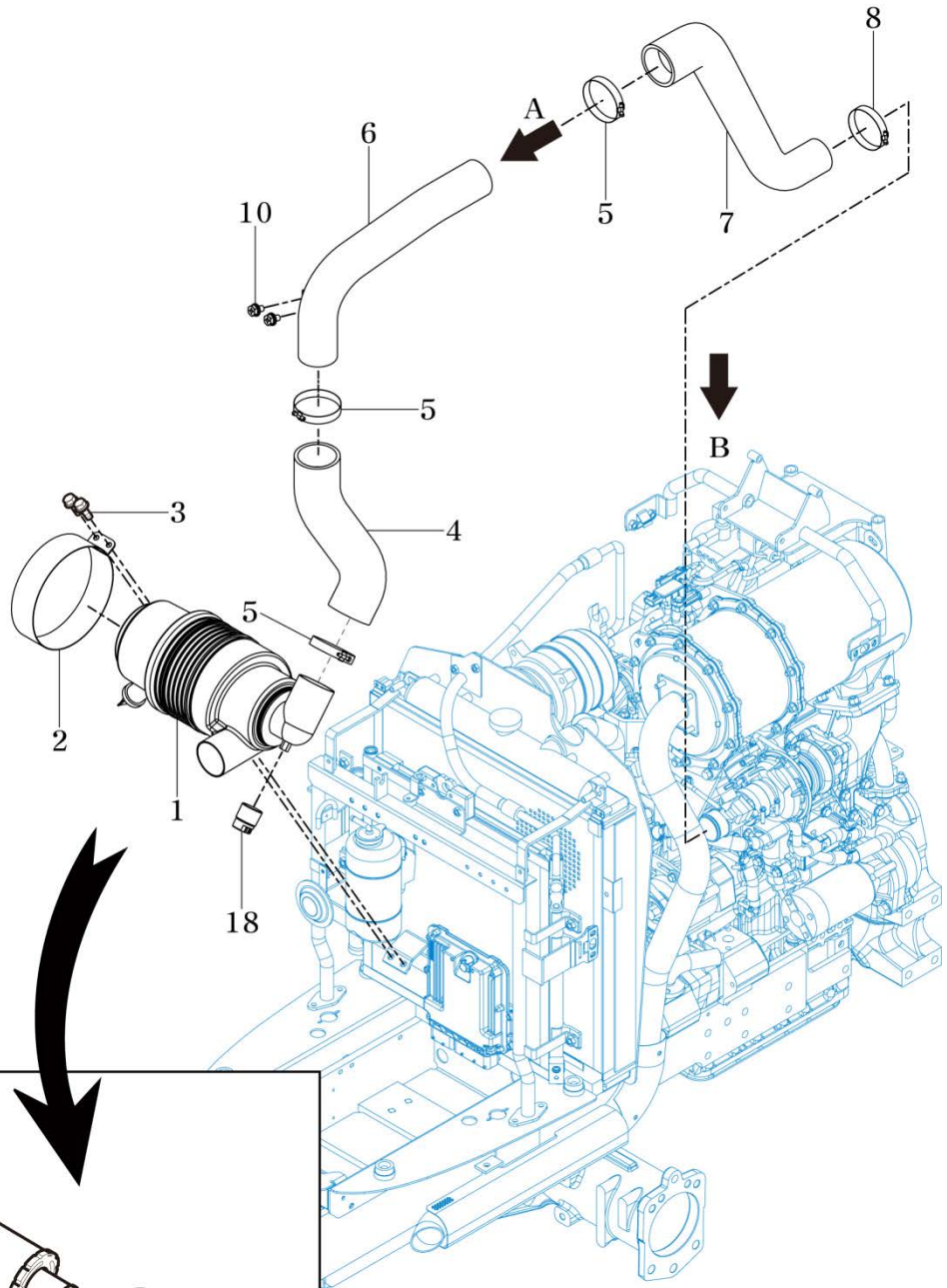
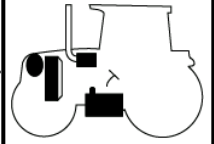
# AIR CLEANER

RK55S / RK55SC

P1

YEAR

2017



\*NOT SERVICED SEPARATELY

NOTE



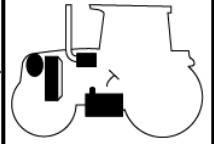
FIG 202

RADIATOR

P1

YEAR

2017



RK55S / RK55SC

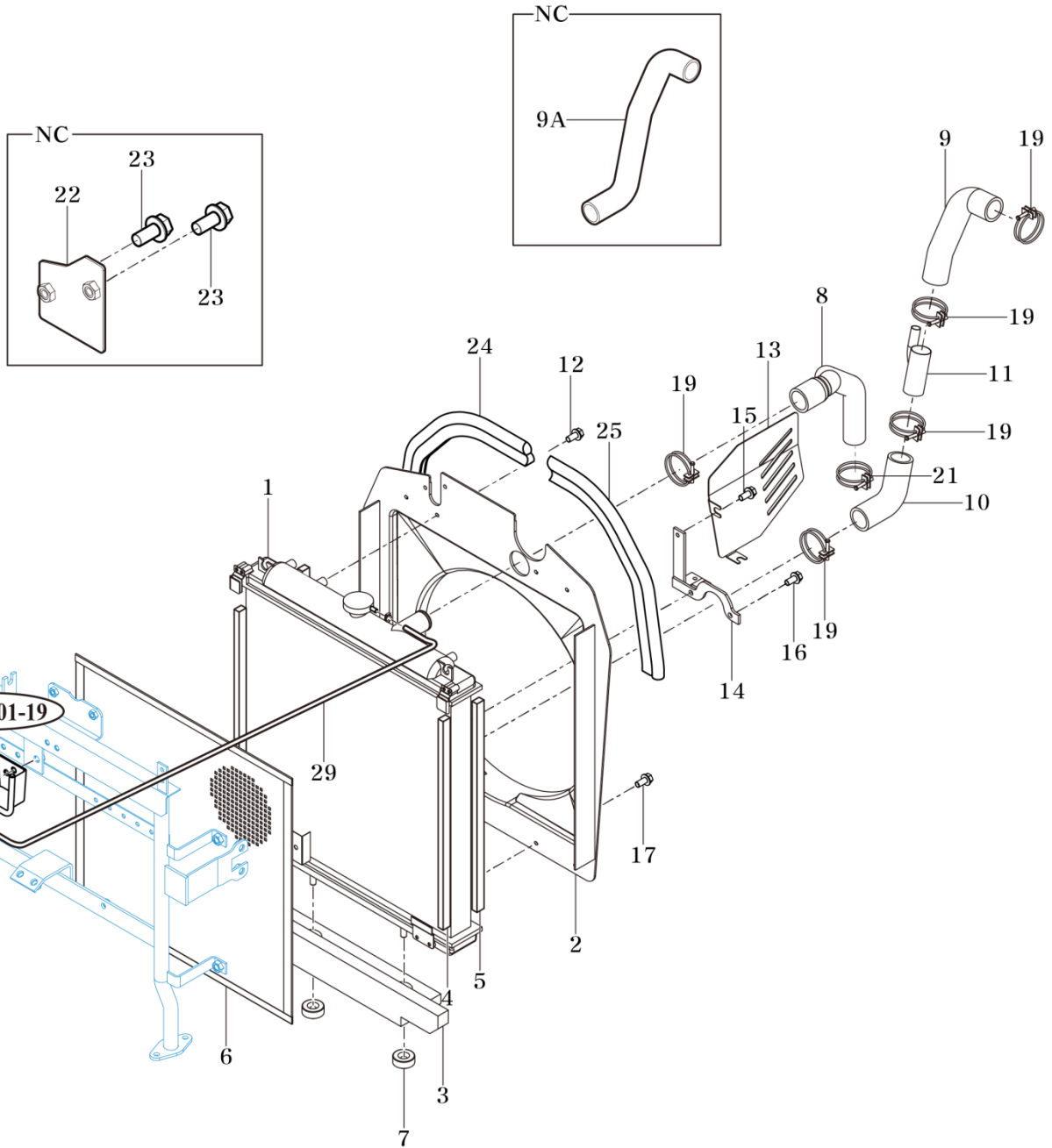



FIG. 701-19

NOTE



FIG 202		RADIATOR				P1	YEAR	
RK55S / RK55SC							2017	
KEY NO.	PART NO.	DESCRIPSTION	SPEC.	QTY.		REPAIR	EFFECTIVE DATE	REMARKS
				RK55SC	RK55S			
202	001	17461042100	RADIATOR SUB ASSY		1	1		
202	002	17461042201	SHROUD		1	1		
202	003	17461042350	SPONGE , UNDER		1	1		
202	004	14661042360	SPONGE , FRONT 500		2	2		
202	005	14661042340	SPONGE , SIDE 500		2	2		
202	006	17461042300GB	NET COMP , RADIATOR		1	1		
202	007	14526210301	CUSHION RUBBER , RADIATOR		2	2		
202	008	17461040010	HOSE , RADIATOR INLET		1	1		
202	009	17461040110	HOSE(RADIATOR/OUTLET)		1	-		-2016.11.19
202	009	17461040111	HOSE(RADIATOR/OUTLET)		1	-		2016.11.20-
202	009A	17471040110	HOSE(RADIATOR/OUTLET)		-	1		
202	010	17461040120	HOSE(RADIATOR/OUTLET)2		1	-		
202	011	14628202600	PIPE COMP		1	-		
202	012	V2323606016	BOLT , C/R HEX/SP	M6X16	4	4		
202	013	19951040090GB	SHIELD , RH		1	1		
202	014	17461040300GB	BRACKET COMP , SHELD RH		1	1		
202	015	V2183608012	BOLT , HEX/SP	M8X12	2	2		
202	016	V2123606020	BOLT , HEX/SP	M6X20	2	2		
202	017	V2323606016	BOLT , C/R HEX/SP	M6X16	2	2		
202	019	14241010040	CLIP , 45	45	5	5		
202	021	14801020070	CLAMP , 40	40	1	1		-2018.01.29
202	021	18027090400	BAND CLAMP 40 EMBO TYPE	40	1	1		2018.01.30-
202	022	17471042300GB	PLATE COMP		-	1		
202	023	V2323606016	BOLT , C/R HEX/SP	M6X16	-	2		
202	024	17461040330	INSULATOR 785		1	1		
202	025	17461040320	INSULATOR 570		1	1		
202	026	36753302201GB	HOLDER COMP , TANK/RESERVE		1	1		
202	027	V2183608025	BOLT , HEX/SP	M8X25	1	1		
202	028	16003302100	TANK ASSY , RESERVE		1	1		-2019.01.14
202	028	16003302101	TANK ASSY , RESERVE		1	1		2019.01.15-
202	029	17995010150	HOSE . 500		1	1		
202	030	36423600080	CLIP , HOSE D=12.5		2	2		

NOTE

FIG 203

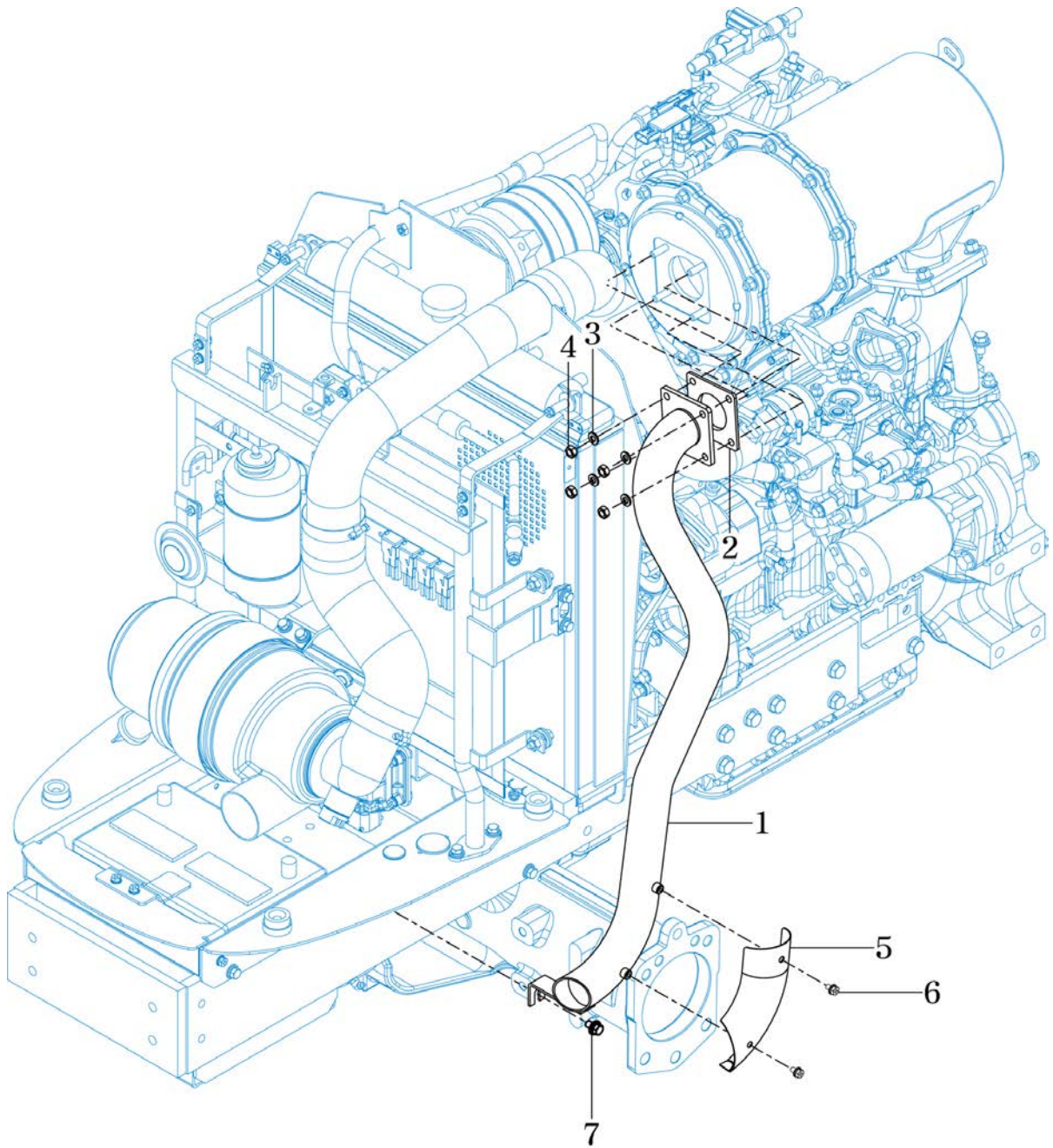
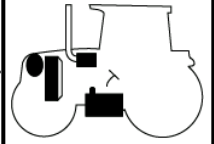
MUFFLER

RK55S / RK55SC

P1

YEAR

2017



NOTE



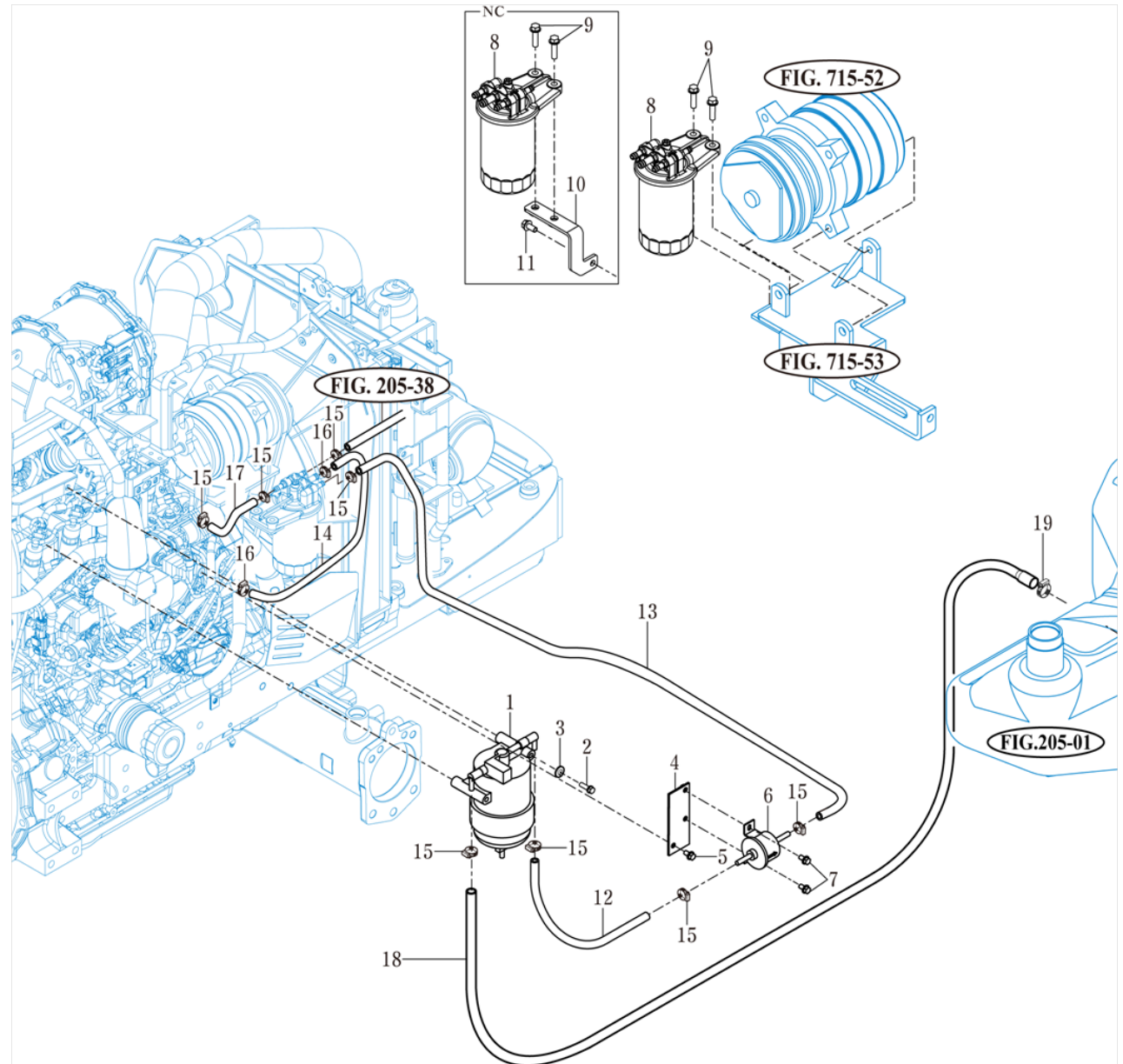
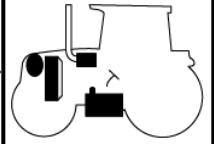
FIG 204

# FUEL HOSE & FILTER

P1

YEAR

2017



NOTE



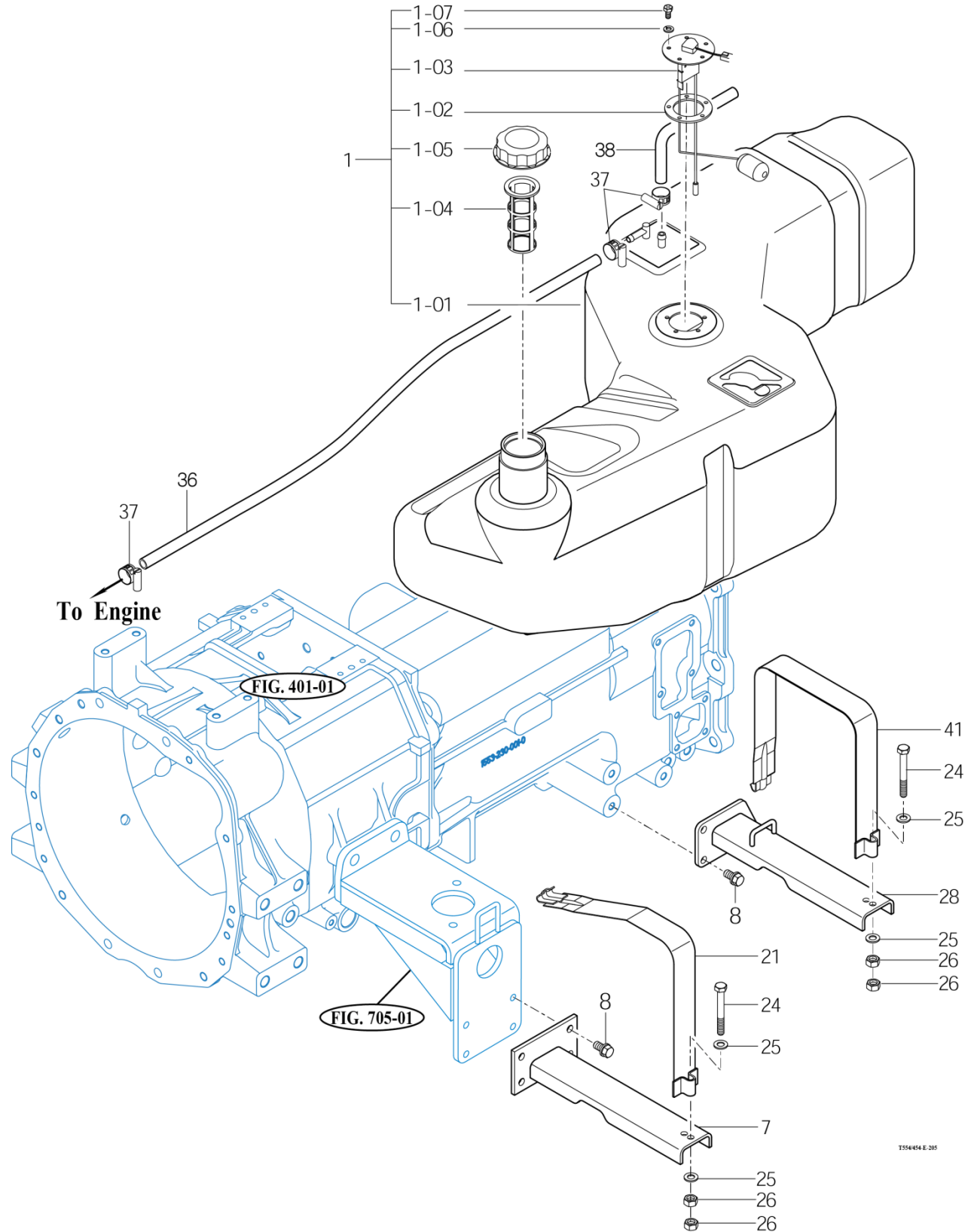
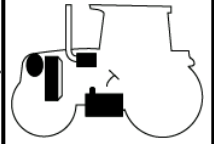
FIG 205

FUEL TANK

P1

YEAR

2017



T554454-E-205

NOTE

KEY NO.		PART NO.	DESCRIPTION	SPEC.	QTY.		REPAIR	YEAR	REMARKS
					RK55SC	RK55S		2017	
205		001	17461110000	TANK SUB ASSY , FUEL		1	1		
205	00101	14521112100	.TANK , FUEL		1	1		-2018.12.17	
205	00101	14521112101	.TANK , FUEL		1	1		2018.12.18~	
205	00102	17686642400	.PACKING , RUBBER		1	1			
205	00103	17466642300	.GAUGE , FUEL		1	1			
205	00104	16731112130	.FILTER		1	1			
205	00105	36523102201	.CAP ASSY , TANK		1	1			
205	00106	V4011600050	.WASHER , SPRING	M5	5	5			
205	00107	V2053605012	.BOLT , HEX C/R	M5X12	5	5			
205	007	14521114101GB	SUPPORT , FR		1	1			
205	008	V2173610020	BOLT , HEX/S	M10X20	7	7			
205	018	V4011600080	WASHER , SPRING	M8	2	2			
205	021	14521114300GB	BAND COMP . FR TANK		1	1			
205	024	V2013608065	BOLT , HEX	M8X70	2	2			
205	025	V4111600080	WASHER , PLAIN	M8	2	2			
205	026	V3042600080	NUT , HEX/2	M8	4	4			
205	028	14521114200GB	SUPPORT , RR		1	1			
205	036	17971020021	HOSE , 1400		1	1			
205	037	14501410050	CLAMP , WORM 14.5		3	3			
205	038	17461113500	HOSE ASSY , FUEL/RETURN		1	1			
205	041	14521114400GB	BAND COMP . R TANK		1	1			
NOTE									



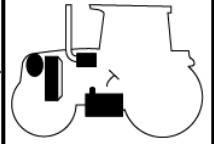
FIG 206

ACCELERATOR

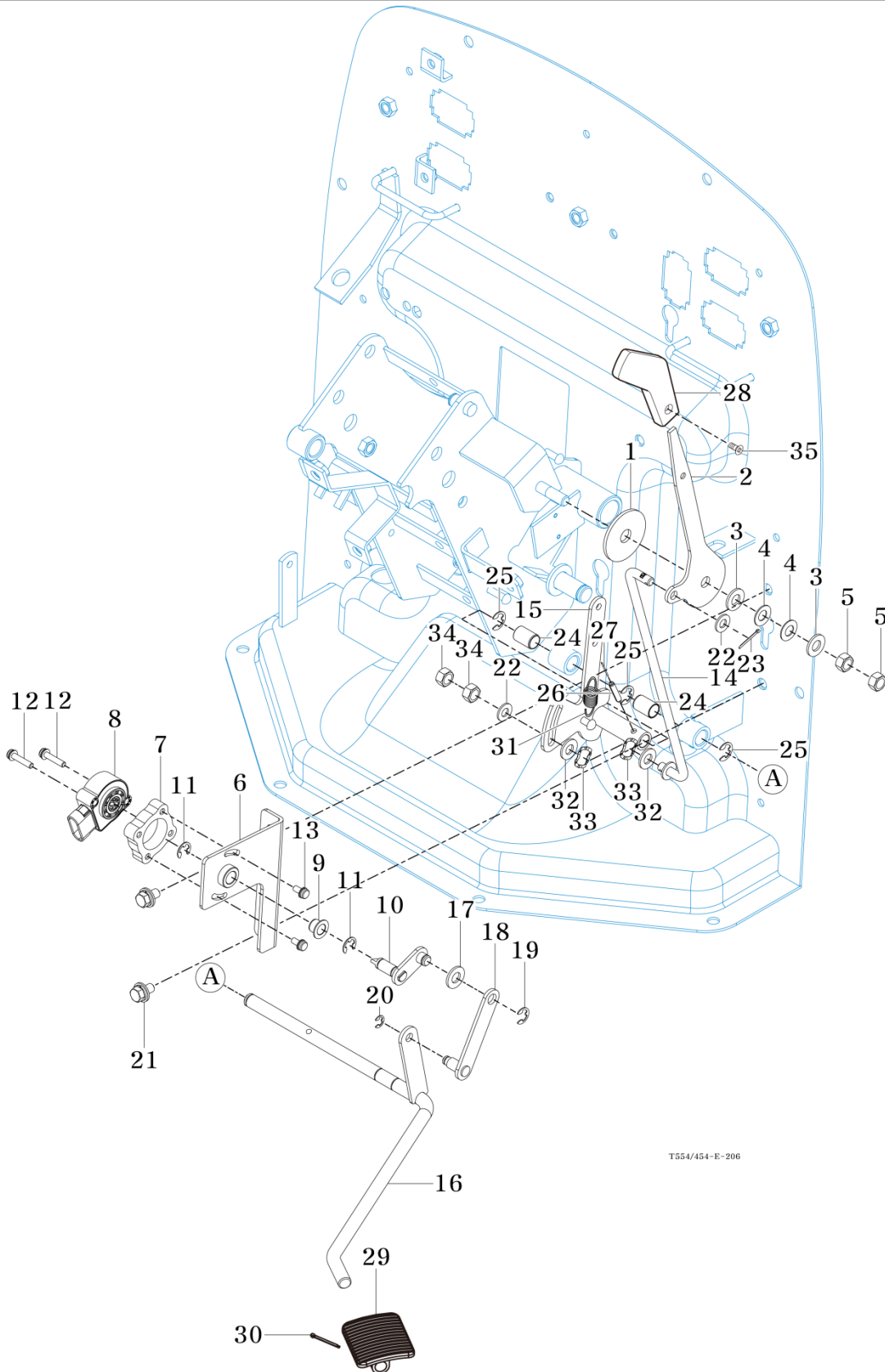
P1

YEAR

2017



RK55S / RK55SC



T554/454-E-206

NOTE





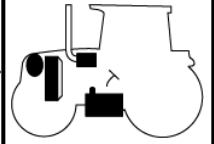
FIG 208

FAN , COOLING

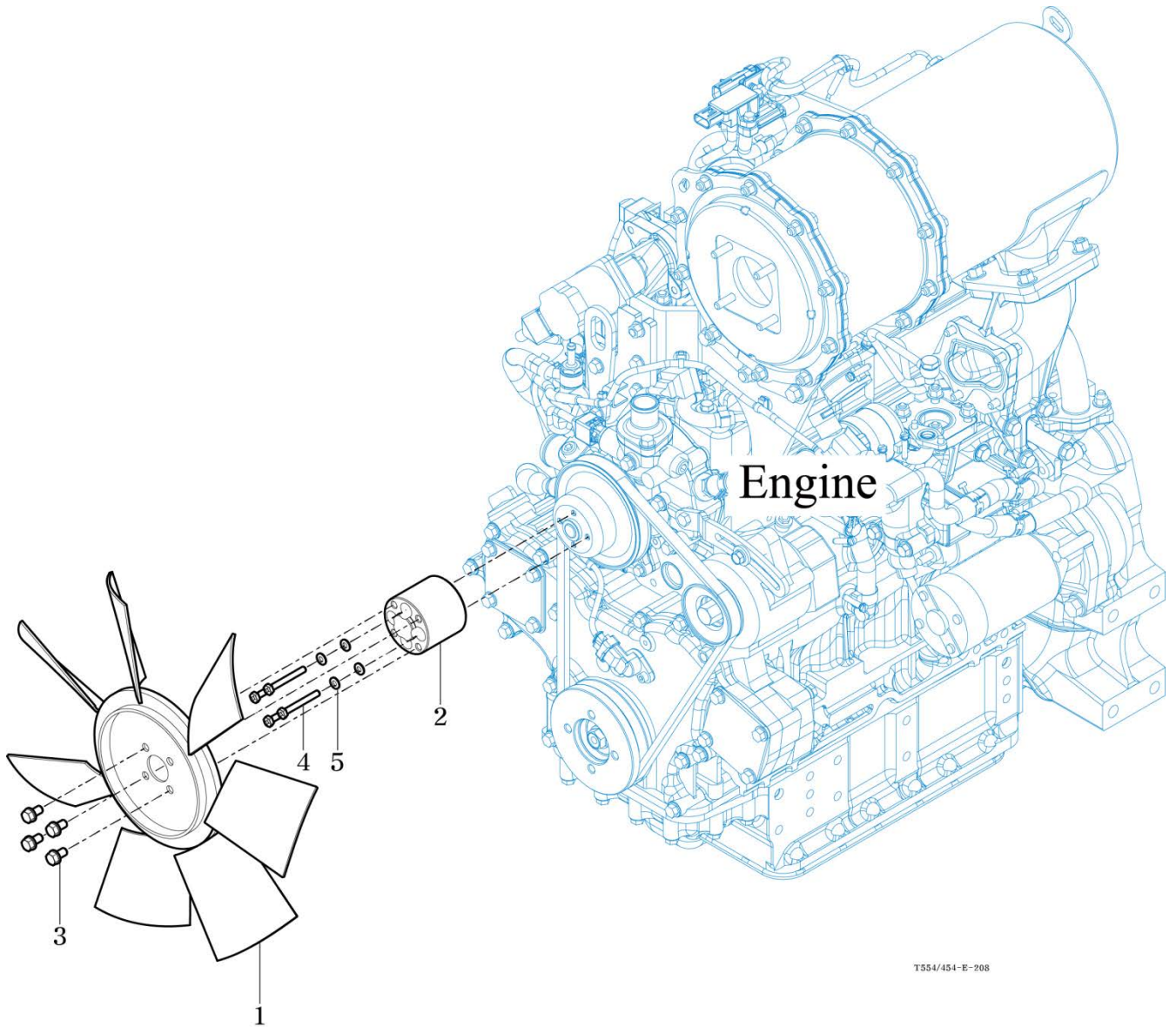
P1

YEAR

2017



RK55S / RK55SC



T354/454-E-208

NOTE



FIG 301

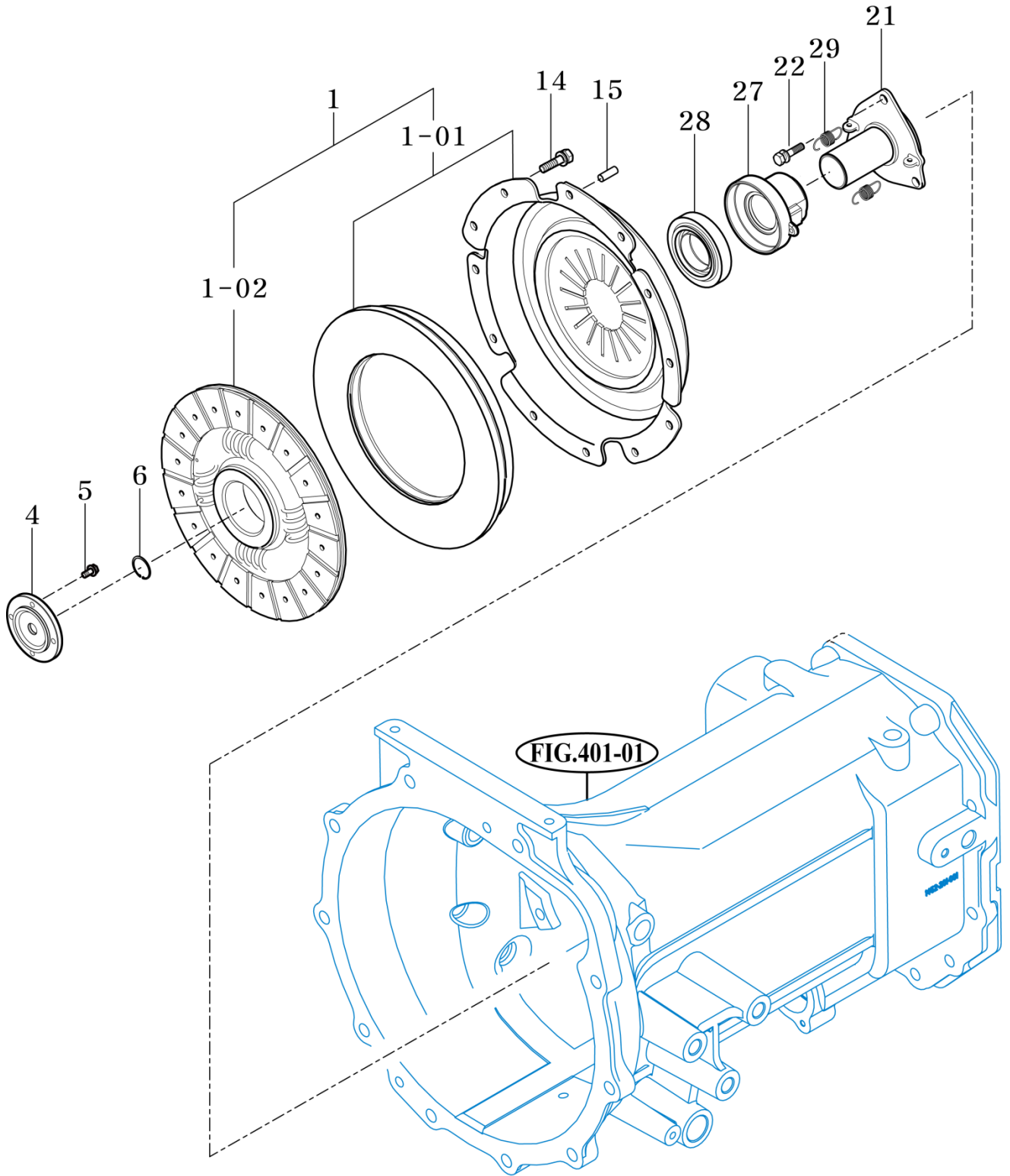
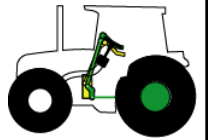
RK55S / RK55SC

CLUTCH

P1

YEAR

2017



T554ST/T554NC/T454ST/T454NC-E-301

NOTE



# FIG 302

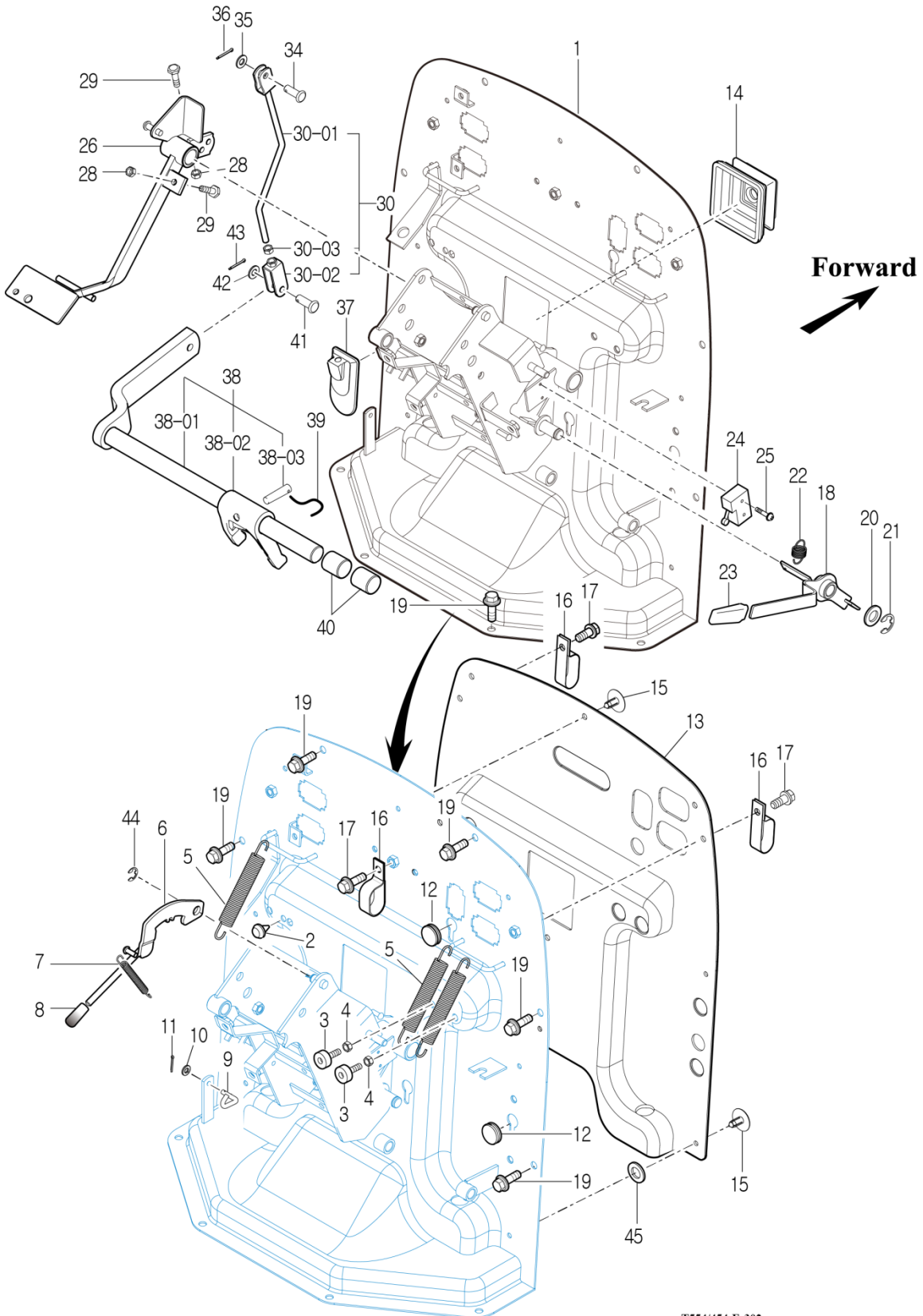
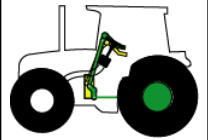
# CLUTCH PEDAL

RK55S / RK55SC

P1

YEAR

2017



T554/454-E-302

NOTE





FIG 303

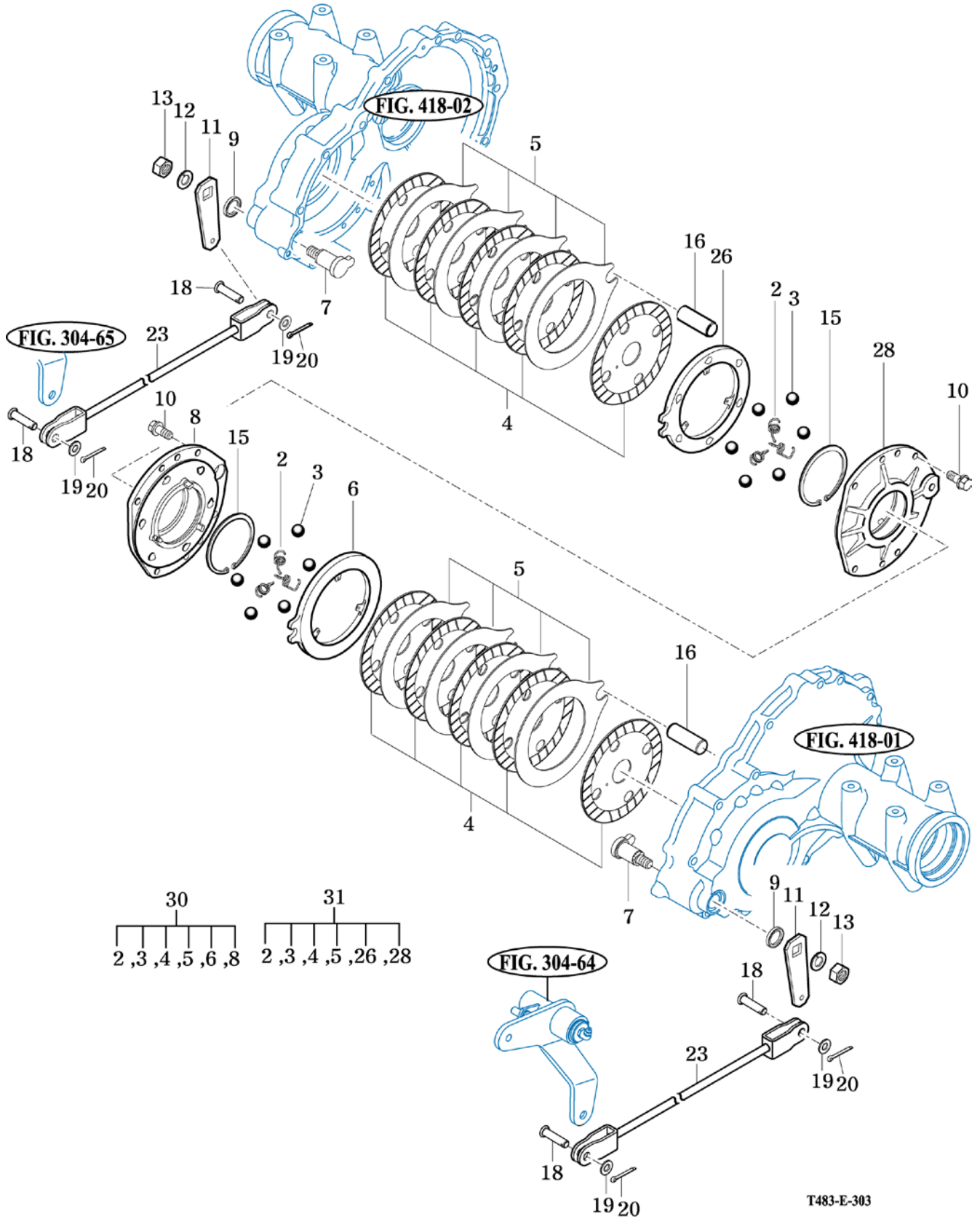
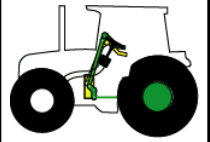
BRAKE

RK55S / RK55SC

P1

YEAR

2017



T483-E-303

NOTE





FIG 304

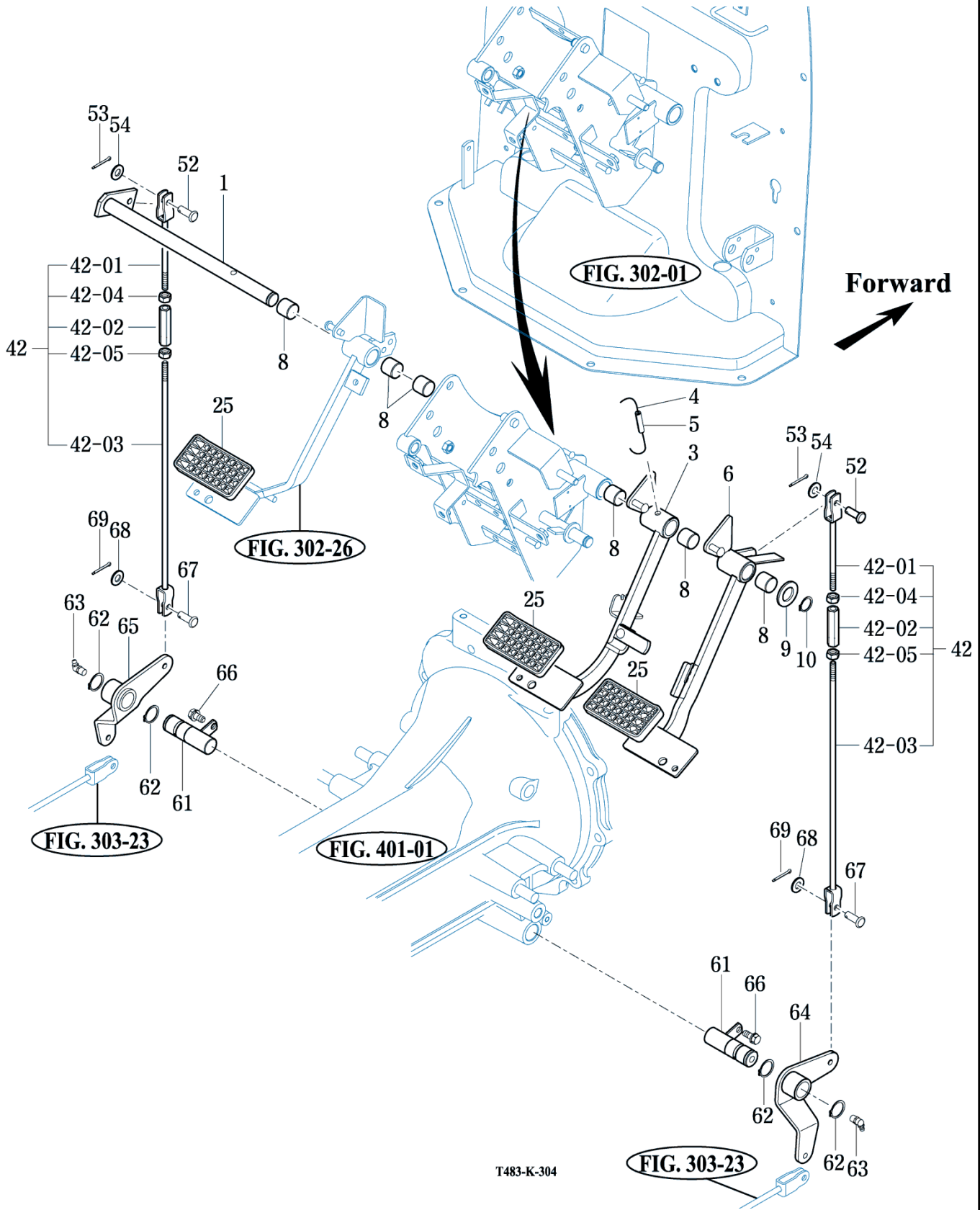
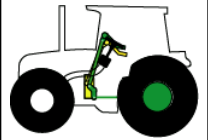
BRAKE PEDAL & LINK

RK55S / RK55SC

P1

YEAR

2017



T483-K-304

NOTE



FIG 305

FRONT WHEEL

RK55S / RK55SC

P1

YEAR

2017

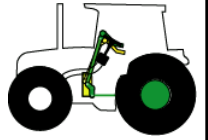
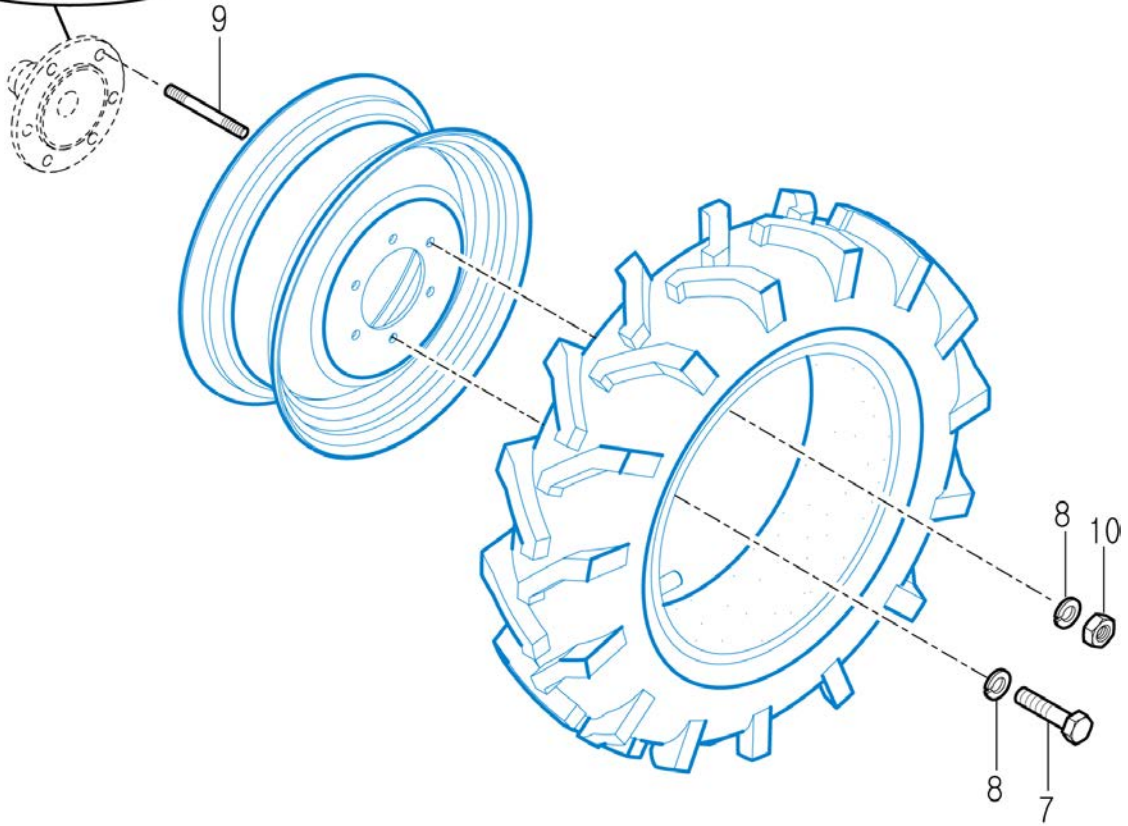


FIG. 507-034



T553-E-305B

NOTE



FIG 306

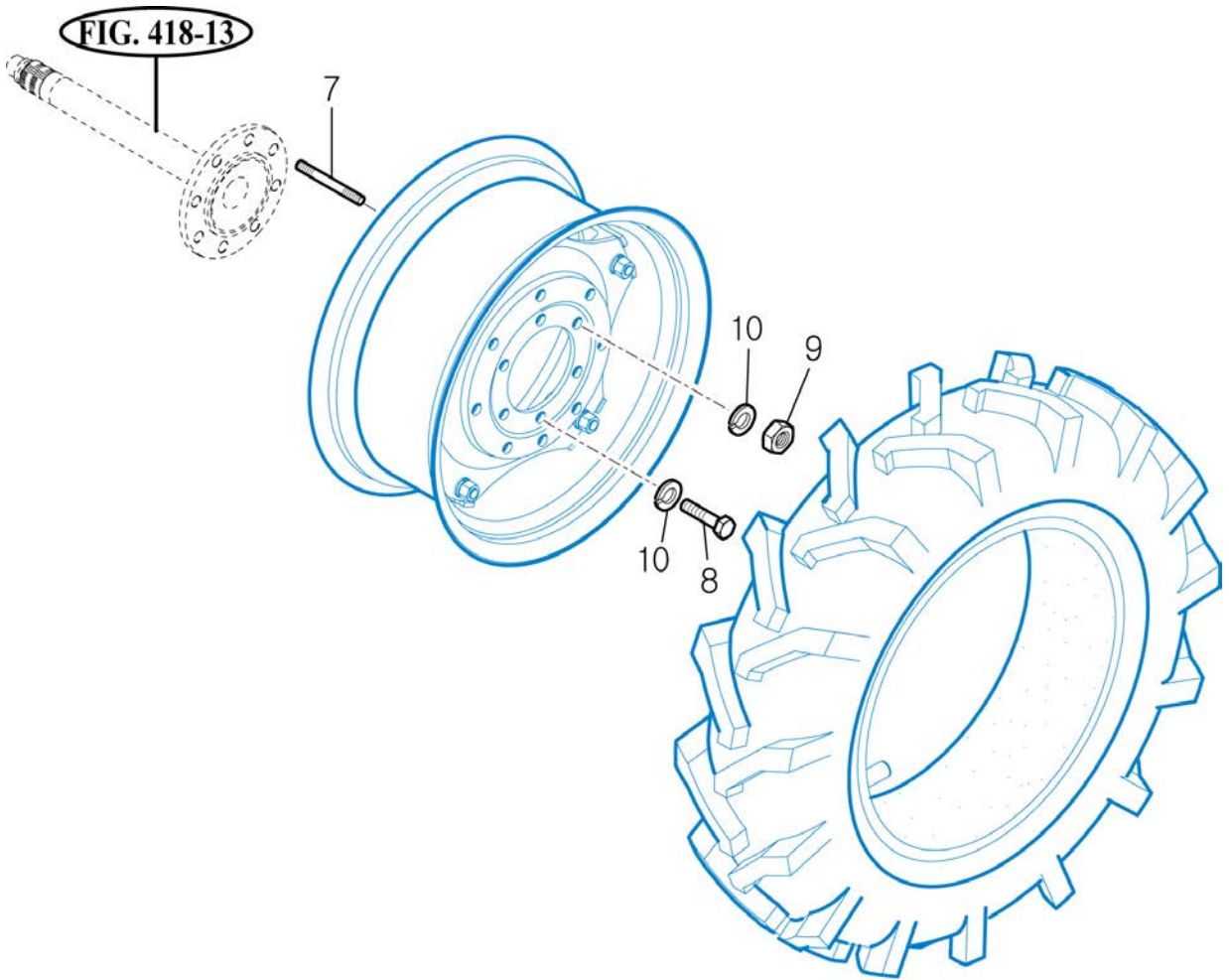
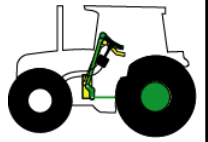
RK55S / RK55SC

# REAR WHEEL

P1

YEAR

2017



T553-E-306A

NOTE

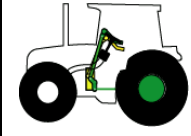
FIG 306 RK55S / RK55SC		REAR WHEEL				P1	YEAR		
							2017		
KEY NO.	PART NO.	DESCRIPTION	SPEC.	QTY.		REPAIR	EFFECTIVE DATE	REMARKS	
				RK55SC	RK55S				
306	007	V2014616030	BOLT , HEX	M16X30	8	8			
306	008	V4011600160	WASHER , SPRING	M16	12	12			
306	009	15603200010	BOLT , STUD M16X30		4	4			
306	010	V3043600160	NUT , HEX/2	M16	4	4			
NOTE									

FIG 307

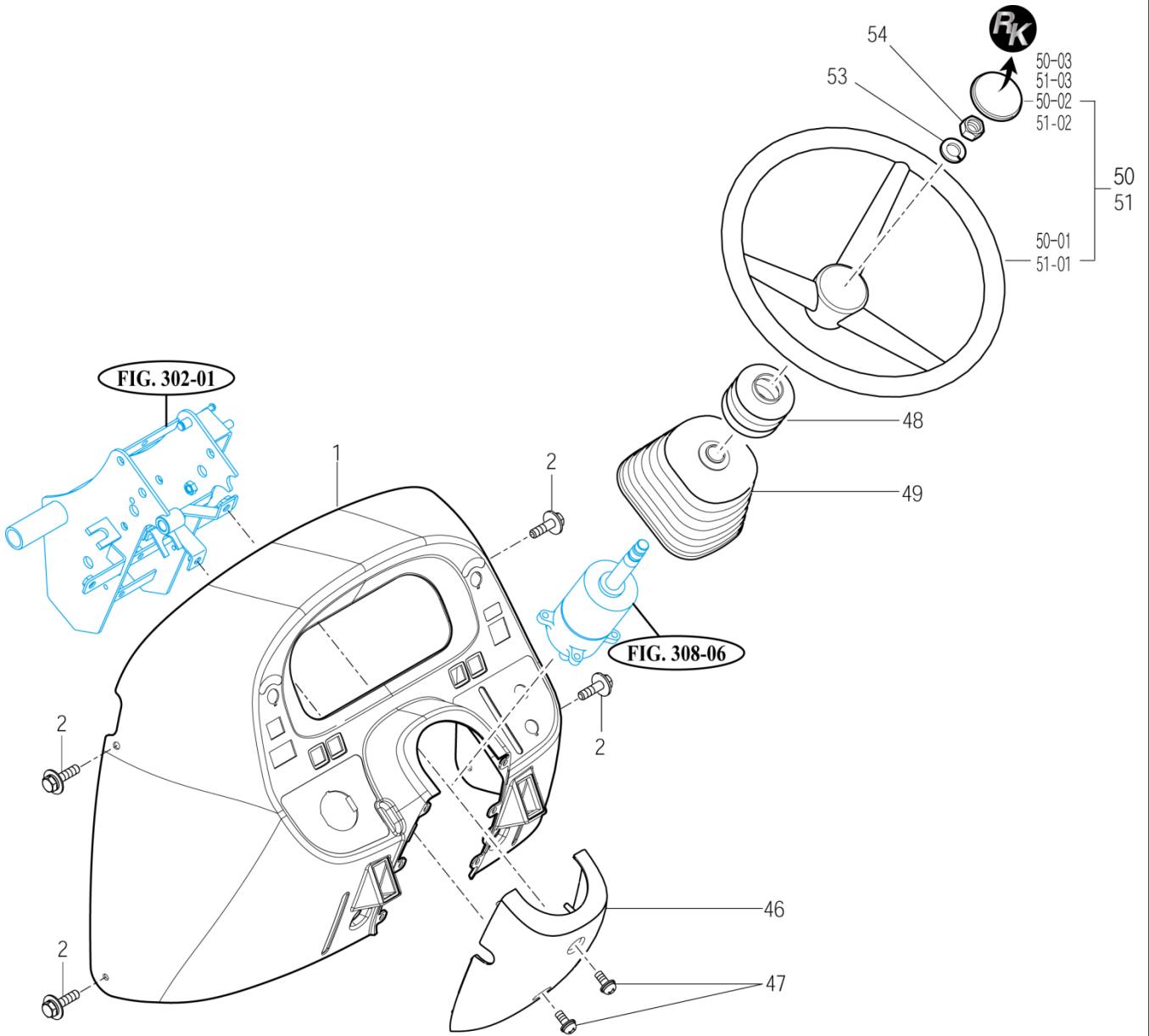
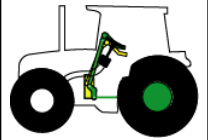
RK55S / RK55SC

POWER STEERING WHEEL

P1

YEAR

2017



1854054E-307

NOTE



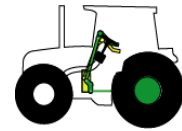
FIG 307

POWER STEERING WHEEL

P1

YEAR

2017



RK55S / RK55SC

KEY NO.	PART NO.	DESCRIPSTION	SPEC.	QTY.		REPAIR	EFFECTIVE DATE	REMARKS
				RK55SC	RK55S			
307	001	15537078511	COVER, RR/DASH	T=3	1	-	-2018.05.01	
307	001	15537078512	COVER, RR/DASH	T=3	1	-	2018.05.02-	
307	001	15537078511NG	COVER, RR/DASH	T=3	-	1	-2018.05.01	
307	001	15537078512NG	COVER, RR/DASH	T=3	-	1	2018.05.02-	
307	002	V2193606020	BOLT , HEX/SPL	M6X20	4	4		
307	046	14527078521	COVER, FR/DASH	T=3	1	-	-2018.02.18	
307	046	14527078522	COVER, FR/DASH	T=3	1	-	2018.02.19-	
307	046	14527078521NG	COVER, FR/DASH	T=3	-	1	-2018.12.31	
307	046	14527078522	COVER, FR/DASH	T=3	-	1	2019.01.01-	
307	047	V2163608020	BOLT , HEX/P	M8X20	4	4		
307	048	16994011990	BOOT , STEERING		1	1		
307	049	14724010052	BOOT , TILT	T=1.5	1	1		
307	050	10514012000	WHEEL ASSY , STEERING		-	1		
307	05001	14674012100	.WHEEL STEERING		-	1		
307	05002	16994012020	.COVER , STEERING		-	1		
307	05103	10517322130	.LABEL		-	1		
307	051	10524012000	WHEEL ASSY , STEERING		1	-		
307	05101	14724012100	.WHEEL STEERING		1	-		
307	05102	16994012020	.COVER , STEERING		1	-		
307	05003	10517322130	.LABEL		1	-		
307	053	V4011600160	WASHER , SPRING	M16	1	1		
307	054	V3343600160	NUT , HEX FINE/2	M16	1	1		

NOTE

FIG 308

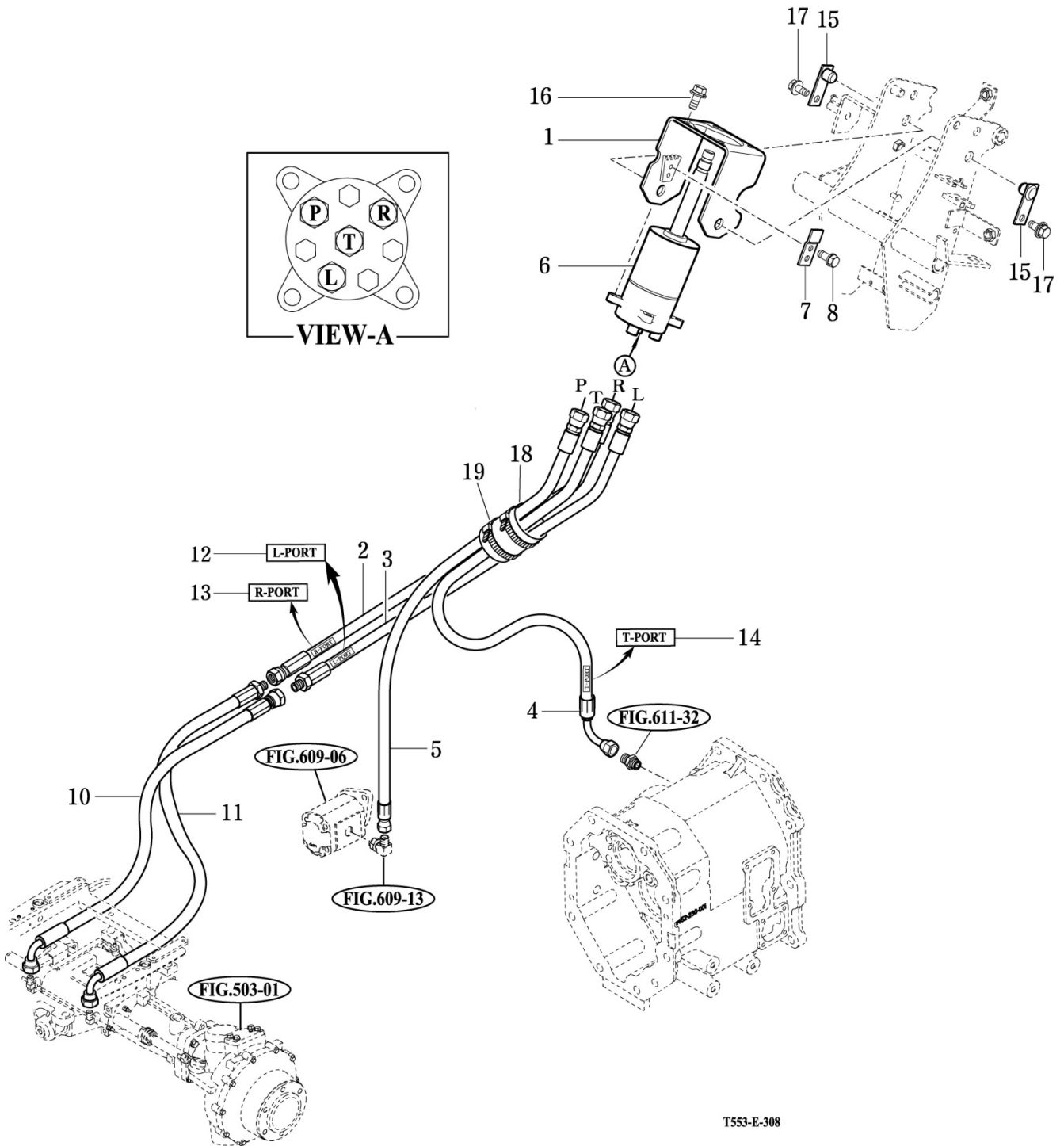
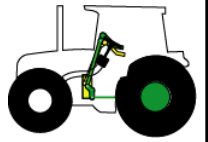
RK55S / RK55SC

POWER STEERING VALVE

P1

YEAR

2017



T553-E-308

NOTE



FIG 309

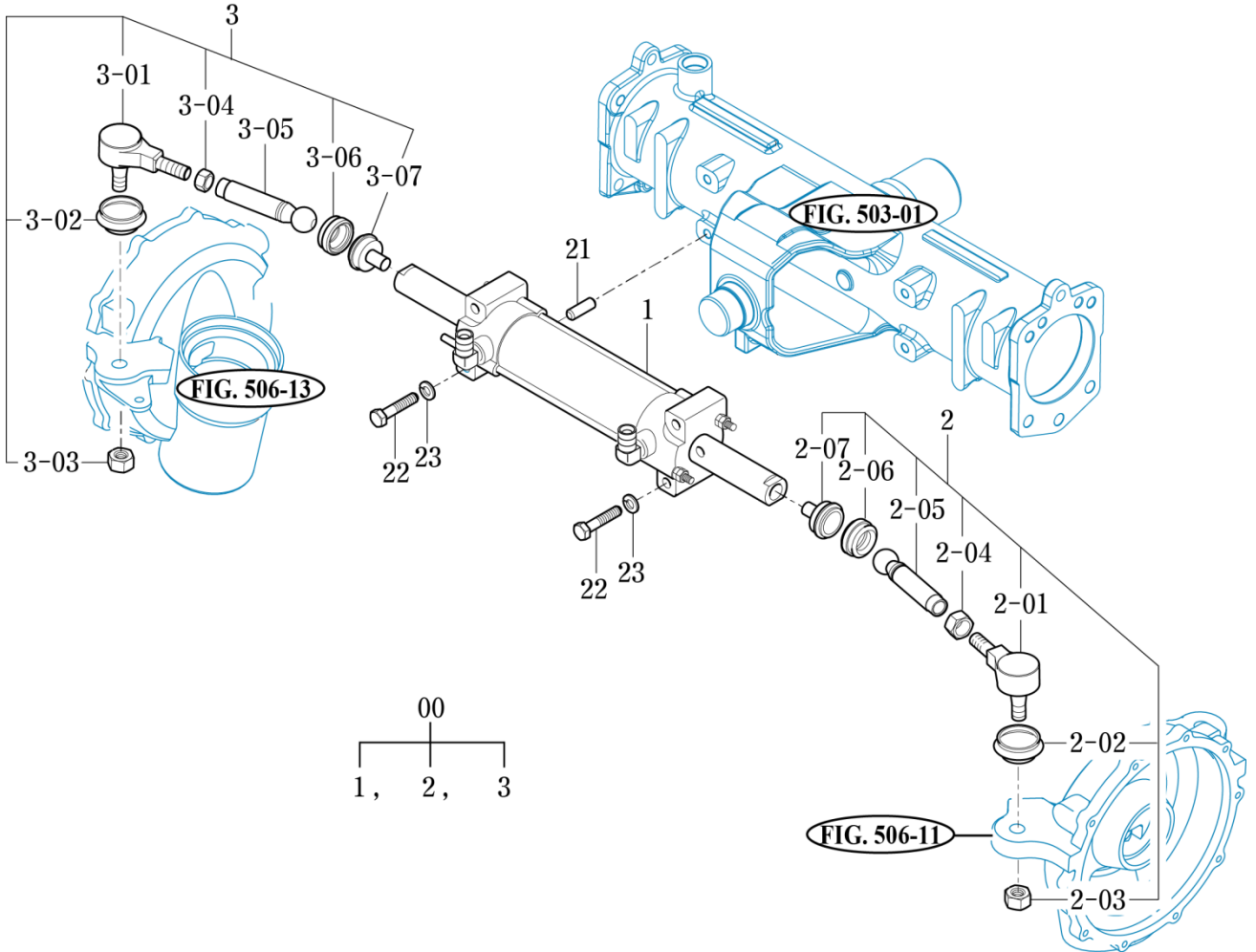
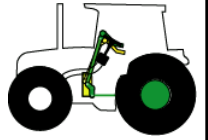
POWER STEERING CYLINDER

RK55S / RK55SC

P1

YEAR

2017



T554NH/T554SH/T454NH E-309

NOTE



FIG 401

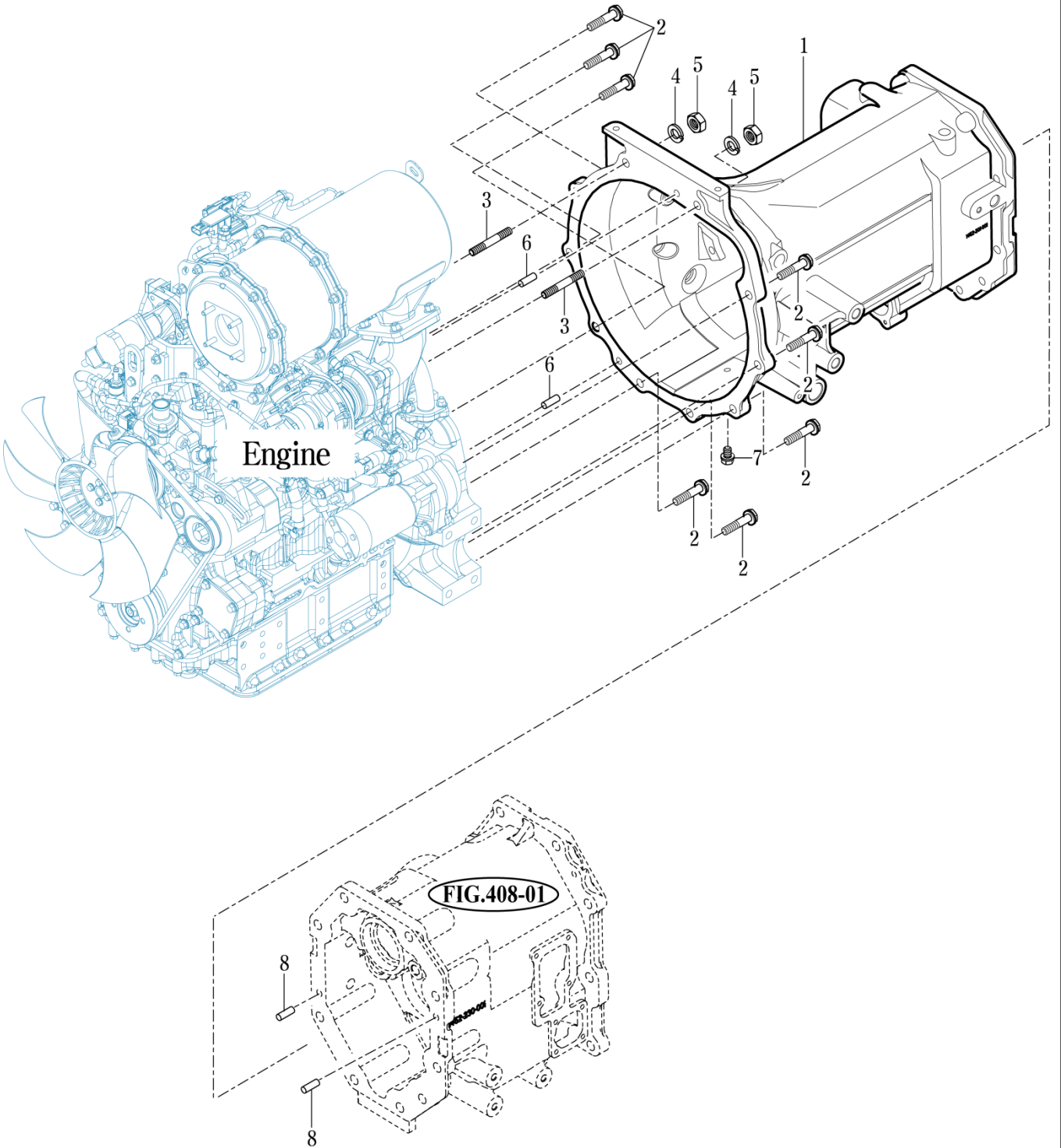
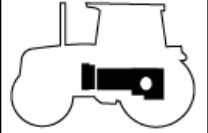
TRANSMISSION FRONT CASE

RK55S / RK55SC

P1

YEAR

2017



NOTE



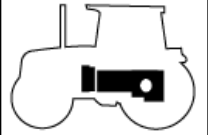
FIG 402

FORWARD & BACKWARD GEARS

P1

YEAR

2017



RK55S / RK55SC

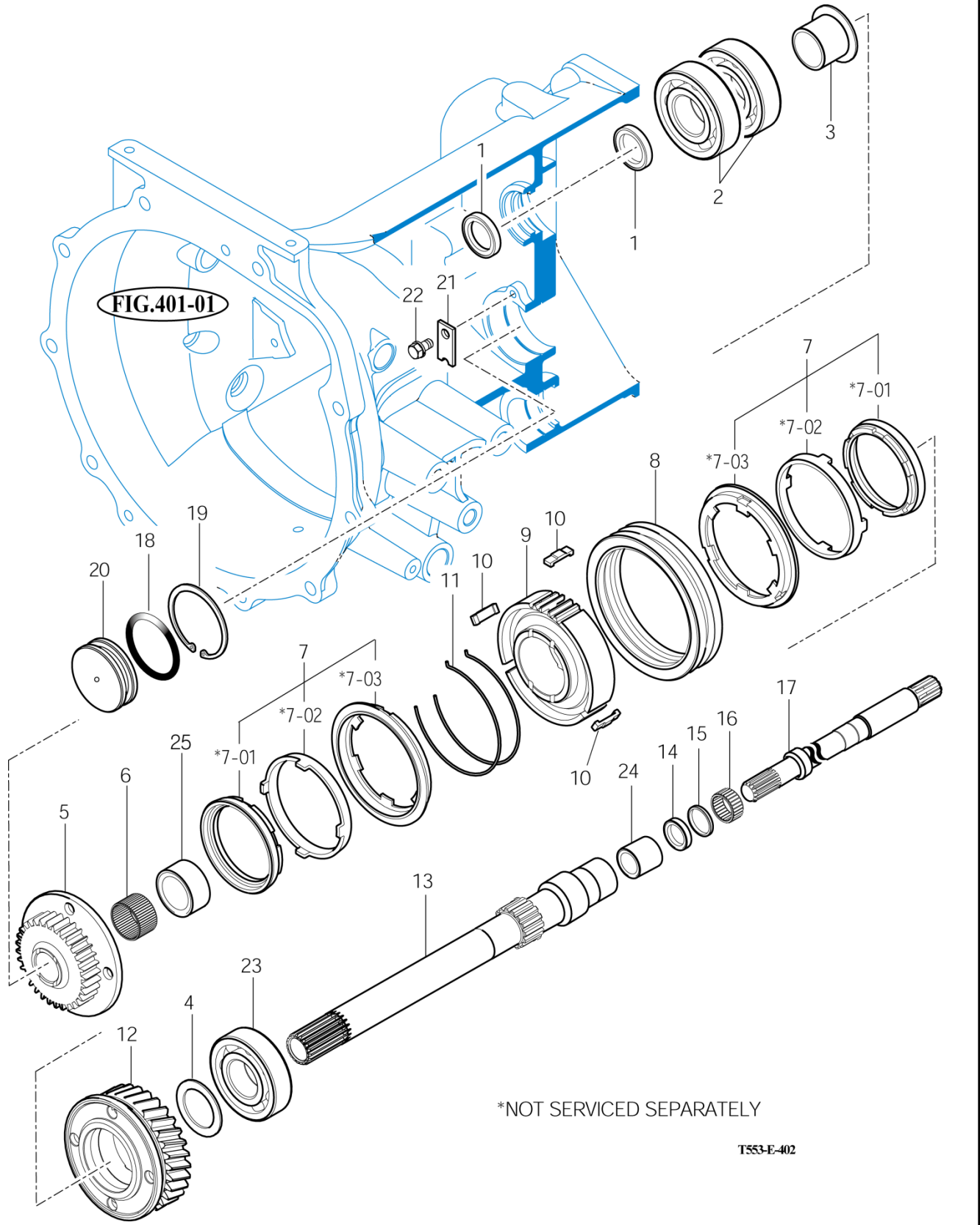


FIG.401-01

\*NOT SERVICED SEPARATELY

T553-E-402

NOTE





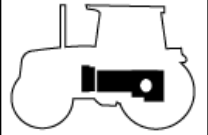
FIG 403

IDLE & COUNTER GEARS

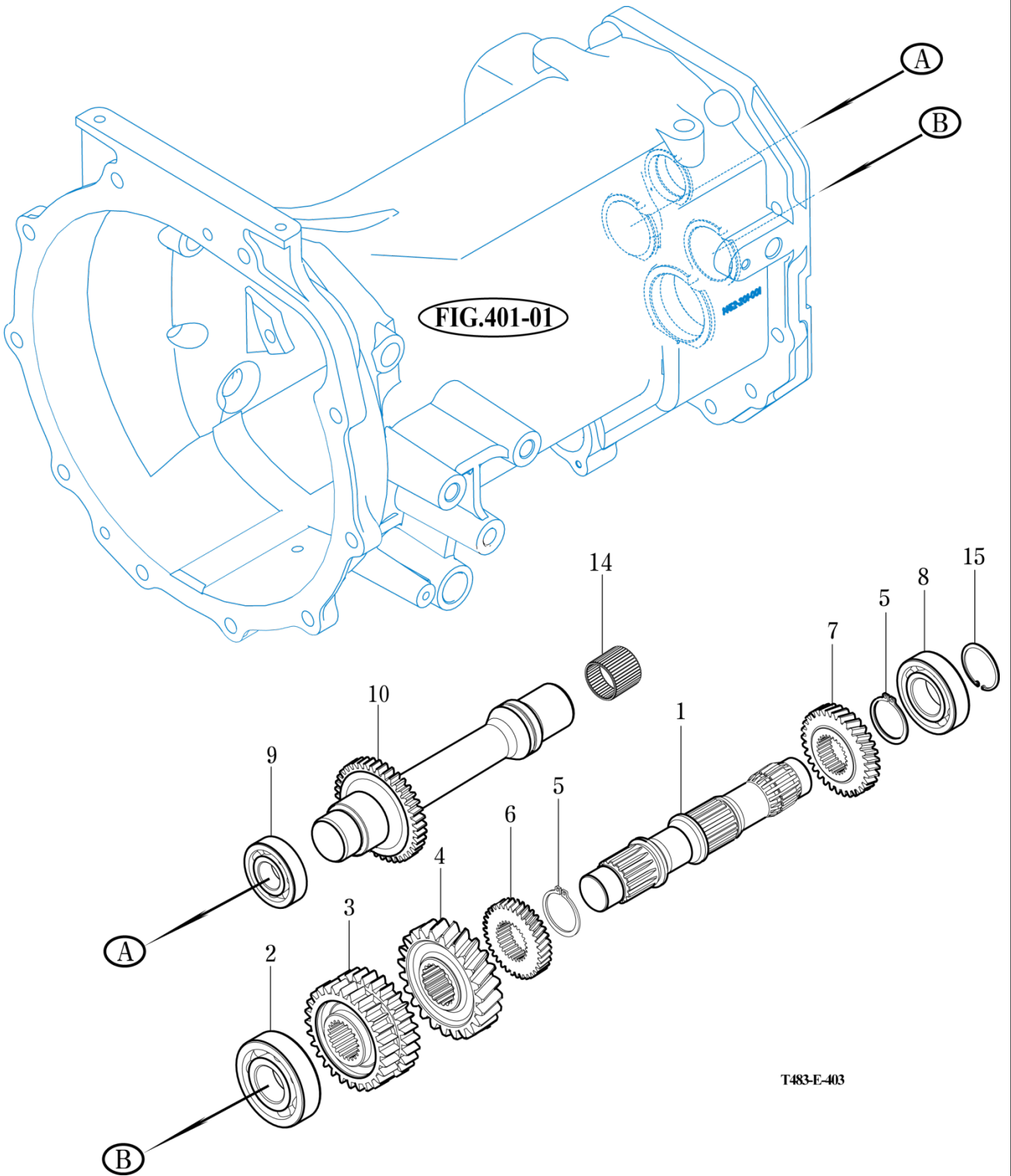
P1

YEAR

2017



RK55S / RK55SC



T483-E-403

NOTE



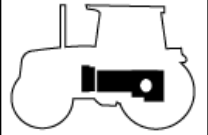
FIG 404

MAIN SHIFT GEARS

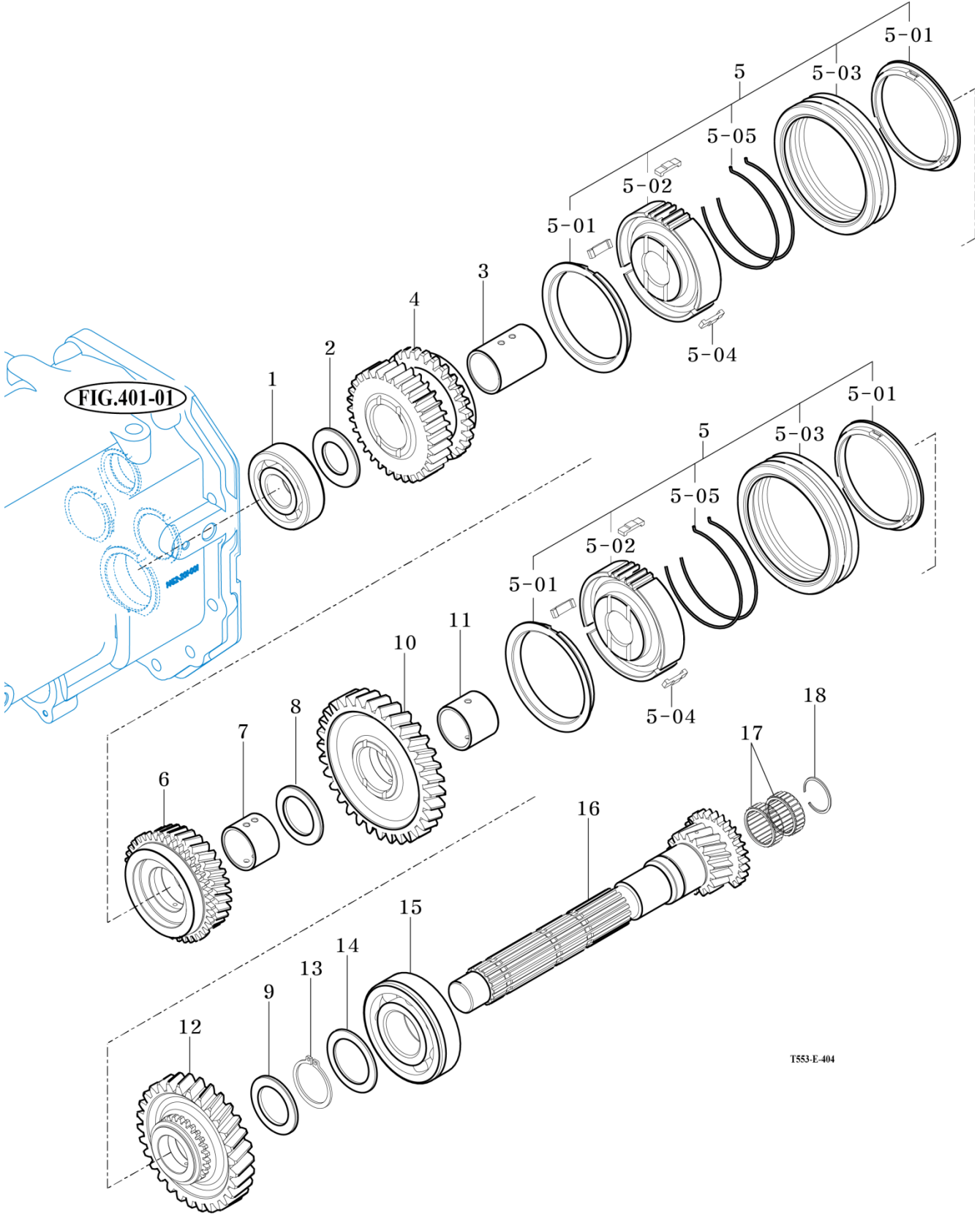
P1

YEAR

2017



RK55S / RK55SC



T553-E-404

NOTE



FIG 405

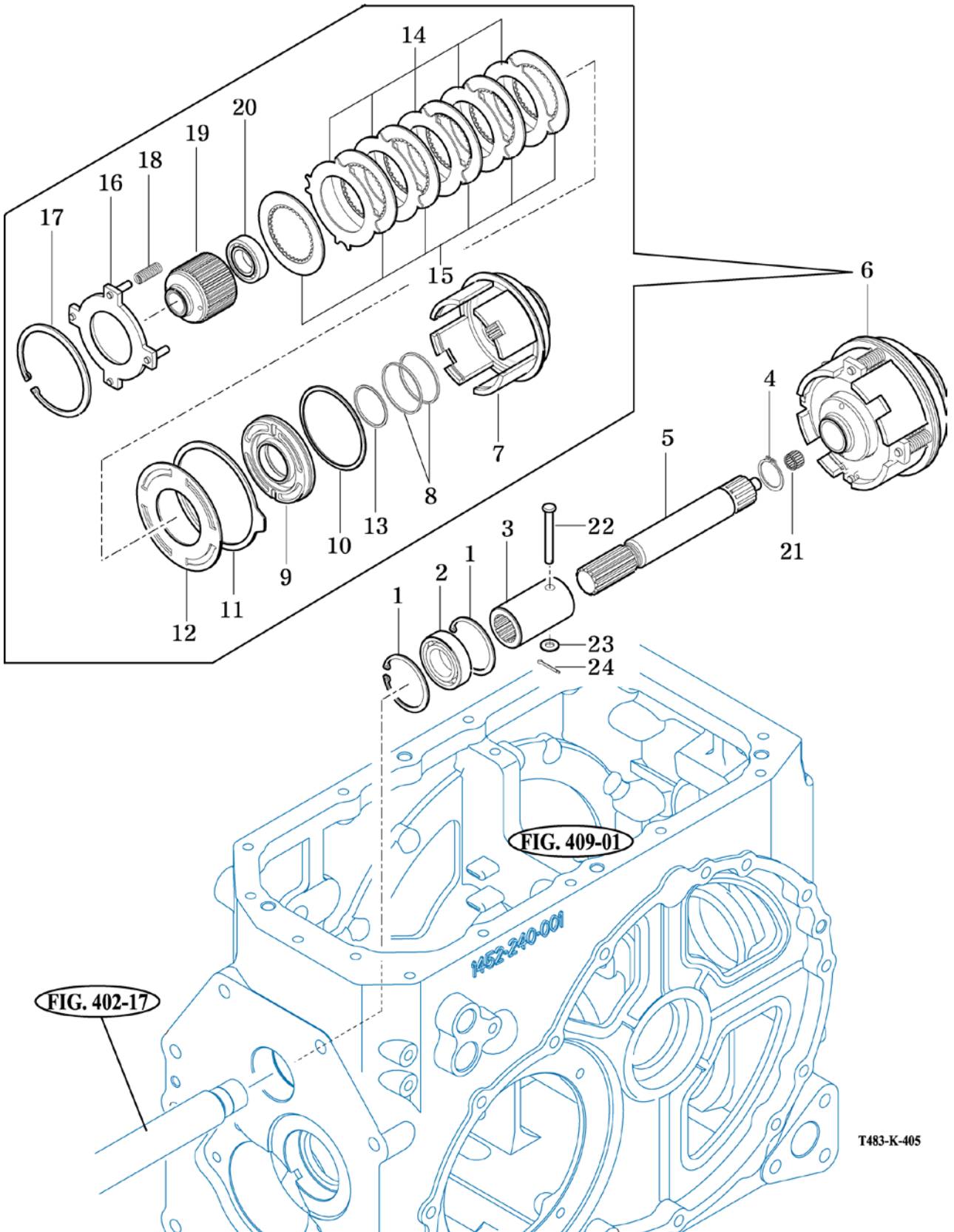
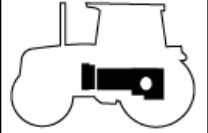
P.T.O DRIVE SHAFT

RK55S / RK55SC

P1

YEAR

2017



T483-K-405

NOTE



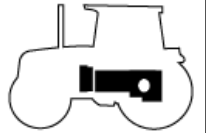
FIG 406

MAIN CHANGE LEVER

P1

YEAR

2017



RK55S / RK55SC

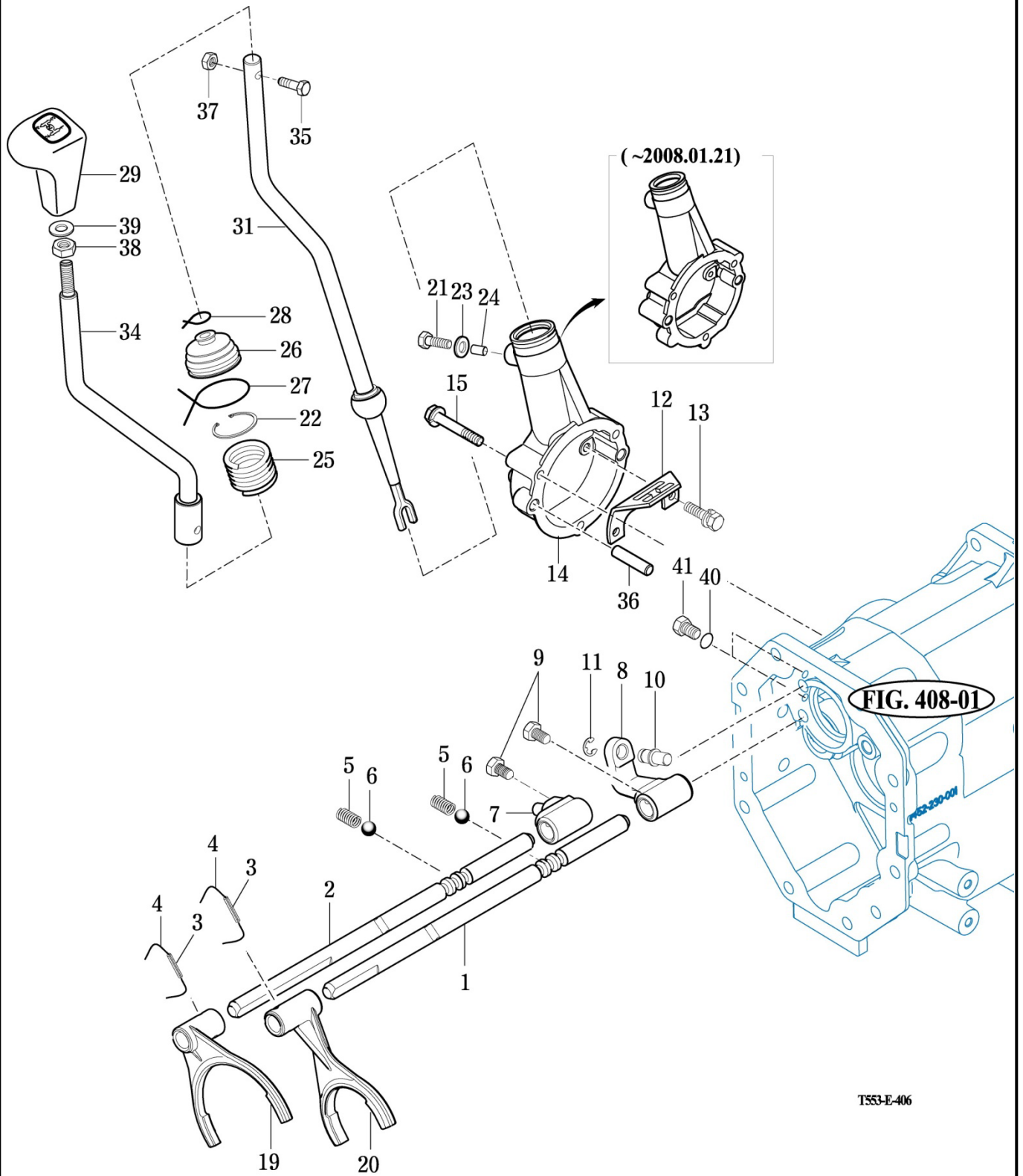


FIG. 408-01

T553-E-406

NOTE



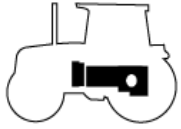
KEY NO.		PART NO.	DESCRIPSTION	SPEC.	QTY.		REPAIR	YEAR	REMARKS
					RK55SC	RK55S		2017	
FIG 406		MAIN CHANGE LEVER			P1				
RK55S / RK55SC									
406	001	14522230062	STAY , SHIFTER 1-2		1	1			
406	002	14522230053	STAY , SHIFTER 3-4		1	1			
406	003	V5801406025	PIN , SPRING	6X25	2	2			
406	004	V5901010150	WIRE , STEEL	1.0X150	2	2			
406	005	13022250030	SPRING , SHIFTER	D=1.4	2	2			
406	006	V6802000010	BALL , STEEL		2	2			
406	007	15642230043M	LINK		1	1			
406	008	15642230033M	LINK		1	1			
406	009	15602231600	BOLT , SET SEAL LOCK	M8X16	2	2			
406	010	15602230124	PIN , 10X28		1	1			
406	011	V7081400070	E-RING		1	1			
406	012	15602230074	GUIDE	T=3.5	1	1			
406	013	V2173608016	BOLT , HEX/S	M8X16	2	2			
406	014	15612230027M	METAL , MAIN		1	1			
406	015	V2173608050	BOLT , HEX/S	M8X50	3	3			
406	019	14522230022M	FORK , SHIFTER 3-4		1	1			
406	020	15162230010M	FORK , SHIFTER 1-2		1	1			
406	021	16007060020	BOLT , DRAIN	M8X12XP1.25	1	1			
406	022	V7051400320	C-RING , HOLE	32	1	1			
406	023	15602230085	SEAL		1	1			
406	024	V5201006016	PIN , PARALLEL/A	6X16	1	1			
406	025	15602900063	SPRING , C020	D=2.6	1	1			
406	026	14442180090	BOOT , CHANGE LEVER		1	1			
406	027	V5901010180	WIRE , STEEL	1.0X180	1	1			
406	028	V5901010070	WIRE , STEEL	1.0X70	1	1			
406	029	14522810070	GRIP , MAIN	M10	1	1		-2017.10.17	
406	029	14522810071	GRIP , MAIN	M10	1	1		2017.10.18-	
406	031	14522912001	LEVER COMP , SHAFT MAIN		1	1			
406	034	14522913101GB	LEVER COMP , BAR 16		1	1		-2017.08.31	
406	034	17342913100GB	LEVER COMP , BAR 16		1	1		2017.09.01-	
406	035	V2013608035	BOLT , HEX	M8X35	1	1			
406	036	V5201010022	PIN , PARALLEL/A	10X22	2	2			
406	037	V3042600080	NUT , HEX/2	M8	1	1			
406	038	V3342600100	NUT , HEX FINE/2	M10	1	1			
406	039	V4111600100	WASHER , PLAIN	M10	1	1			
406	040	V7201019008	O-RING , P	P8	2	2			
406	041	14522081550	BOLT	M10XP1.5	2	2			
NOTE									

FIG 407

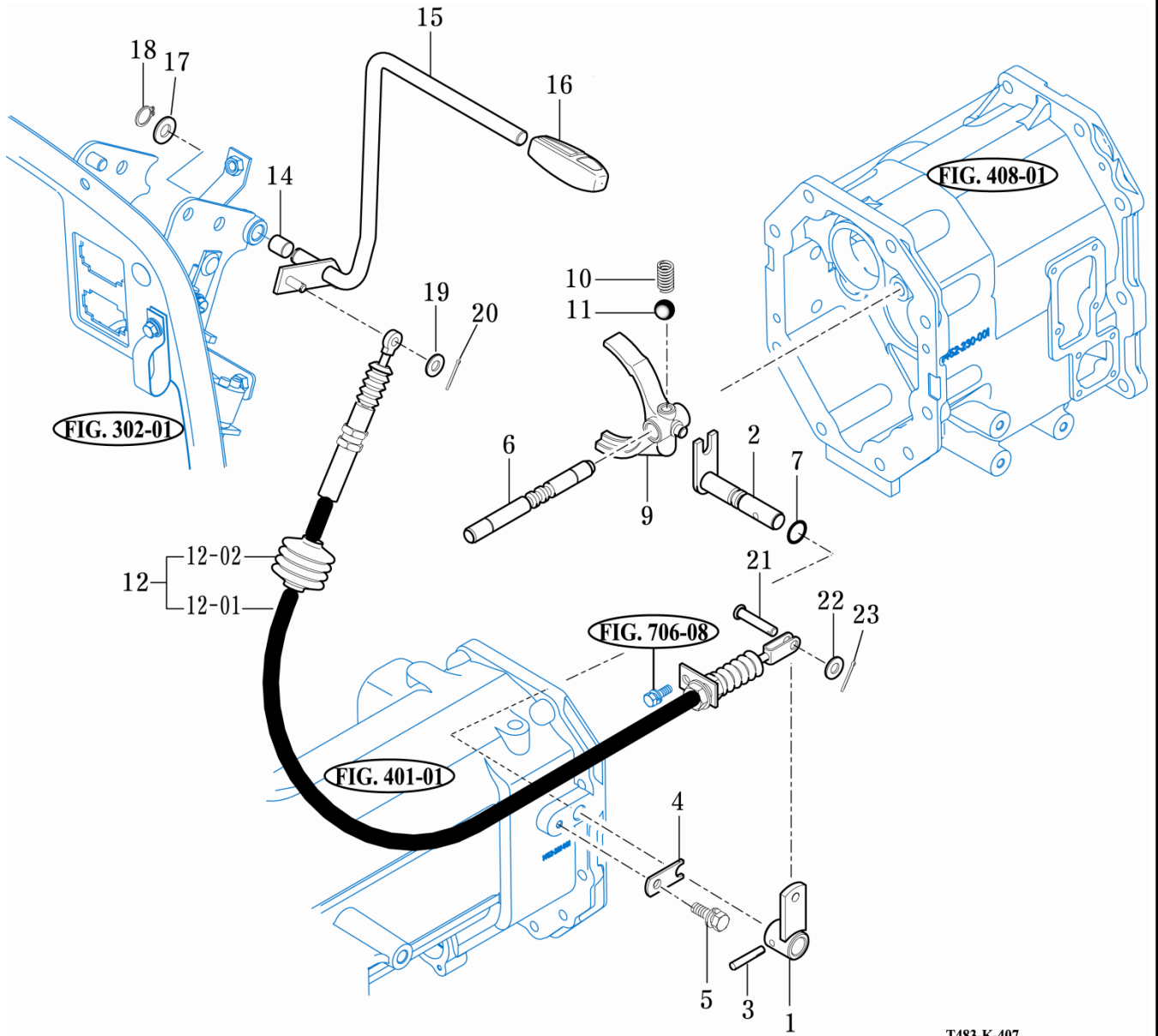
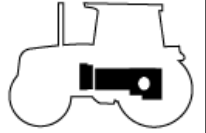
RK55S / RK55SC

REVERSE CHANGE LEVER

P1

YEAR

2017



T483-K-407

NOTE



FIG 408

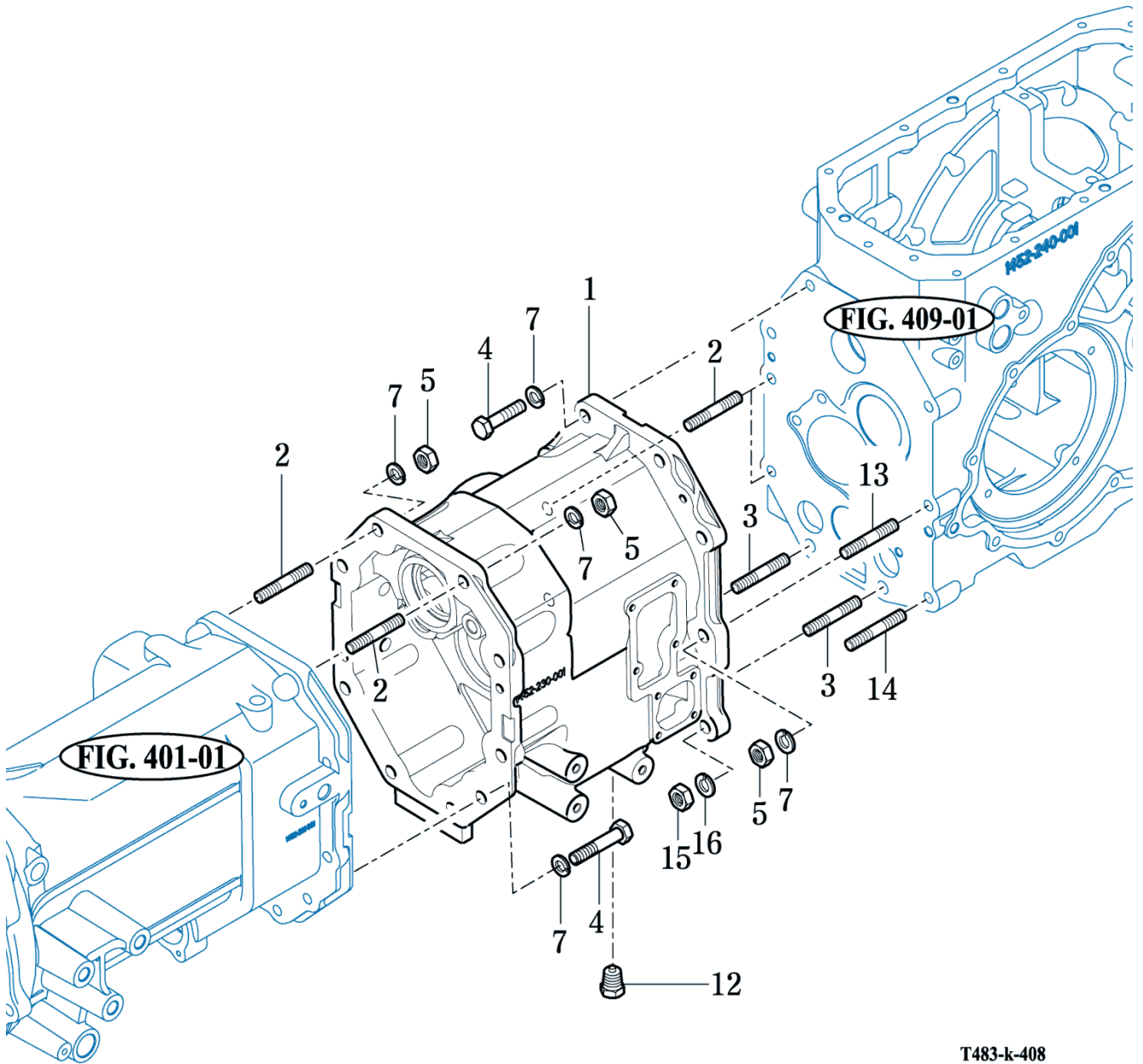
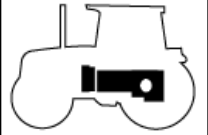
RK55S / RK55SC

TRANSMISSION MID CASE

P1

YEAR

2017



T483-k-408

NOTE



FIG 409

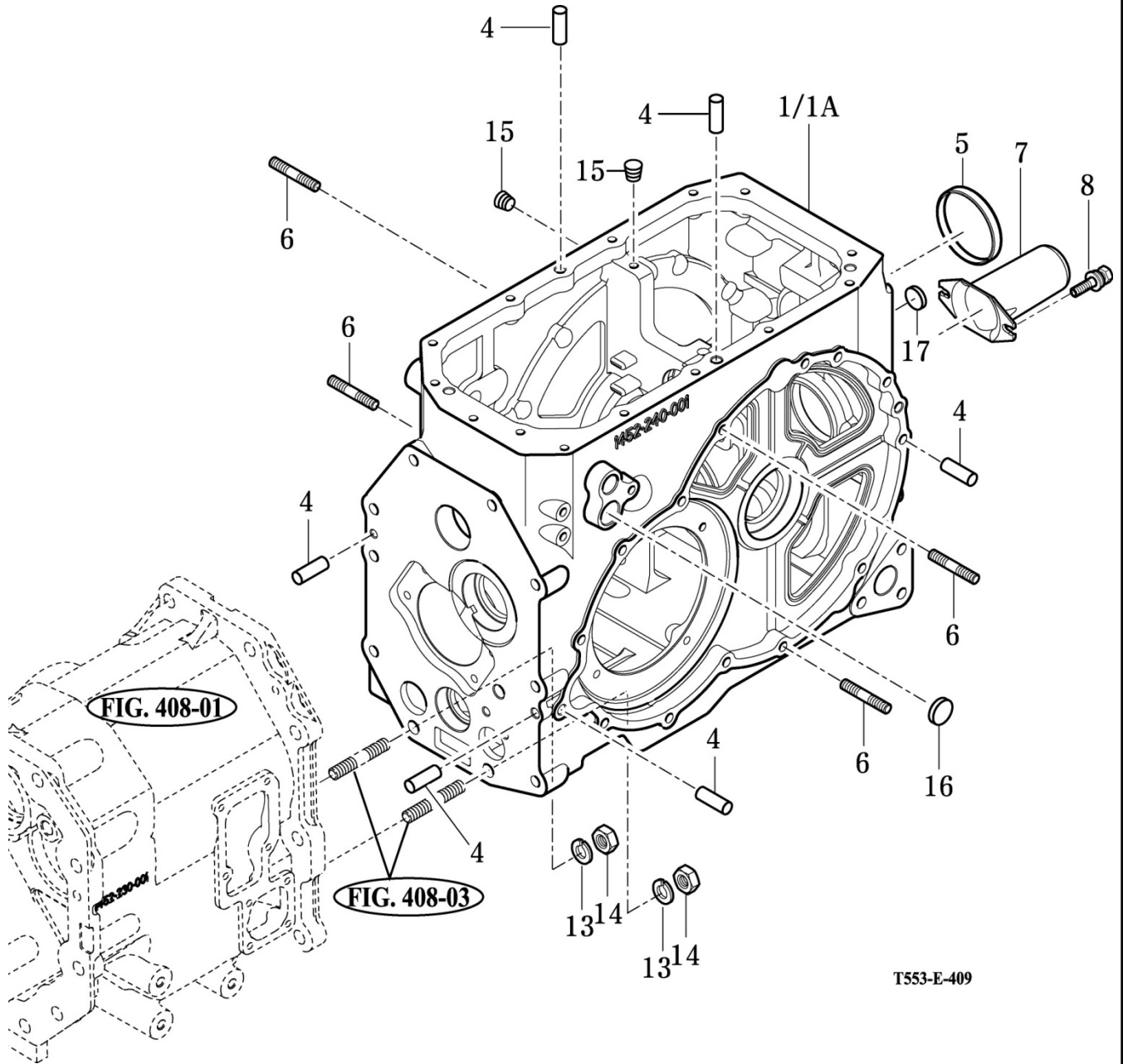
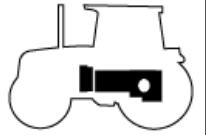
TRANSMISSION REAR CASE

RK55S / RK55SC

P1

YEAR

2017



NOTE



FIG 410

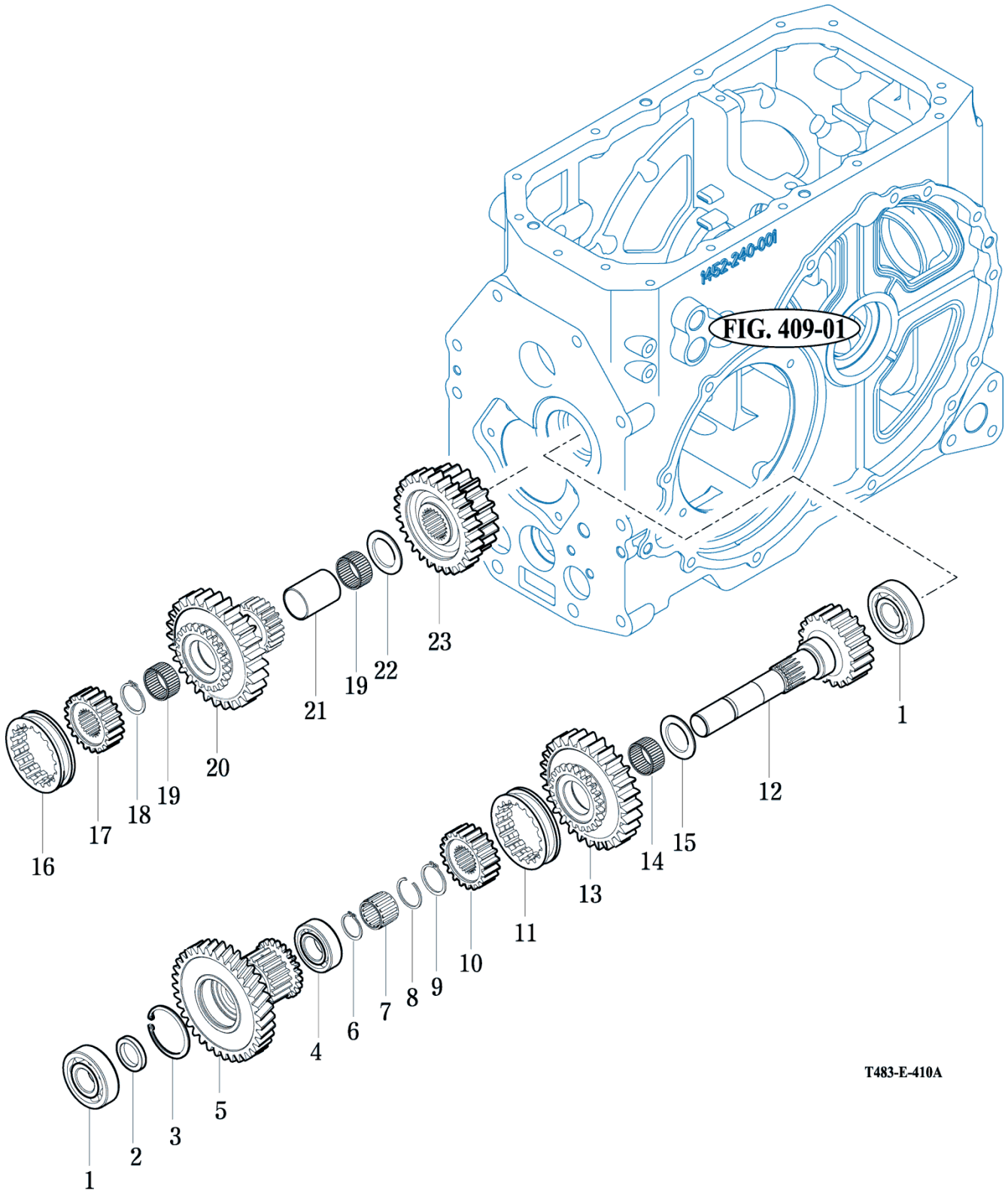
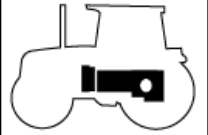
SUB CHANGE GEARS

RK55S / RK55SC

P1

YEAR

2017



T483-E-410A

NOTE





FIG 411

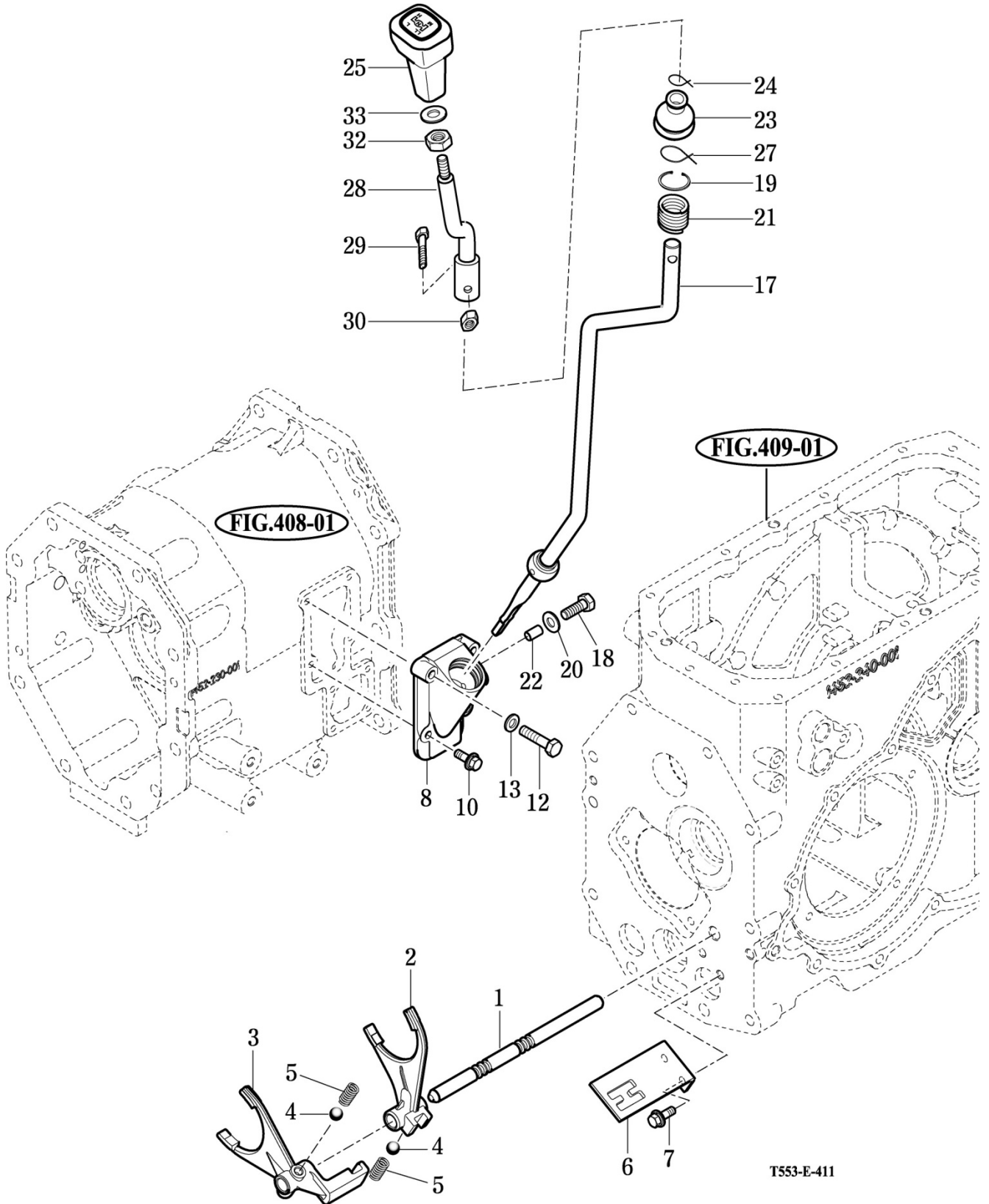
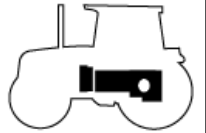
SUB CHANGE SHIFTER

RK55S / RK55SC

P1

YEAR

2017



T553-E-411

NOTE



FIG 413

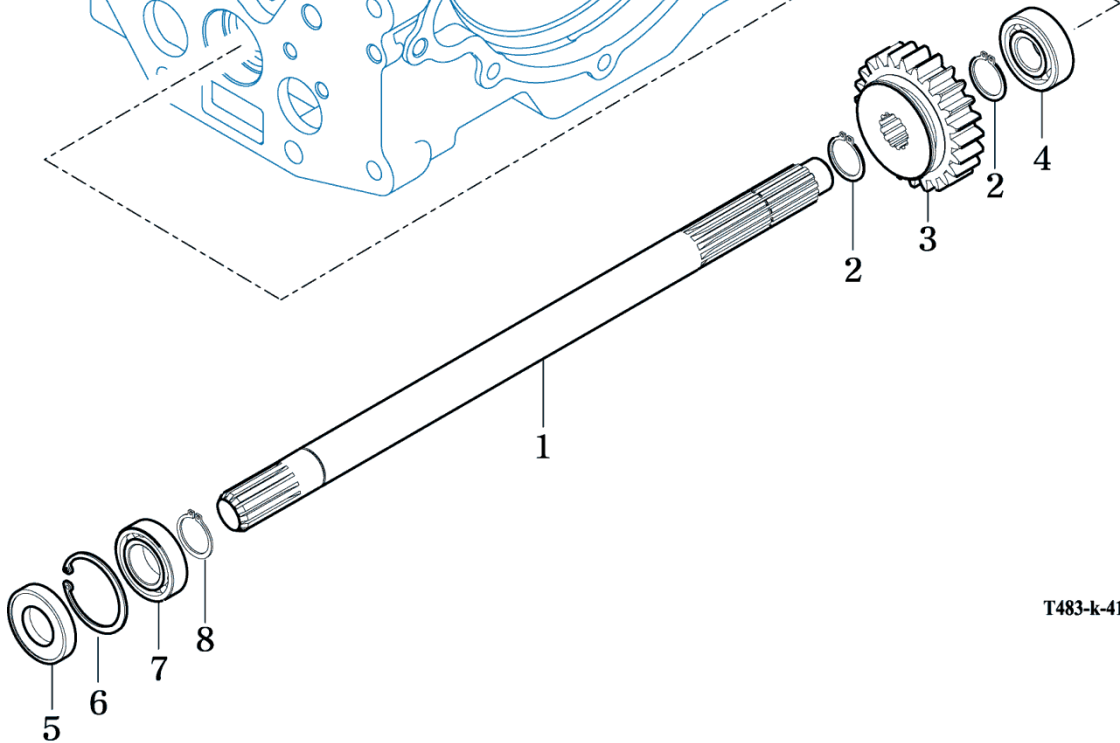
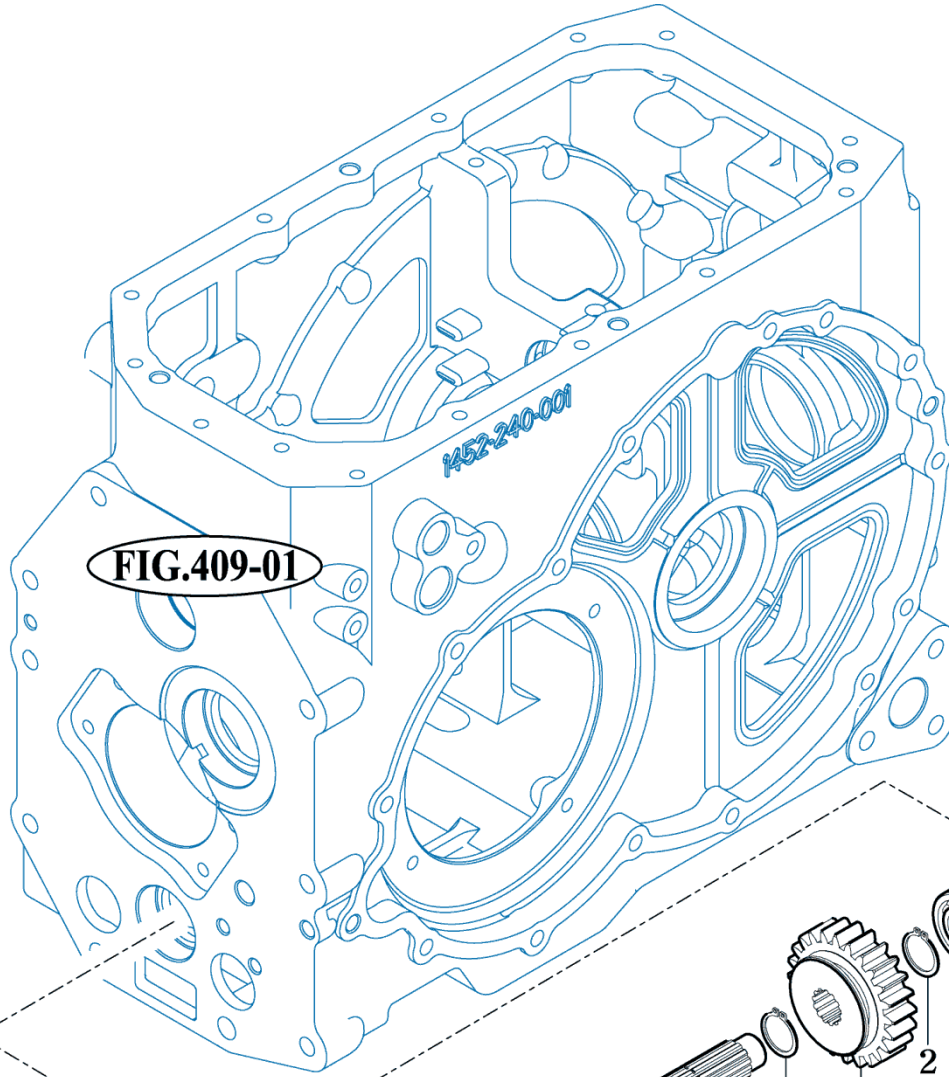
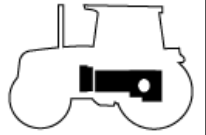
DRIVE GEARS

RK55S / RK55SC

P1

YEAR

2017



T483-k-413

NOTE



FIG 414

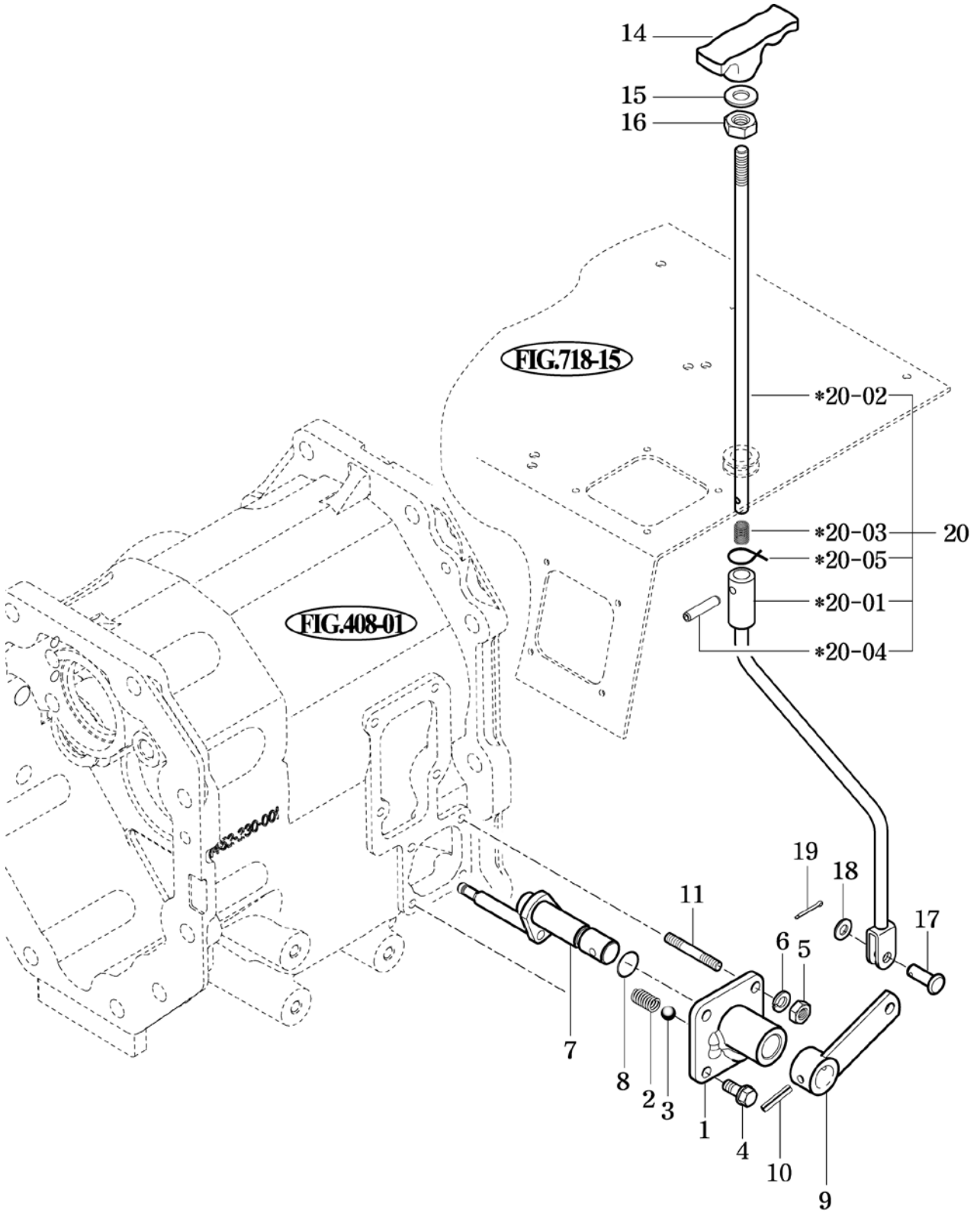
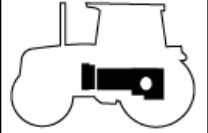
4WD CHANGE LEVER

RK55S / RK55SC

P1

YEAR

2017



\*NOT SERVICED SEPARATELY

T483-E-414A

NOTE



FIG 415

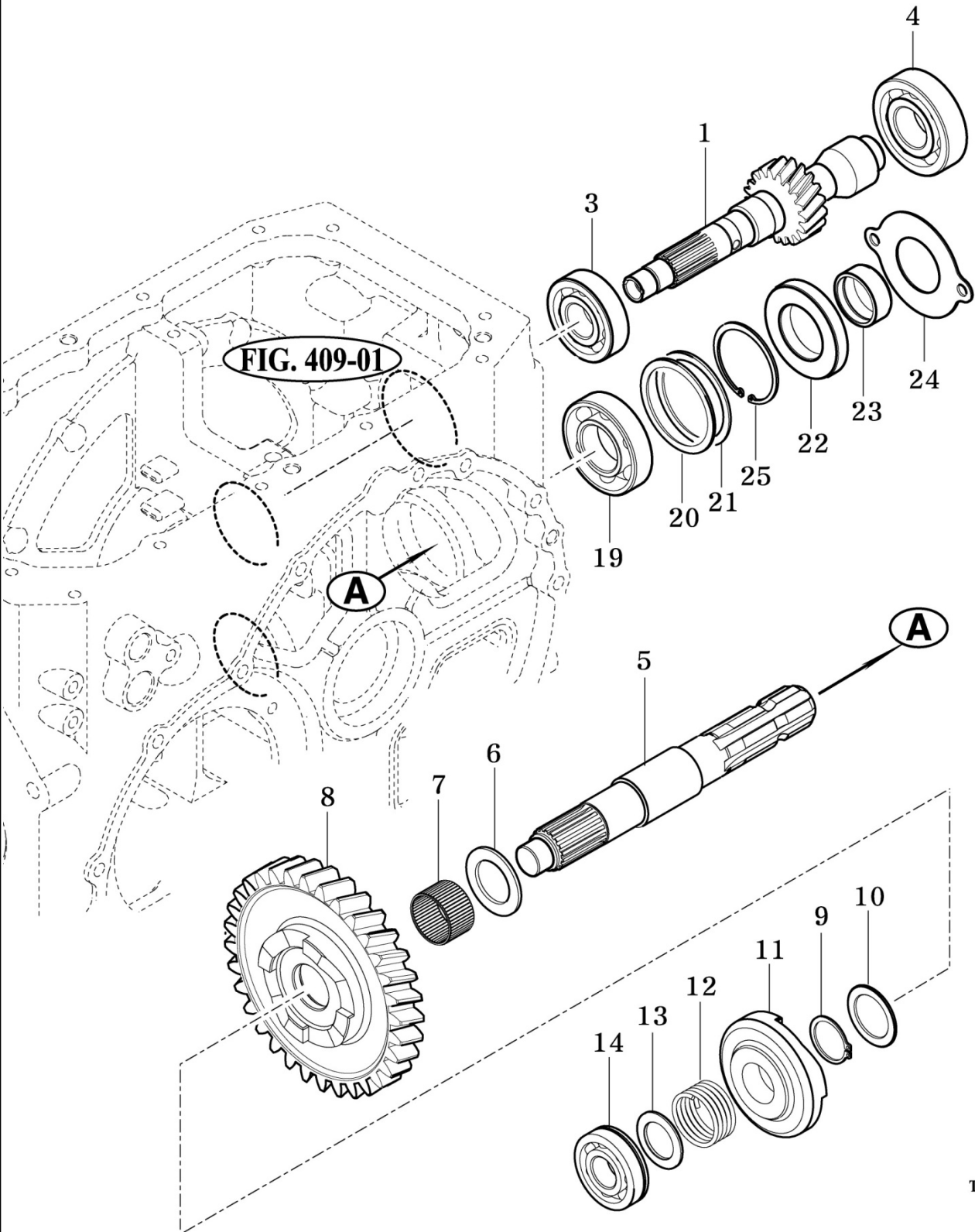
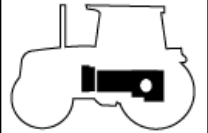
RK55S / RK55SC

P.T.O CHANGE GEARS

P1

YEAR

2017



T553-E-415A

NOTE





# FIG 417

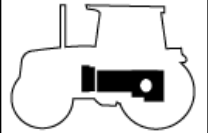
# REAR DIFFERENTIAL GEARS

RK55S / RK55SC

P1

YEAR

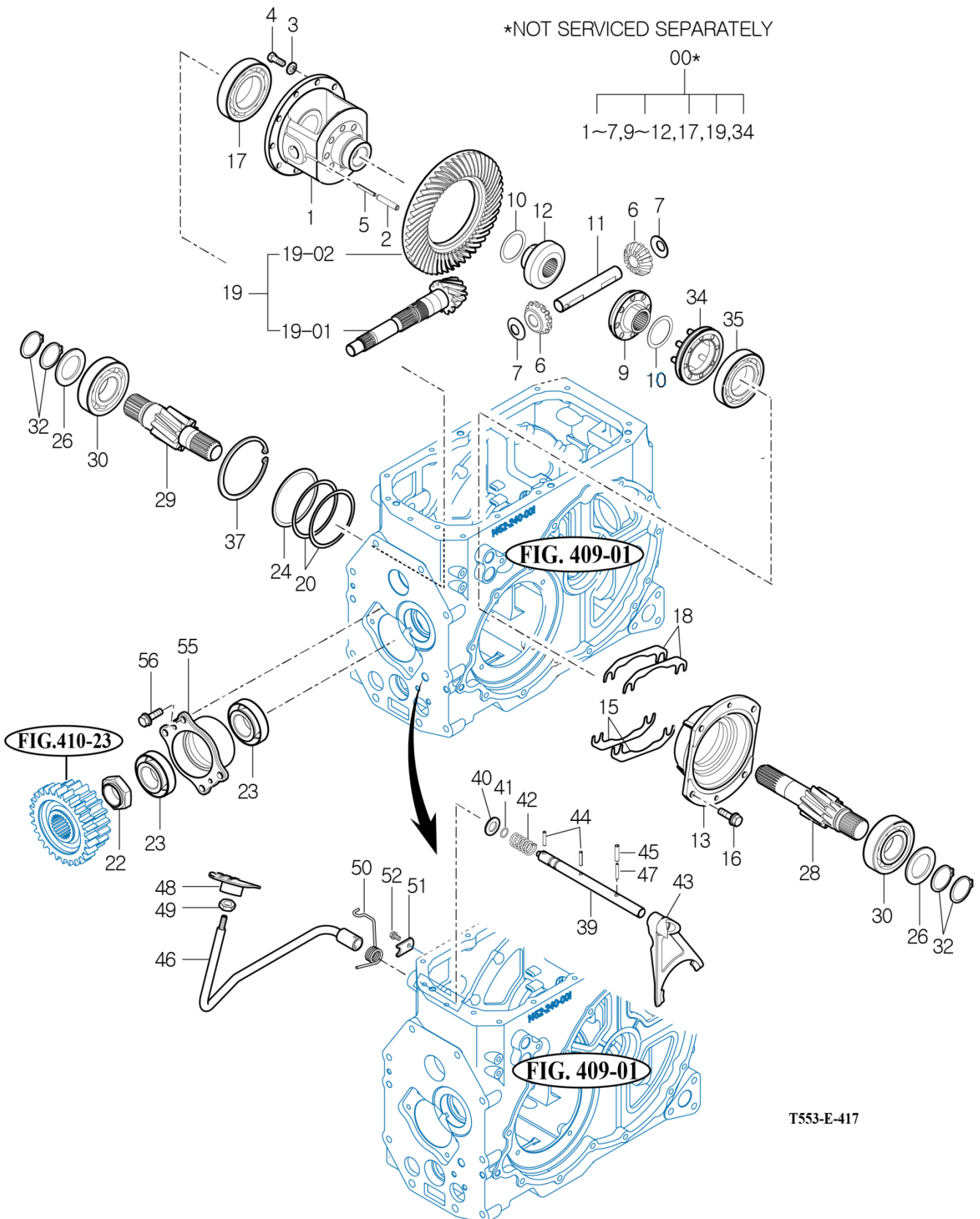
2017



\*NOT SERVICED SEPARATELY

00\*

1~7,9~12,17,19,34



T553-E-417

NOTE

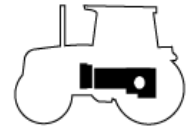
**FIG 417**

**REAR DIFFERENTIAL GEARS**

P1

YEAR

2017



RK55S / RK55SC

KEY NO.	PART NO.	DESCRIPSTION	SPEC.	QTY.		REPAIR	EFFECTIVE DATE	REMARKS
				RK55SC	RK55S			
417	000	14523031001	DIFF ASSY, RR 47PS		1	1		*
417	001	14523030010M	CASE , DIFF		1	1		*
417	002	V5801408040	PIN , SPRING	8X50	1	1		*
417	003	V4011600100	WASHER , SPRING	M10	10	10		*
417	004	V2024610025	BOLT , HEX FINE	M10X25	10	10		*
417	005	V5801405036	PIN , SPRING	5X36	1	1		*
417	006	14523180041	PINION , DIFF		2	2		*
417	007	14523030080	COLLAR , PINION	T=1.0	2	2		*
417	009	14523180061	PINION , BEVEL 16T LH		1	1		*
417	010	14523030100	WASHER , THRUST	D=52.5	2	2		*
417	011	14523030110	SHAFT , DIFF PINION	D=23	1	1		*
417	012	14523180031	PINION , BEVEL 16T RH		1	1		*
417	013	14523030131M	METAL , DIFF CASE LH		1	1		
417	015	14523010090	SHIM , B	T=0.2	4	4		
417	016	V2173610025	BOLT , HEX/S	M10X25	4	4		
417	017	V6001106212	BEARING , BALL	6212	1	1		*
417	018	14523010080	SHIM , A	T=0.1	2	2		
417	019	14523022100	GEAR SET , 10-41T		1	1		*
417	01901	14523022111	.PINION , BEVEL 10T		1	1		*
417	01902	14523022120	.GEAR , SPIRAL BEVEL 41T		1	1		*
417	020	14523010050	SHIM , 0.1	T=0.1	2	2		
417	022	15533030020	NUT , M40 P1,5		1	1		
417	023	V6321132208	BEARING, TAPER ROLLER	32208CF	2	2		
417	024	14523010100	SHIM , 0.2	T=0.2	1	1		
417	026	15133060030	COLLAR , THRUST 45X68X4		2	2		
417	028	14523060010	PINION , LH HERICAL11T		1	1		
417	029	14523060020	PINION , RH HERICAL11T		1	1		
417	030	V6001106309	BEARING , BALL	6309	2	2		
417	032	V7041400450	C-RING , SHAFT	45	4	4		
417	034	14523033400	SLEEVE COMP		1	1		*
417	035	V6001106211	BEARING , BALL	6211	1	1		
417	037	V7051401100	C-RING , HOLE	R110	1	1		
417	039	14523032002	SHAFT , DIFF LOCK	D=20	1	1		
417	040	V4111600200	WASHER , PLAIN	M20	1	1		
417	041	V7201024016	O-RING , P	P16	1	1		
417	042	17973030420	SPRING	D=3.6	1	1		
417	043	14523190011M	FORTK , DIFF LOCK		1	1		
417	044	V5801406032	PIN , SPRING	6X32	2	2		
417	045	V5801408036	PIN , SPRING	8X36	1	1		
417	046	14543162101	PEDAL COMP , DIFF LOCK		1	1		
417	047	V5801405036	PIN , SPRING	5X36	1	1		
417	048	14521220120	PEDAL COMP,ACCEL		1	1		
417	049	V3342600100	NUT , HEX FINE/2	M10	1	1		
417	050	14523160020	SPRING , DIFF PEDAL		1	1		
417	051	16703180191	PLATE , STOP	25X4.5T	1	1		
417	052	V2173608016	BOLT , HEX/S	M8X16	1	1		
417	055	14523020040M	METAL .PINION		1	1		
417	056	V2173610020	BOLT , HEX/S		4	4		

**NOTE**

\* NOT SERVICED SEPARATELY

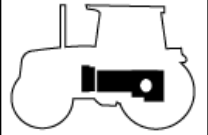
FIG 418

REAR AXLE HOUSING

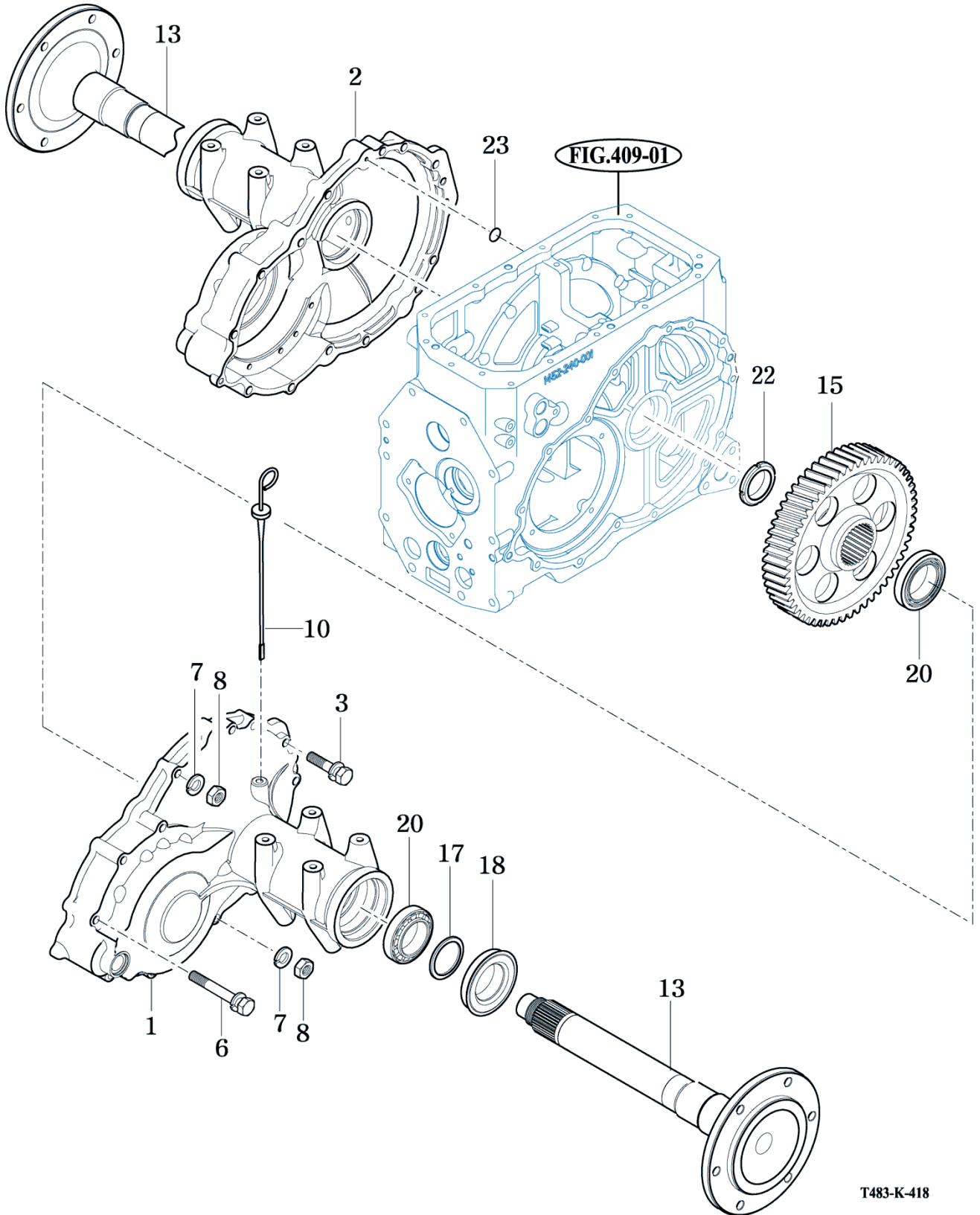
P1

YEAR

2017



RK55S / RK55SC



T483-K-418

NOTE



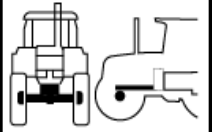
FIG 501

FRONT AXLE SUPPORT

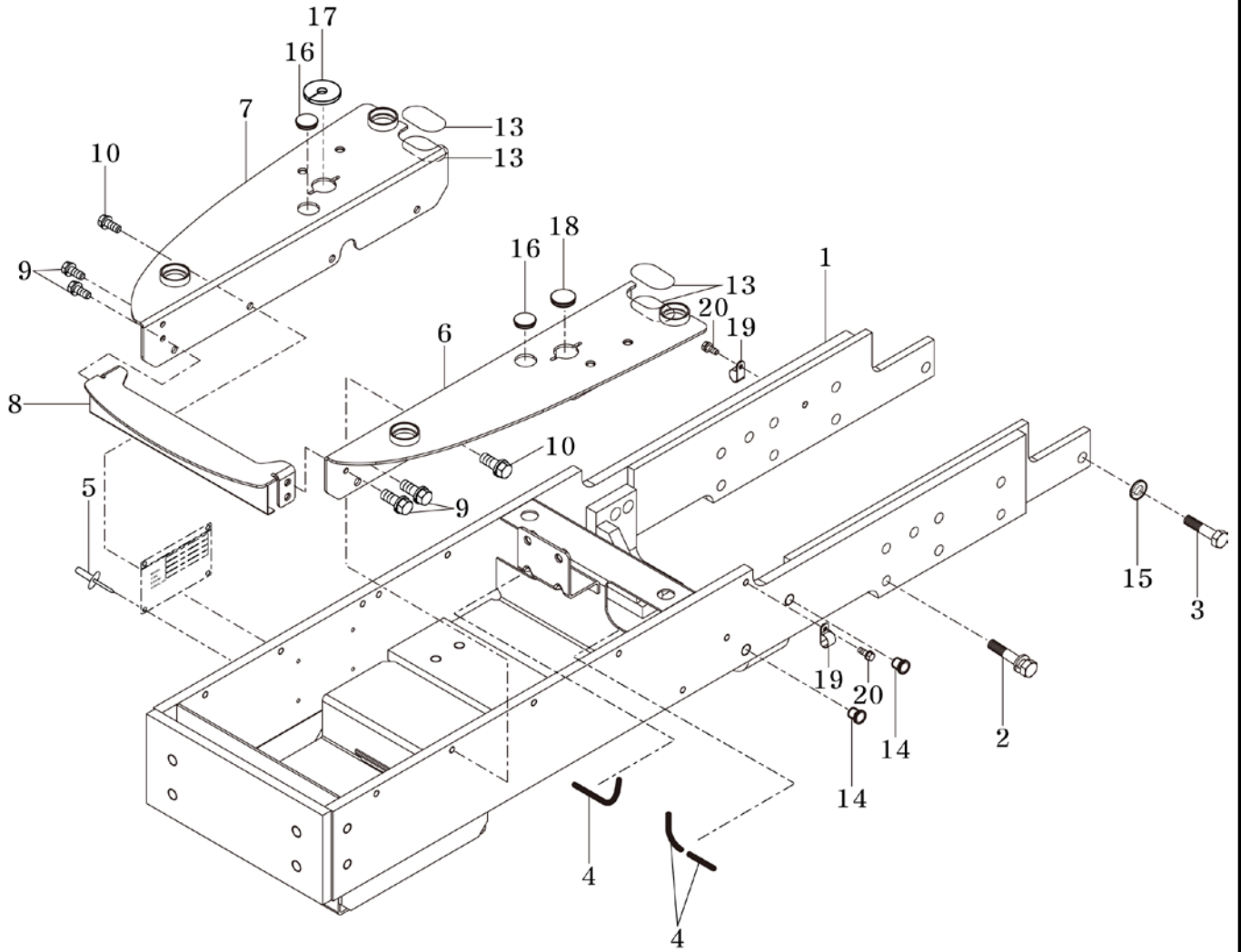
P1

YEAR

2017



RK55S / RK55SC



NOTE



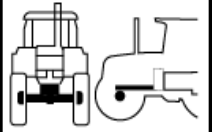
FIG 502

FRONT DRIVE SHAFT

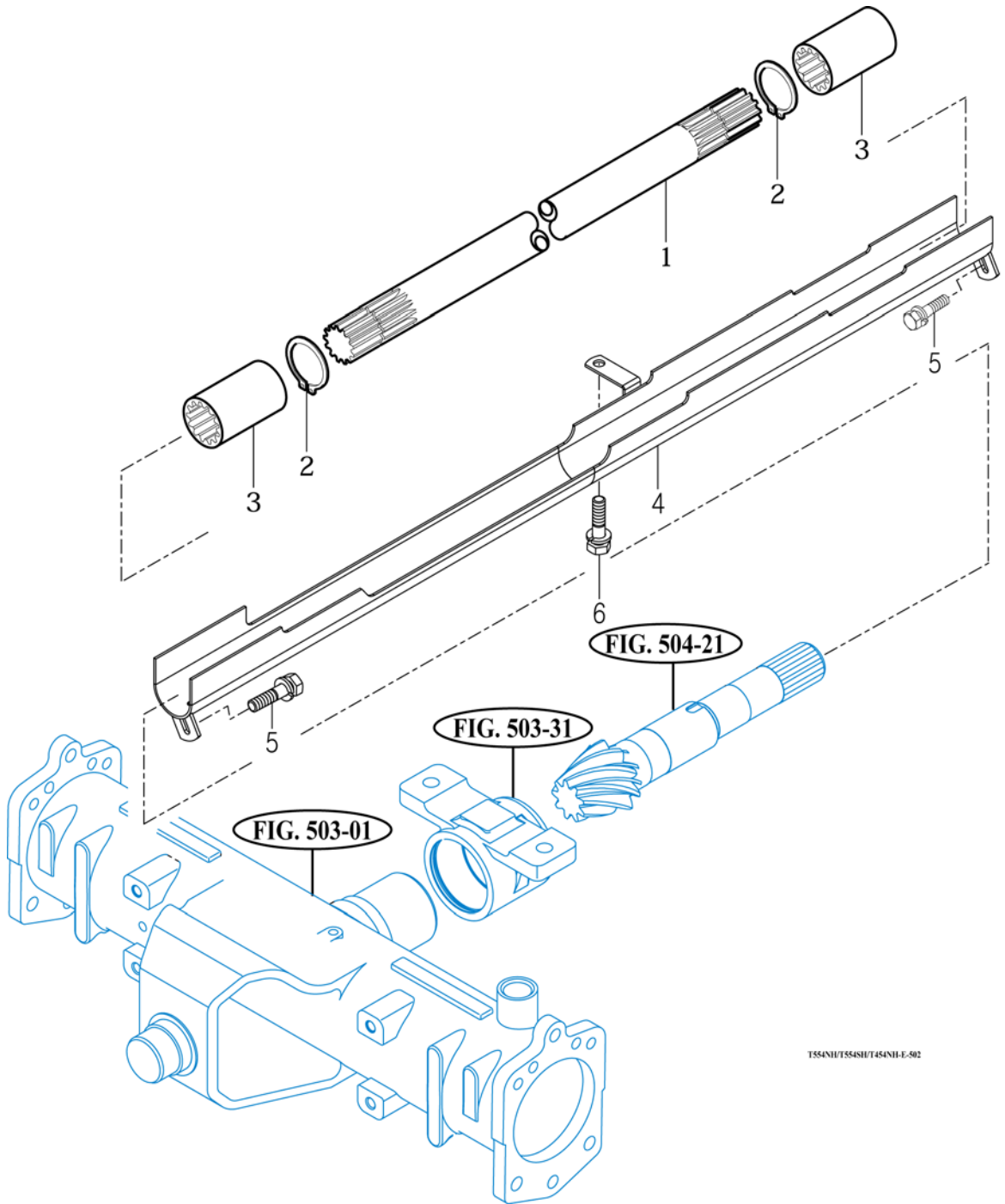
P1

YEAR

2017



RK55S / RK55SC



T554NIUT554SHUT454NI-E-502

NOTE





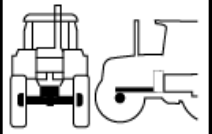
FIG 503

FRONT AXLE HOUSING

P1

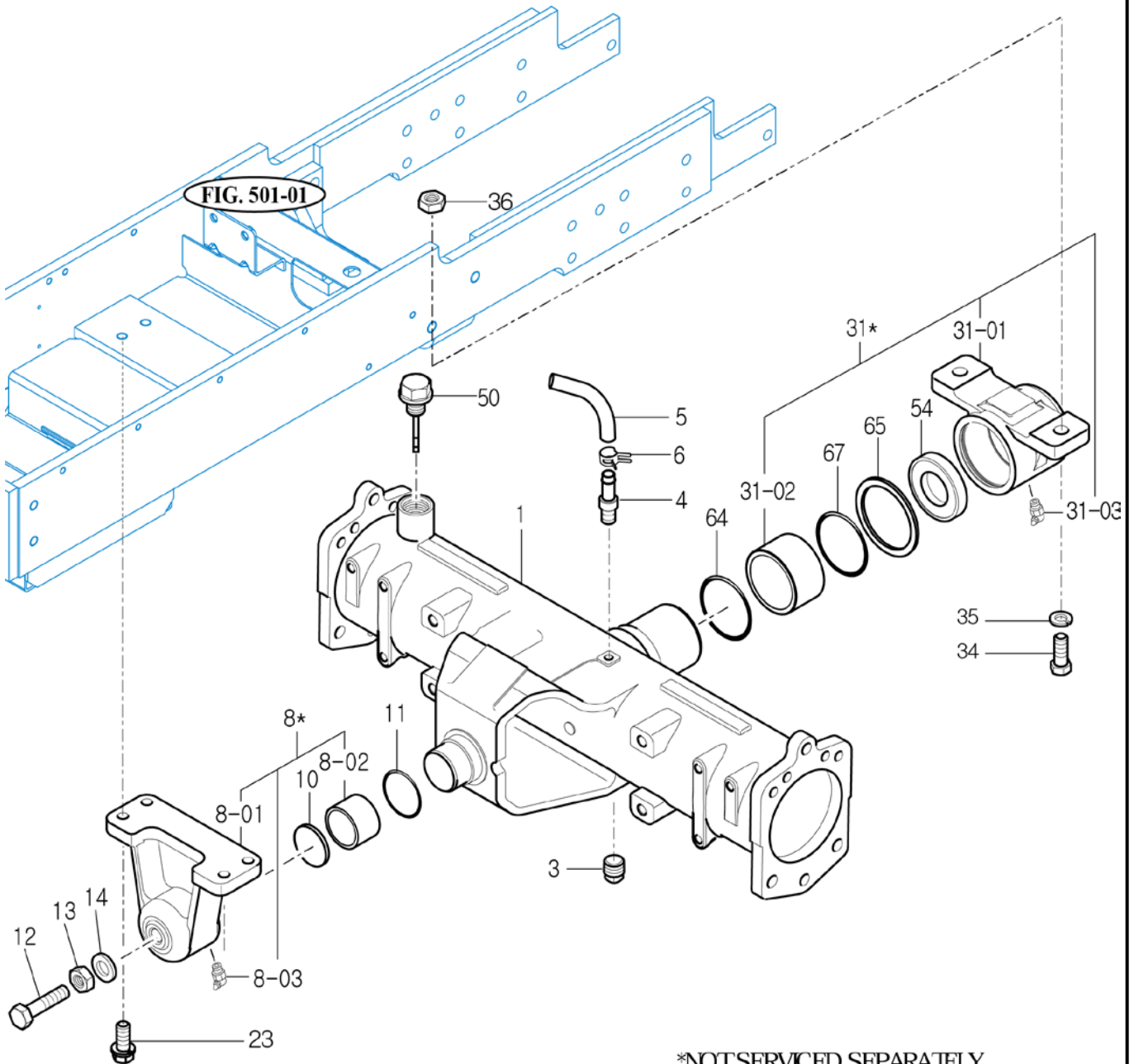
YEAR

2017



RK55S / RK55SC

FIG. 501-01



\*NOT SERVICED SEPARATELY

T354454-E-503

NOTE



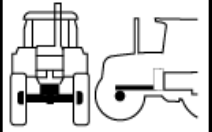
FIG 504

FRONT DIFFERENTIAL GEARS

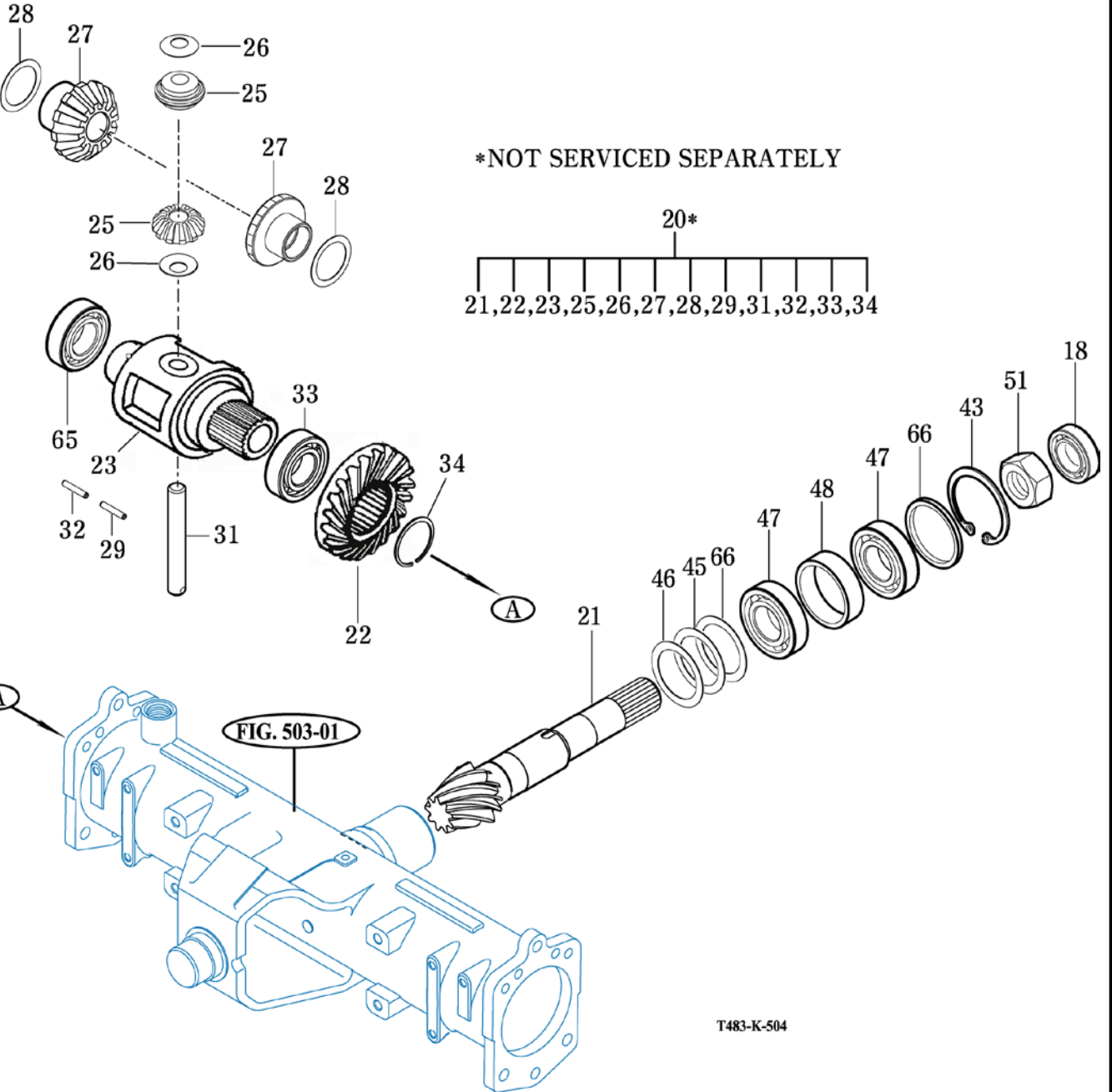
P1

YEAR

2017



RK55S / RK55SC



NOTE



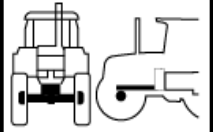
FIG 505

FRONT GEAR CASE (1)

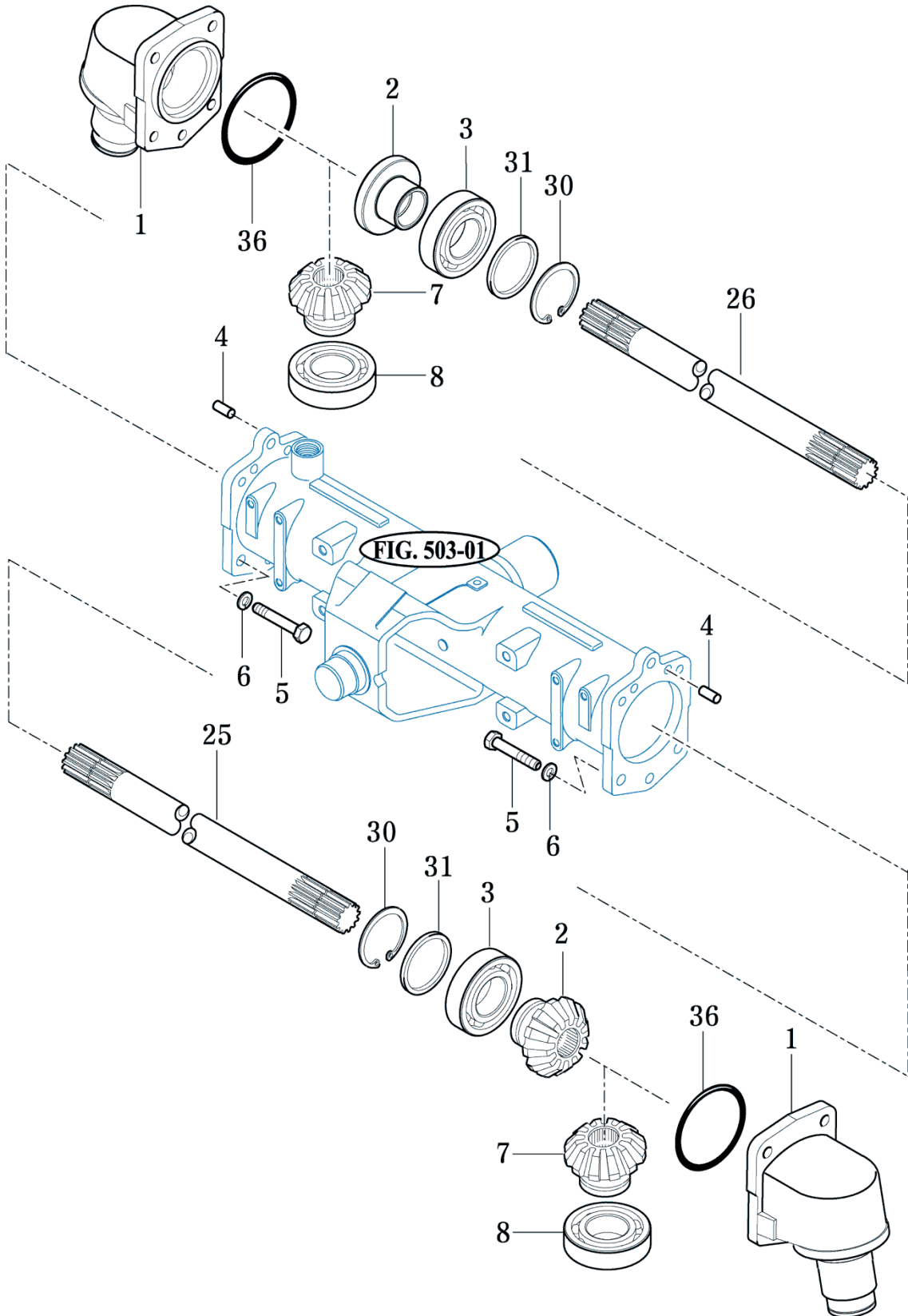
P1

YEAR

2017



RK55S / RK55SC



T483-k-505

NOTE



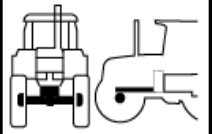
FIG 506

FRONT GEAR CASE (2)

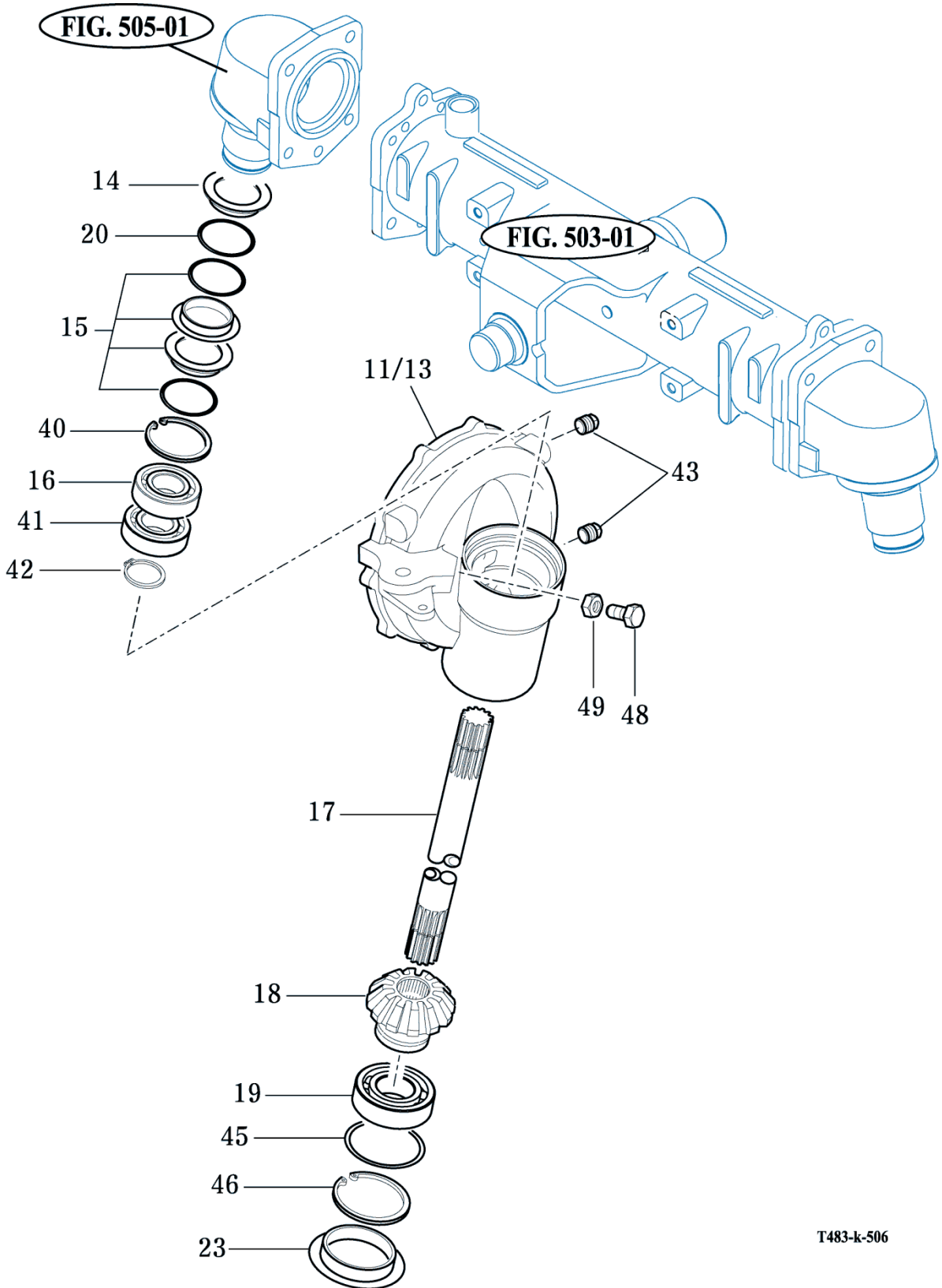
P1

YEAR

2017



RK55S / RK55SC



T483-k-506

NOTE



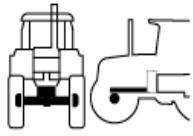
KEY NO.		PART NO.	DESCRIPSTION	SPEC.	QTY.		REPAIR	YEAR	REMARKS
					RK55SC	RK55S		2017	
FIG 506 RK55S / RK55SC FRONT GEAR CASE (2) P1									
									
506	011	14524342001M	CASE , LH FINAL DRIVE		1	1		-2018.01.04	
506	011	12414342000M	CASE , LH FINAL DRIVE		1	1		2018.01.05-	
506	013	14524342101M	CASE , RH FINAL DRIVE		1	1		-2018.01.04	
506	013	12414342100M	CASE , RH FINAL DRIVE		1	1		2018.01.05-	
506	014	16704130080	HOUSING , SEAL		2	2			
506	015	16704340040	SEAL ASSY		2	2	B		
506	016	V6001106014	BEARING , BALL	6014	2	2			
506	017	16734340050	SHAFT		2	2			
506	018	16734130080	GEAR , BEVEL 11T		2	2			
506	019	V6001106308	BEARING , BALL	6308	2	2		-2018.01.04	
506	019	V6041106308	BEARING , BALL	6308HL1	2	2		2018.01.05-	
506	020	V7231020115	O-RING	S115	2	2	B		
506	023	16704330180	CAP , 90		2	2	C		
506	040	V7051400950	C-RING , HOLE	95	2	2			
506	041	V6001106012	BEARING , BALL	6012	2	2			
506	042	V7041400600	C-RING , SHAFT	60	2	2			
506	043	V7811600006	PLUG , SQUARE	R3/8	4	4			
506	045	16704130060	SHIM , 75X90X2		2	2			
506	046	V7051400900	C-RING , HOLE	90	2	2			
506	048	V2014612030	BOLT , HEX	M12X30	2	2			
506	049	V3042600120	NUT , HEX/2	M12	2	2			
NOTE									

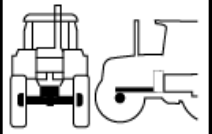
FIG 507

FRONT GEAR CASE (3)

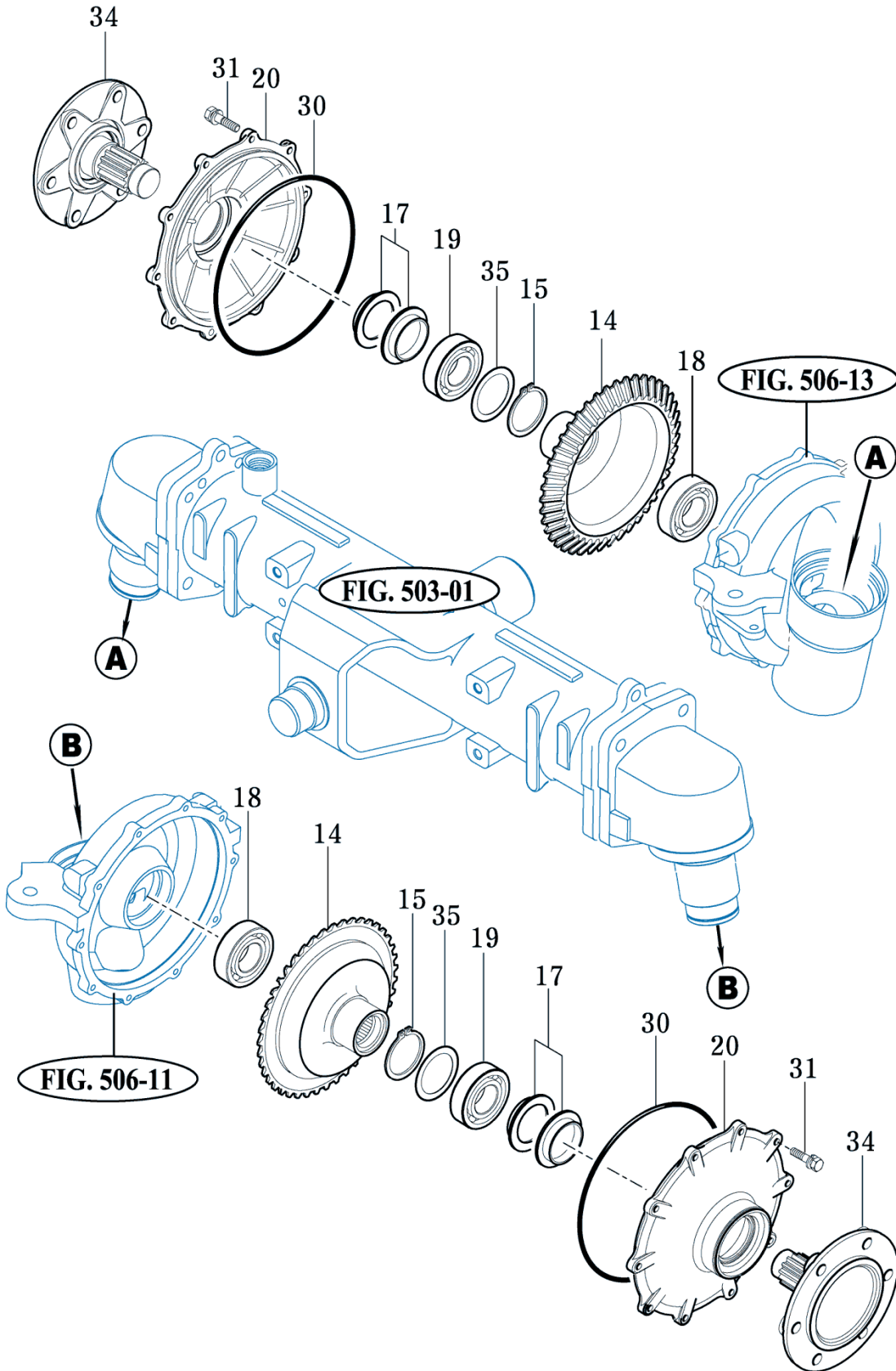
P1

YEAR

2017



RK55S / RK55SC



T483-k-507

NOTE



FIG 601

CYLINDER CASE

RK55S / RK55SC

P1

YEAR

2017

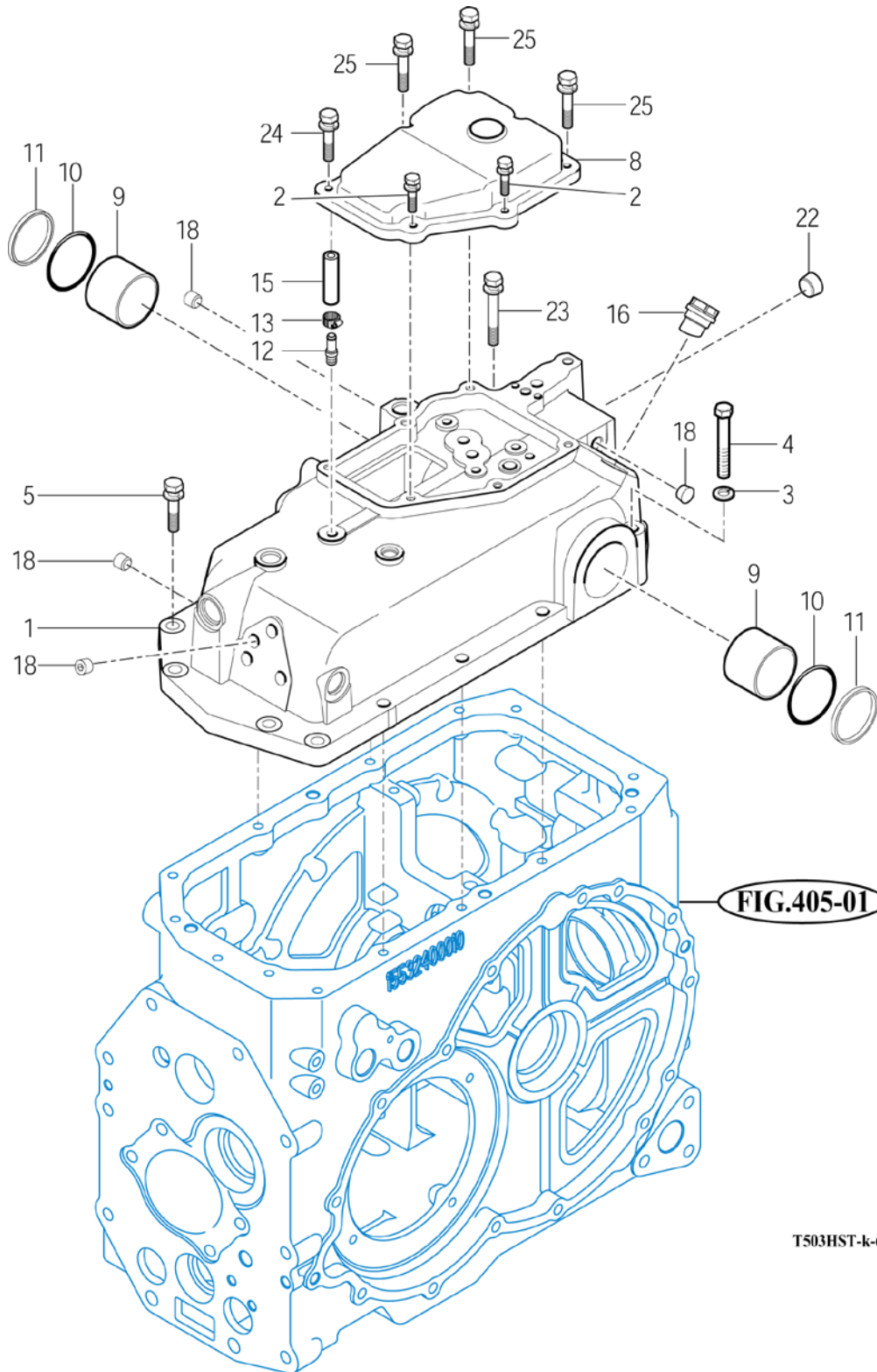
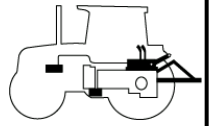


FIG.405-01

T503HST-k-601

NOTE



FIG 602

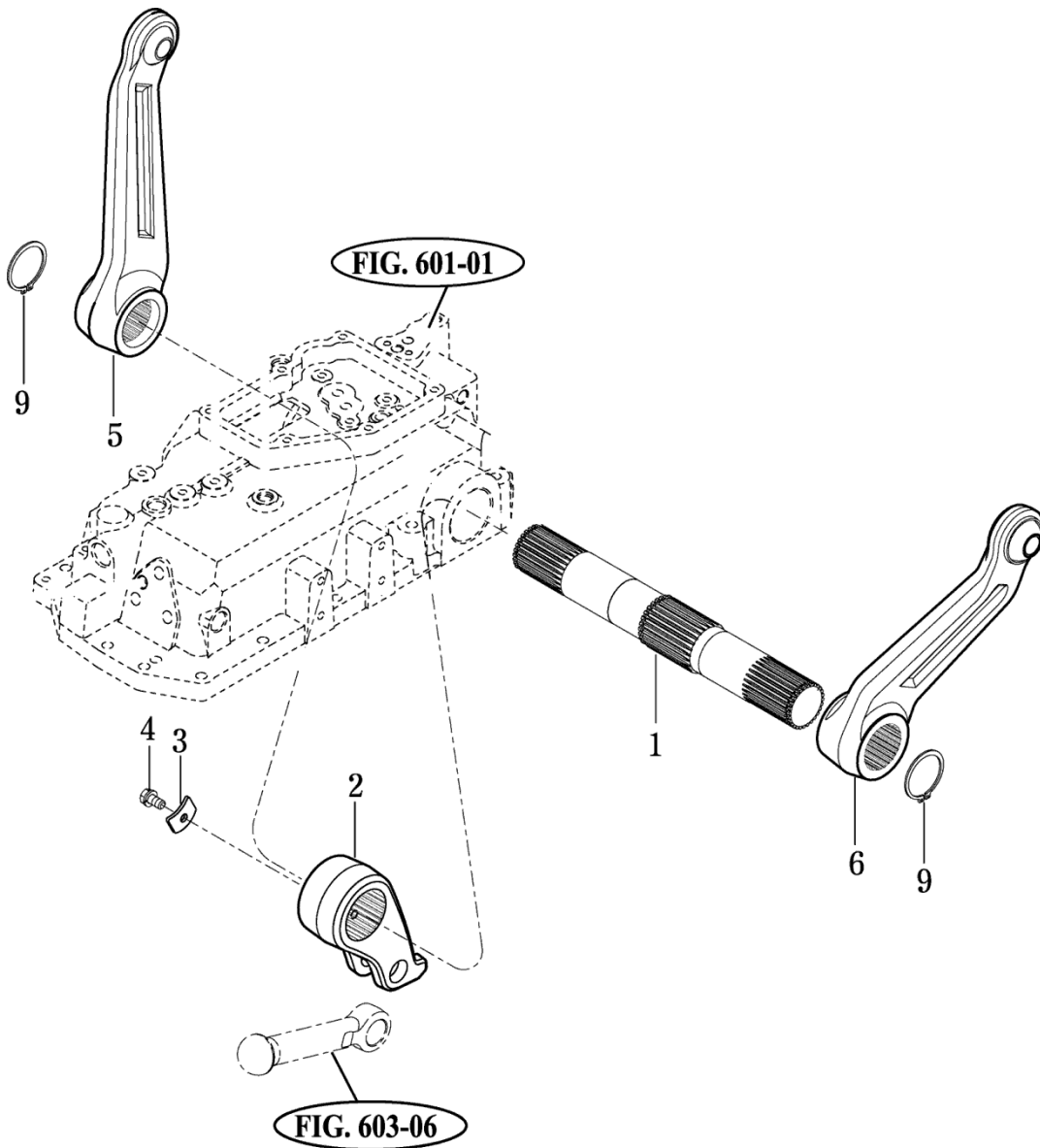
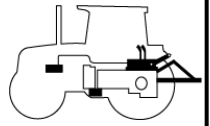
LIFT ARM

RK55S / RK55SC

P1

YEAR

2017



T473-E-602A

NOTE



FIG 603

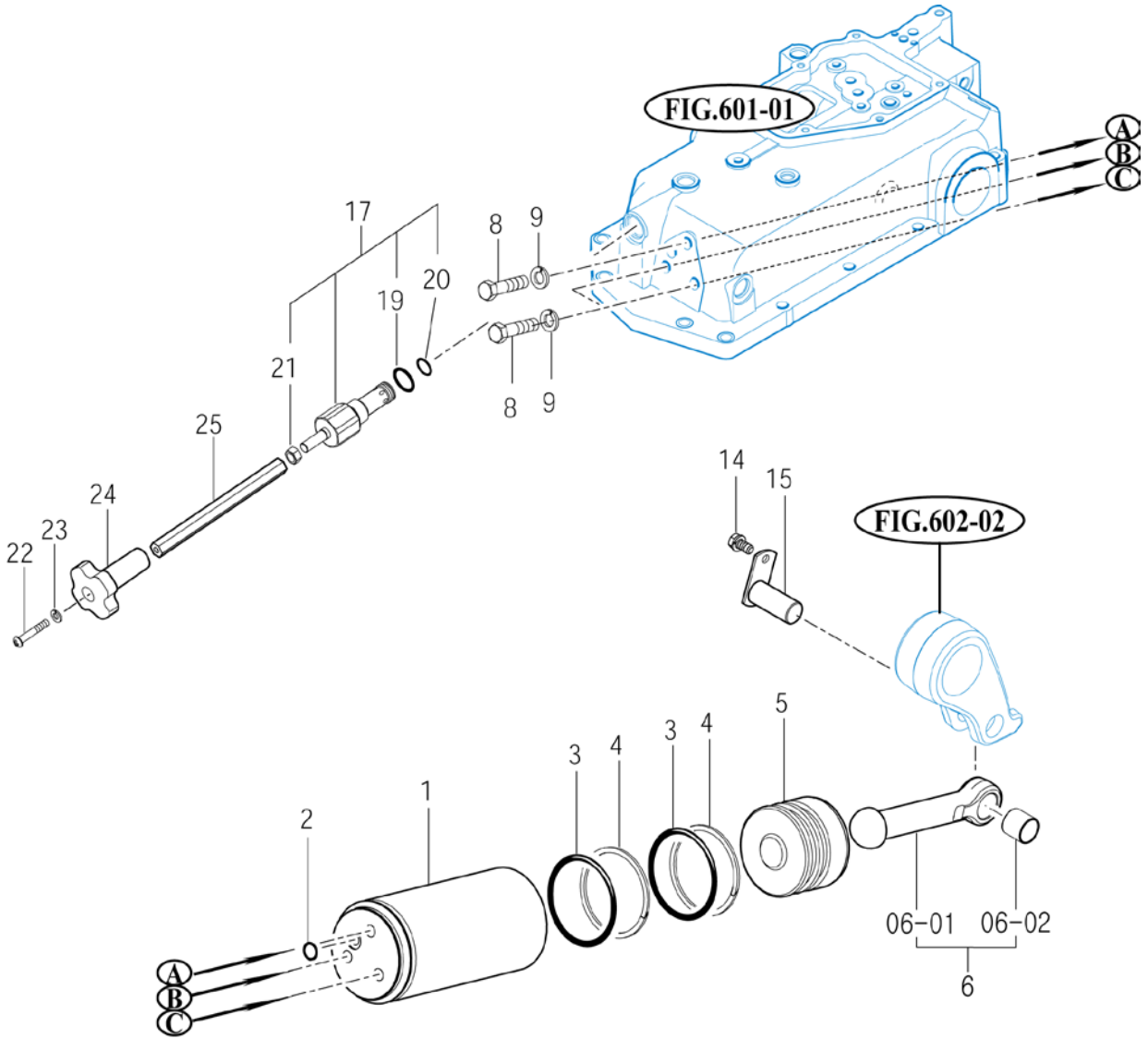
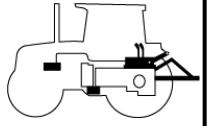
CYLINDER

RK55S / RK55SC

P1

YEAR

2017



T483-K-603

NOTE





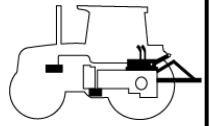
FIG 604

POSITION LINK

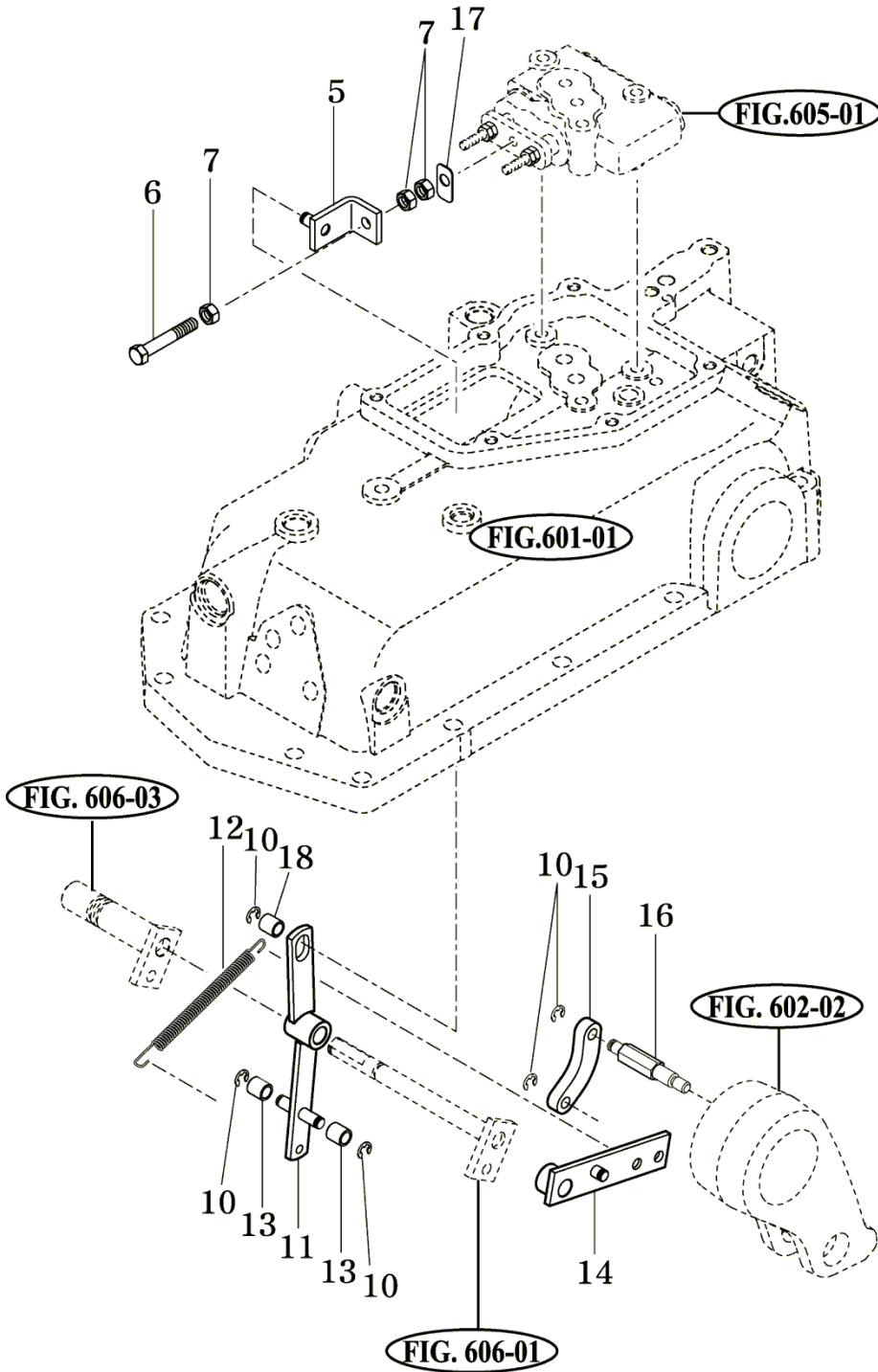
P1

YEAR

2017



RK55S / RK55SC



T483-K-604

NOTE



FIG 605

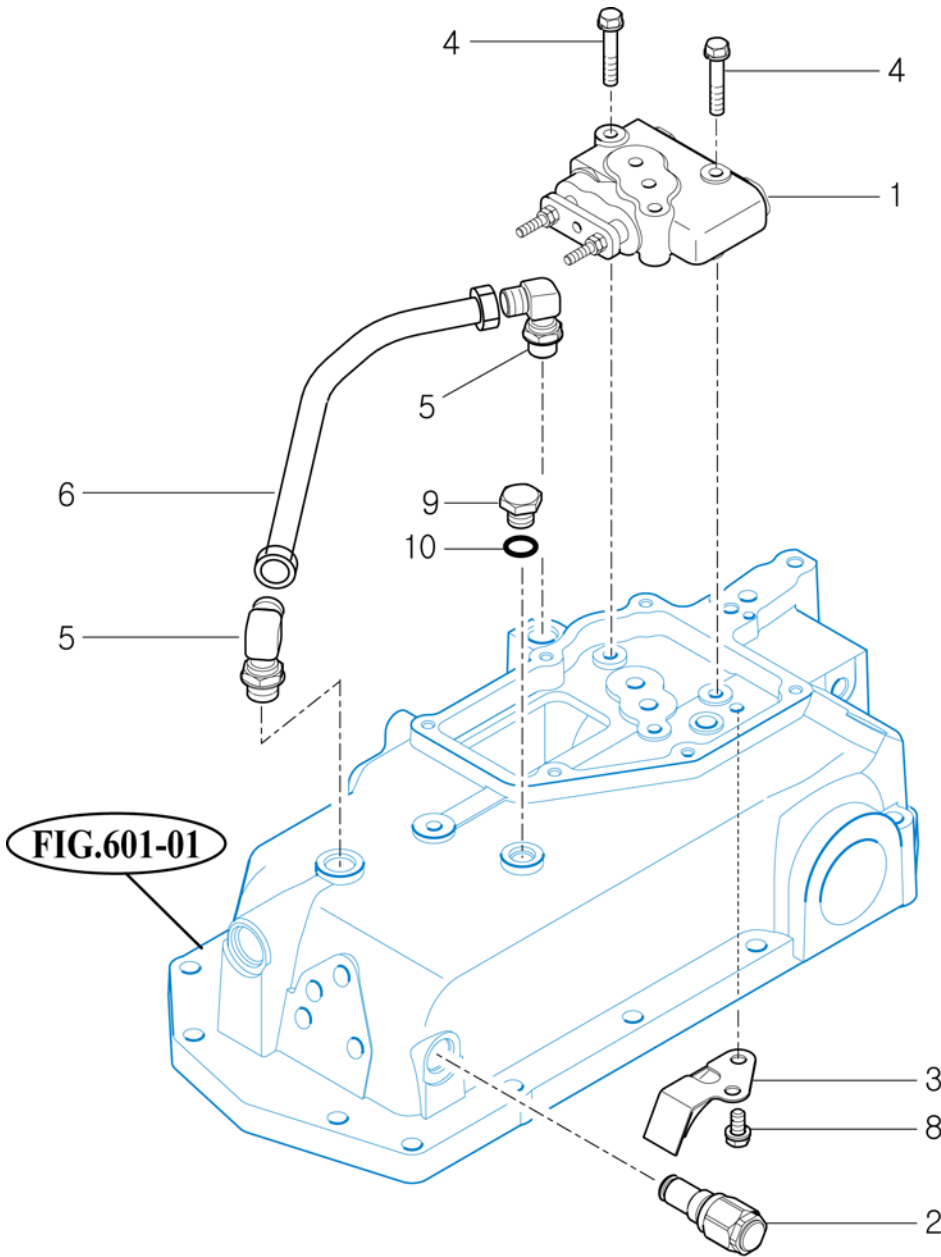
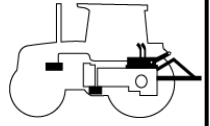
RK55S / RK55SC

# CONTROL VALVE

P1

YEAR

2017



T503HST-K-605

NOTE



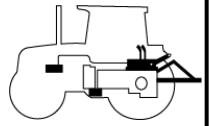
FIG 606

DRAFT LINK

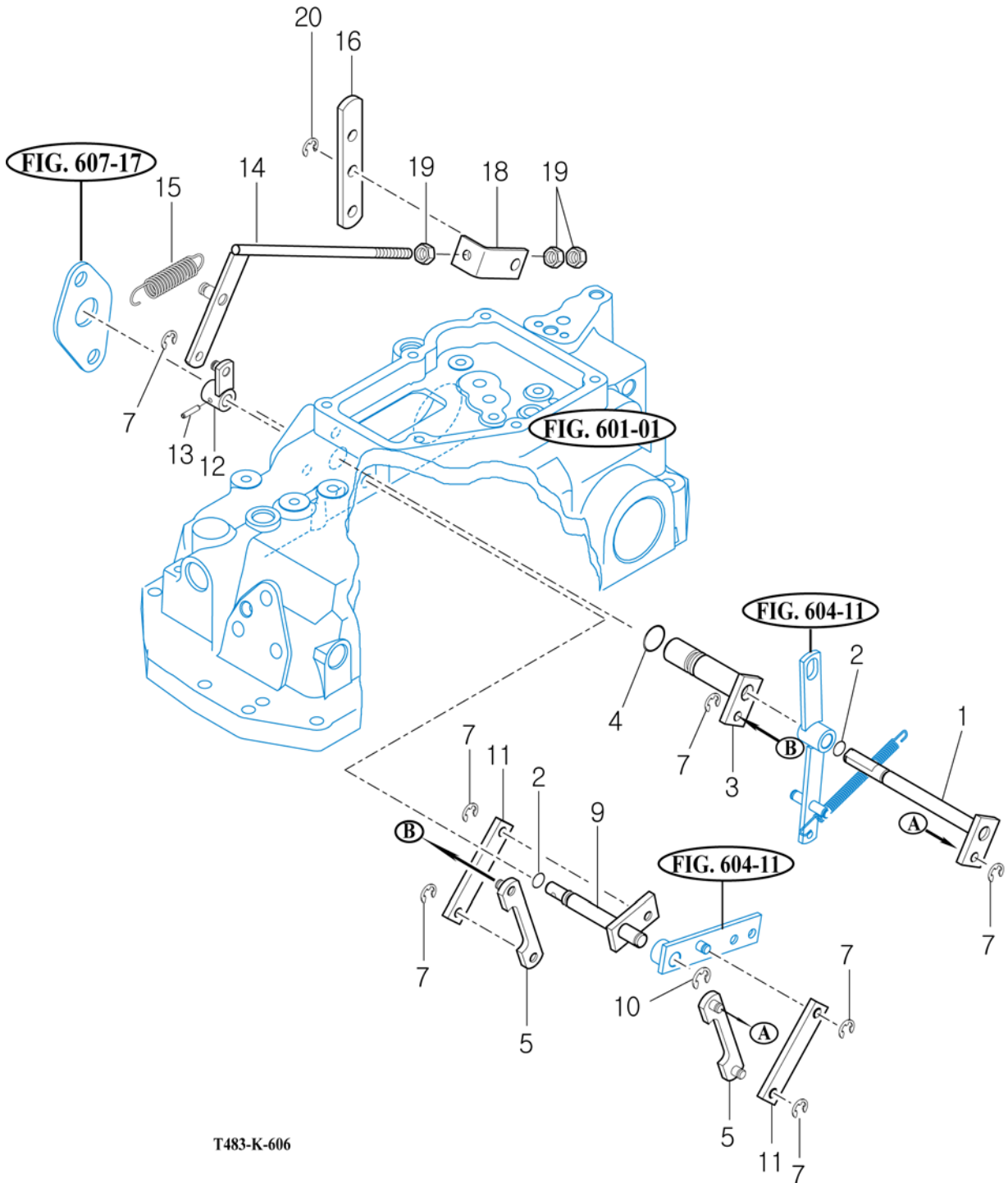
P1

YEAR

2017



RK55S / RK55SC



T483-K-606

NOTE



FIG 607

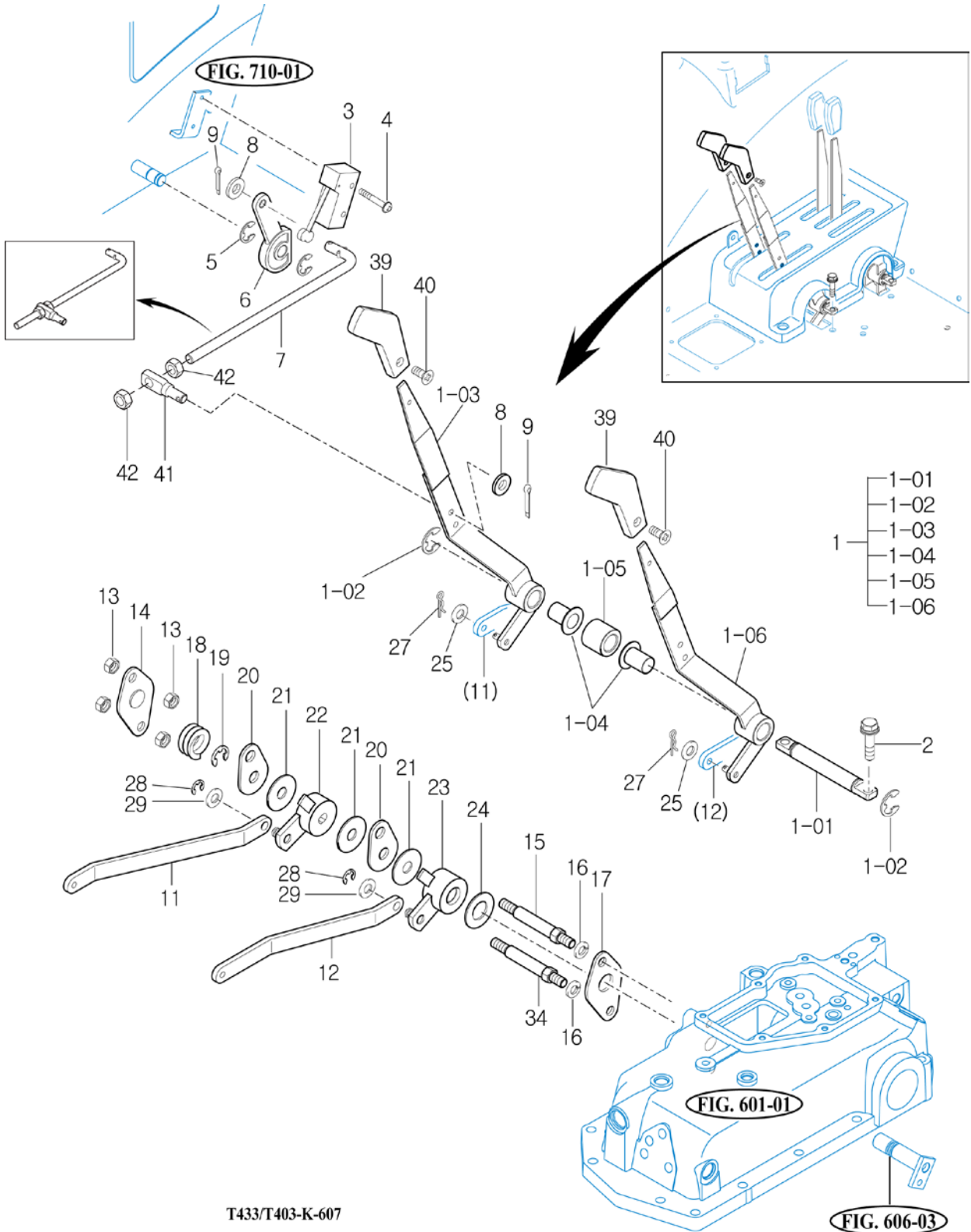
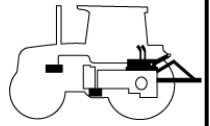
POSITION & DRAFT LEVER

RK55S / RK55SC

P1

YEAR

2017



NOTE





FIG 607

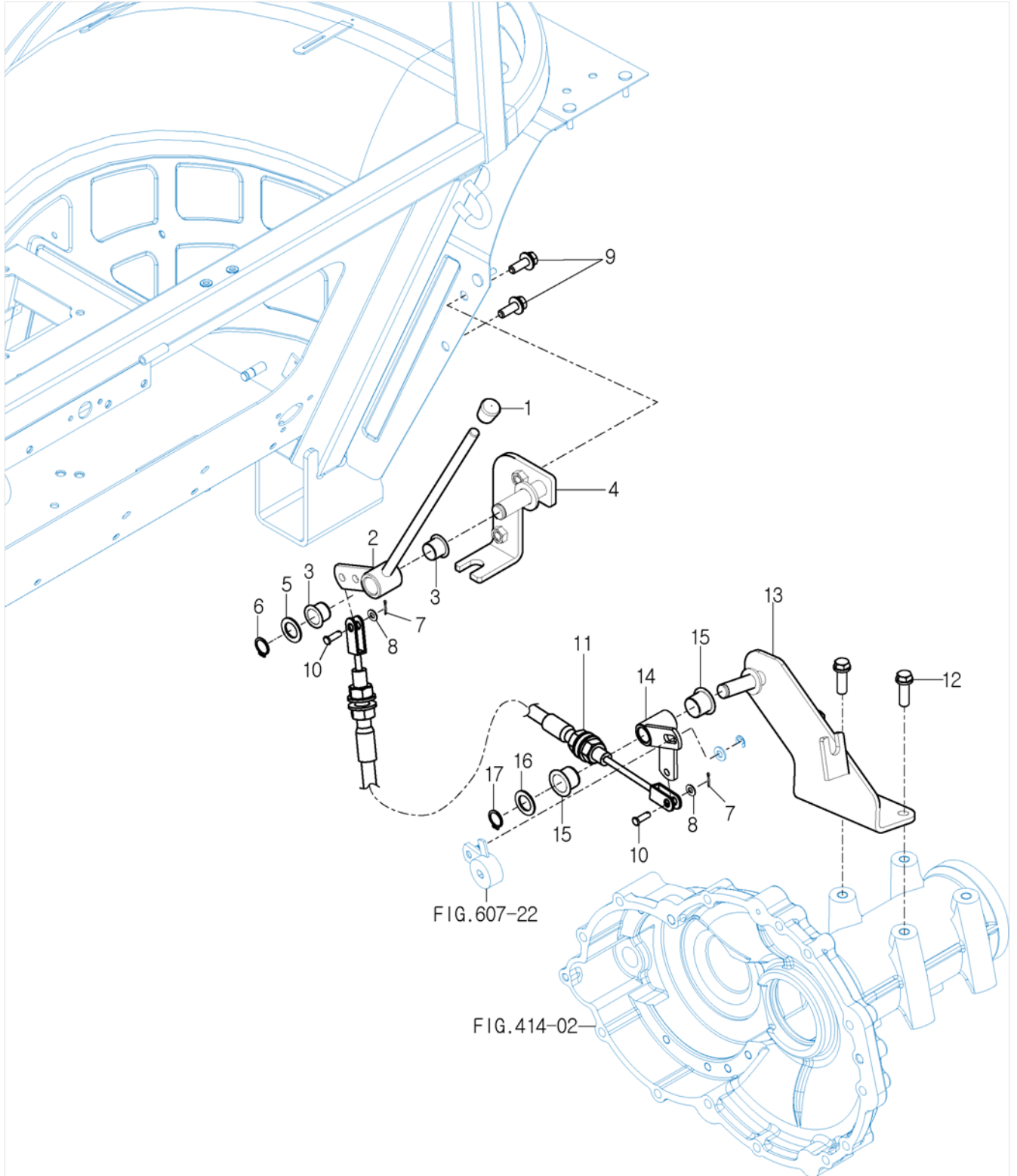
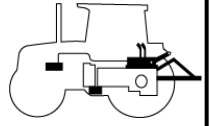
POSITION & DRAFT LEVER(2)

RK55S / RK55SC

P2

YEAR

2017



NOTE



# FIG 608

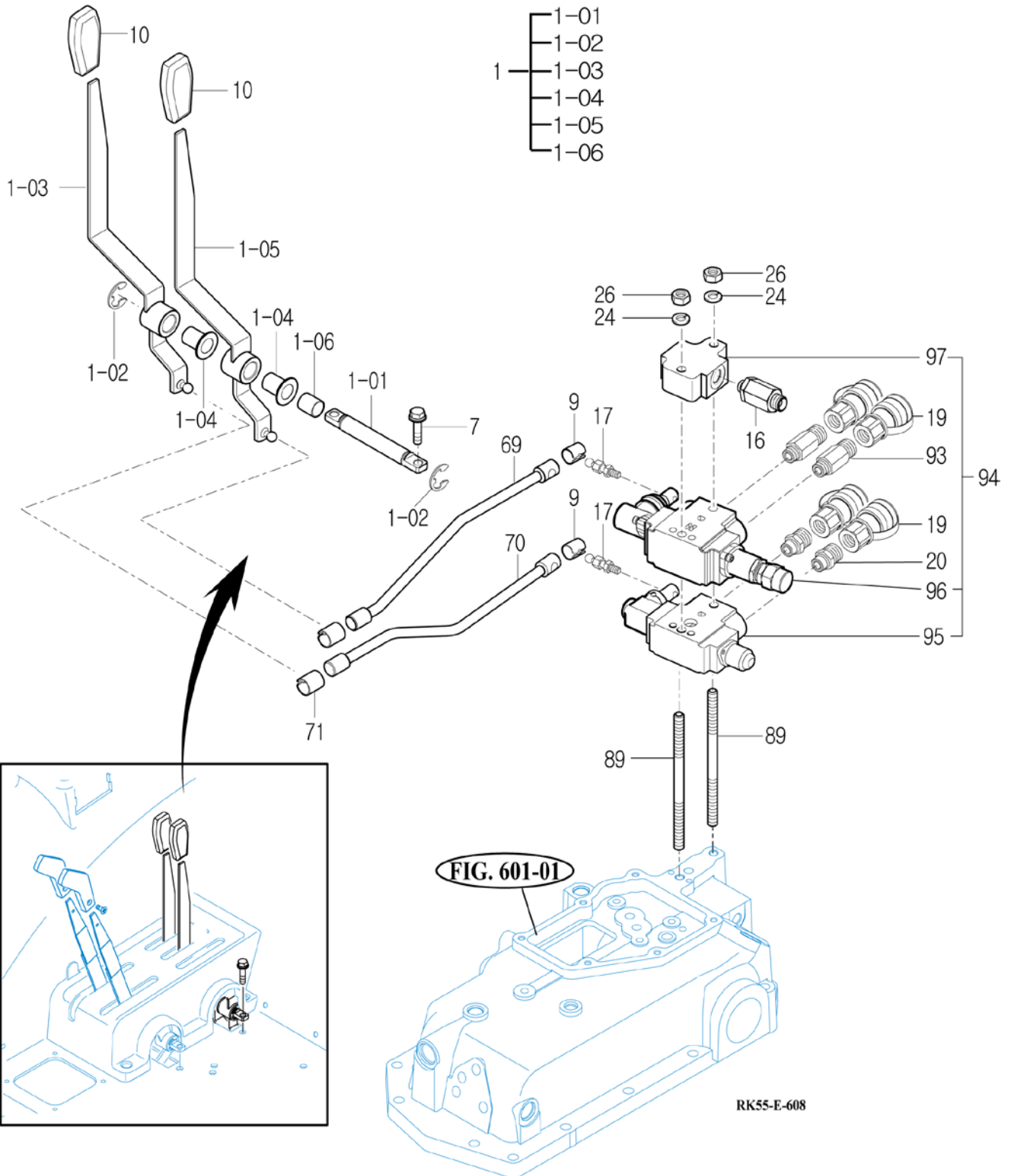
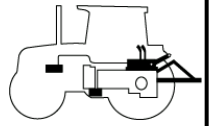
# EXTERIOR HYD.VALVE

RK55S / RK55SC

P1

YEAR

2017



NOTE

KEY NO.		PART NO.	DESCRIPSTION	SPEC.	QTY.		REPAIR	EFFECTIVE DATE	REMARKS
					RK55SC	RK55S			
608	001	15157093100	LEVER SUB, AUX			1	1		
608	00101	14527092110	.SHAFT			1	1		
608	00102	V7081400150	.E-RING	15		2	2		
608	00103	14527092251	.COLLER , SPACE			1	1		
608	00104	14527092120	.BUSH , NYLON/16X18X27			2	2		
608	00105	14527093301GB	.LEVER COMP , AUX/B			1	1		
608	00106	14527092251	.COLLER , SPACE			1	1		
608	007	V2183608020	BOLT , HEX/SP	M8X20		2	2		
608	009	17995080091	SPRING , LOCK			2	2		
608	010	14322420040	GRIP , B			2	2		
608	016	17975163000	FILTER ASSY , LINE			1	1		
608	017	16745080170	JOINT , LINK			2	2		
608	019	16995152360	COUPLING , 1/2	PT1/2		4	4		
608	020	17995080201	UNION , 1/2			2	2		
608	024	V4011600100	WASHER , SPRING	M10		2	2		
608	026	V3043600100	NUT , HEX/2	M10		2	2		
608	069	15157095201	ROD COMP , AUX/B			1	1		
608	070	14527095101	ROD COMP , AUX/A			1	1		
608	089	16735080892	BOLT , STUD 155			2	2		
608	093	17995080931	.UNION , 1/2 L60			2	2		
608	094	15155080151	VALVE SUB , AUX EXTERIOR 4P			1	1	-2018.12.09	
608	094	13875082000	VALVE SUB , AUX EXTERIOR 4P			1	1	2018.12.10-	
608	095	19965080962	.VALVE , AUX EXTERIOR SPRING			1	1		
608	096	12285080941	.VALVE , AUX EXTERIOR FLOATING/D			1	1	C -2018.12.09	
608	096	17335080941	.VALVE , AUX EXTERIOR FLOATING/2D			1	1	C 2018.12.10-	
608	097	14525080971M	.COVER , EXTERIOR HYD			1	1		
NOTE									

FIG 609

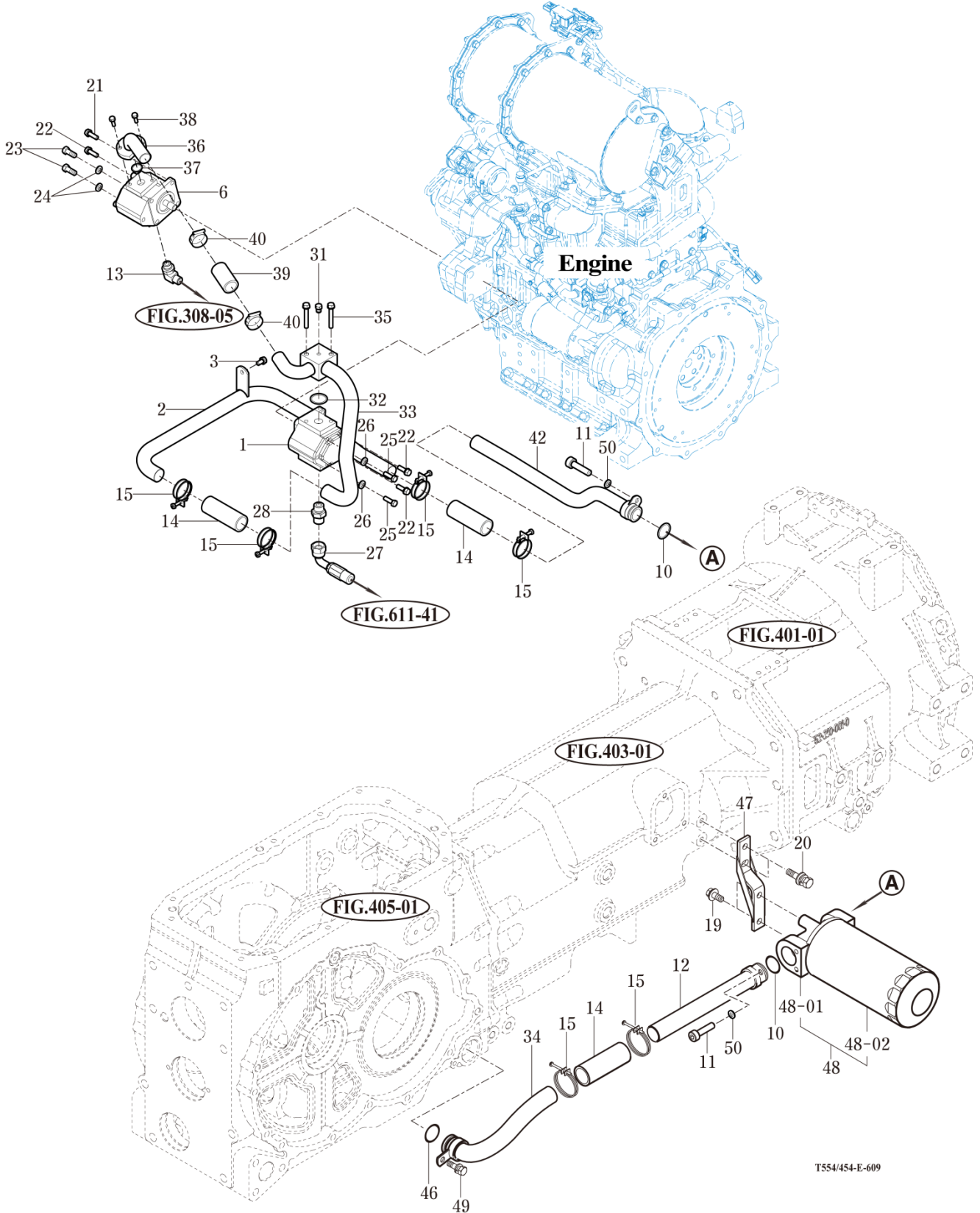
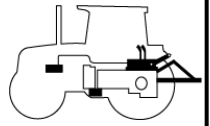
HYDRAULIC PIPE

RK55S / RK55SC

P1

YEAR

2017



T554/454-E-609

NOTE



FIG 610

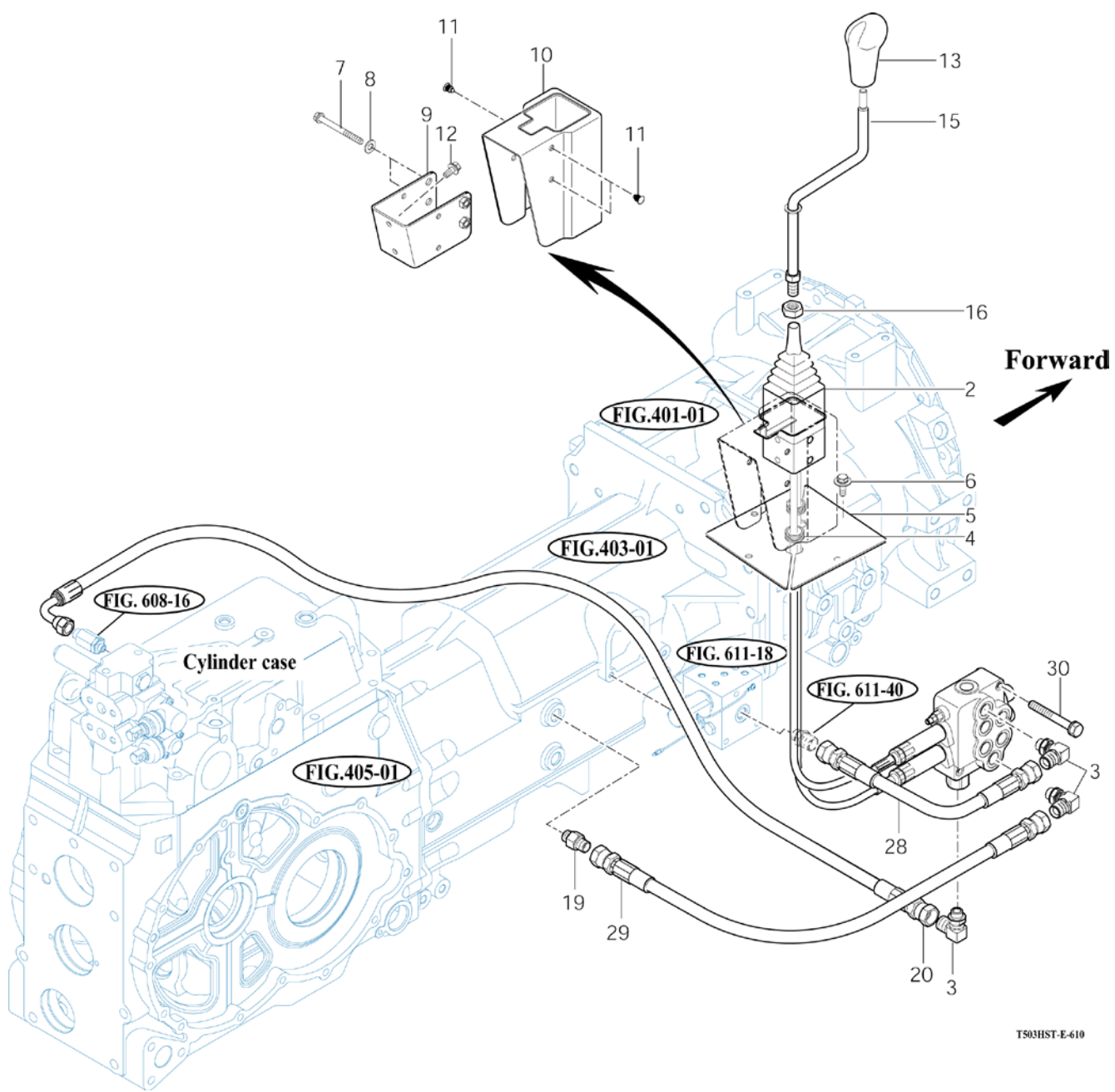
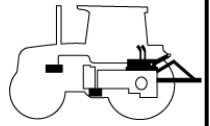
JOYSTICK

RK55S / RK55SC

P1

YEAR

2017



TS03HST-E-610

NOTE





FIG 611

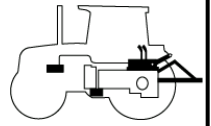
HYDRAULIC HOSE

RK55S / RK55SC

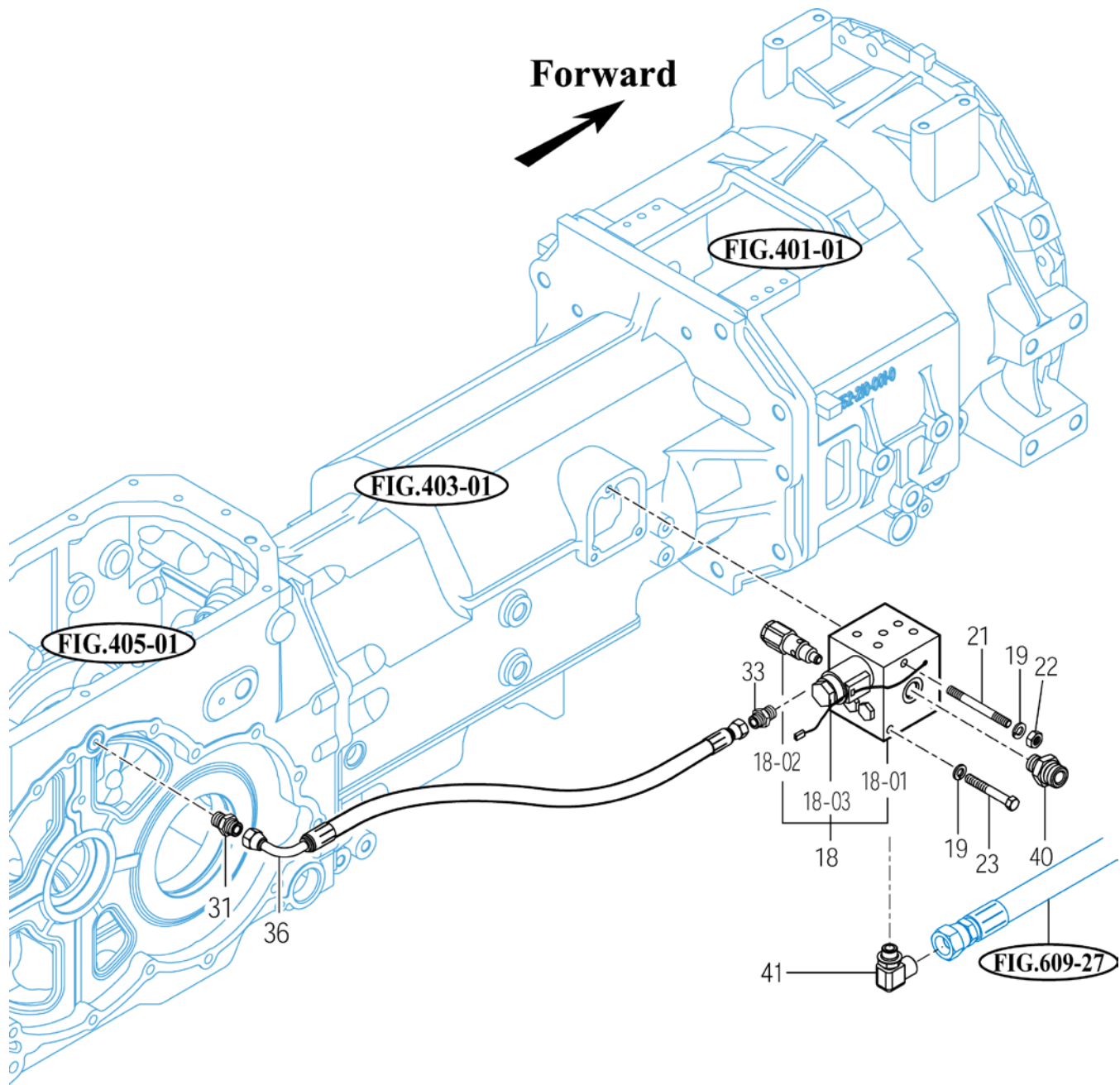
P1

YEAR

2017



Forward  
↑



T554/454-E-611

NOTE

KEY NO.		PART NO.		DESCRIPTION		SPEC.	QTY.		REPAIR	YEAR		REMARKS
							RK55SC	RK55S		2017		
611	018	17975182000	VALVE ASSY , PTO				1	1				
611	01801	14725182100	.VALVE , PTO				1	1	C			
611	01802	16490110001	.VALVE ASSY , RELIEF				1	1				
611	01803	14725182210	.SOLENOID COIL				1	1				
611	019	V4011600080	WASHER , SPRING		M8		3	3				
611	021	V2513408090	BOLT , STUD/2		M8X90		1	1				
611	022	V3042600080	NUT , HEX/2		M8		1	1				
611	023	V2013608090	BOLT , HEX		M8X90		2	2				
611	031	17971850140	ADAPTER , STRAIGHT PF1/4		PF1/4, PF1/4		1	1				
611	033	37681850141	ADAPTER , STRAIGHT		PT1/4, PF1/4		1	1				
611	036	14525180361	HOSE ASSY . HYD 690				1	1	C			
611	040	17995161130	UNION , PF3/8 PF1/2				1	1				
611	041	17407362300	ELBOW , PF3/8 PF1/2				1	1				
NOTE												

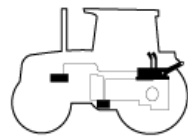


FIG 612

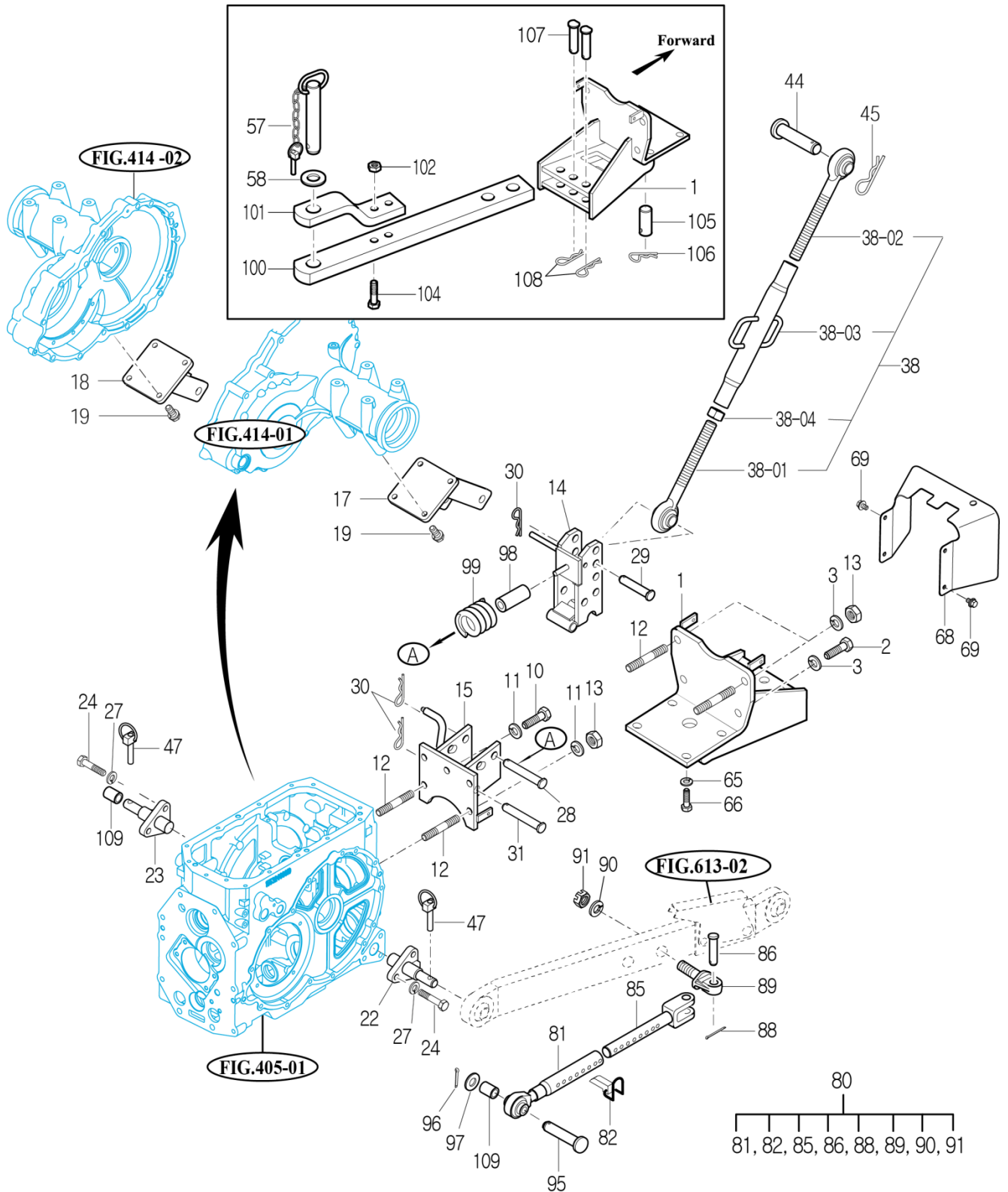
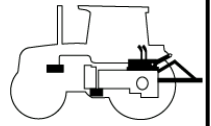
HITCH & 3-POINT LINK

RK55S / RK55SC

P1

YEAR

2017



NOTE

T553-E-612

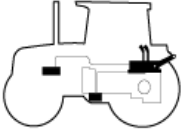
FIG 612		HITCH & 3-POINT LINK			P1	YEAR		
						2017		
RK55S / RK55SC								
KEY NO.	PART NO.	DESCRIPTION	SPEC.	QTY.		REPAIR	EFFECTIVE DATE	REMARKS
				RK55SC	RK55S			
612 001	15175202002GB	BRACKET COMP, SWING DRAWBAR		1	1			
612 002	V2013616035	BOLT, HEX	M16X35	2	2			
612 003	V4011600160	WASHER, SPRING	M16	4	4			
612 010	V2013616035	BOLT, HEX	M16X35	3	3			
612 011	V4011600160	WASHER, SPRING	M16	5	5			
612 012	V2513416035	BOLT, STUD/2	M16X35	4	4			
612 013	V3043600160	NUT, HEX/2	M16	4	4			
612 014	16735222102GB	LINK COMP		1	1			
612 015	15185222000GB	BRACKET COMP		1	1			
612 017	14525254100GB	BRACKET COMP, RR		1	1			
612 018	14525254100GB	BRACKET COMP, RR		1	1			
612 019	V2173612030	BOLT, HEX/S	M12X30	8	8			
612 022	15685252204	PIN COMP, LH		1	1			
612 023	15685252801	PIN COMP, RH		1	1			
612 024	V2013614040	BOLT, HEX	M14X40	6	6			
612 027	V4011600140	WASHER, SPRING	M14	6	6			
612 028	15645250010	PIN, 19X122		1	1			
612 029	15645220020	PIN, 19X95		1	1			
612 030	14445140051	PIN, 19		3	3			
612 031	15645250010	PIN, 19X122		1	1			
612 038	16505245501GB	LINK ASSY, TOP LINK		1	1			
612 03801	16505245510	.LINK COMP, RH TOP LINK		1	1			
612 03802	16505245520	.LINK COMP, LH TOP LINK		1	1			
612 03803	14555140251	.TURNBUCKLE COMP		1	1			
612 03804	16505245530	.NUT, HEX		1	1			
612 044	15645220011	PIN, 19X86		1	1			
612 045	14445140051	PIN, 19		1	1			
612 047	14215020020	PIN, LINK		2	2			
612 057	S0973063031	PIN ASSY		1	1			
612 058	15252470010	RUBBER, CUSHION		1	1			
612 065	V4011600140	WASHER, SPRING	M14	4	4			
612 066	V2013614035	BOLT, HEX	M14X35	4	4			
612 068	13605200012GB	COVER, SHIELD		1	1			
612 069	V2183608016	BOLT, HEX/SP		4	4			
612 080	15155253000GB	LINK ASSY, ADJUSTER		2	2			
612 081	15155253100	.ROD SUB, FR		2	2			
612 082	17705254200	.PIN		2	2			
612 085	15155253300	.ROD SUB, REAR		2	2			
612 086	15155253400	.PIN, ø20X59		2	2			
612 088	V5001940035	.PIN, SPLIT	4.0X35	2	2			
612 089	15155253500	.EYEBOLT		2	2			
612 090	V4111600220	.WASHER, PLAIN	M22	2	2			
612 091	V3343600220	.NUT, HEX FINE/2	M22	2	2			
612 095	15645220020	PIN (19X95)		2	2			
612 096	V5001950035	PIN, SPLIT		2	2		-2018.12.17	
612 096	14445140051	PIN, 19		2	2		2018.12.18-	
612 097	V4111600200	WASHER, PLAIN	M20	2	2			
612 098	17995220990	RUBBER, GUIDE		1	1			
		-NEXT-						
NOTE								

FIG 612

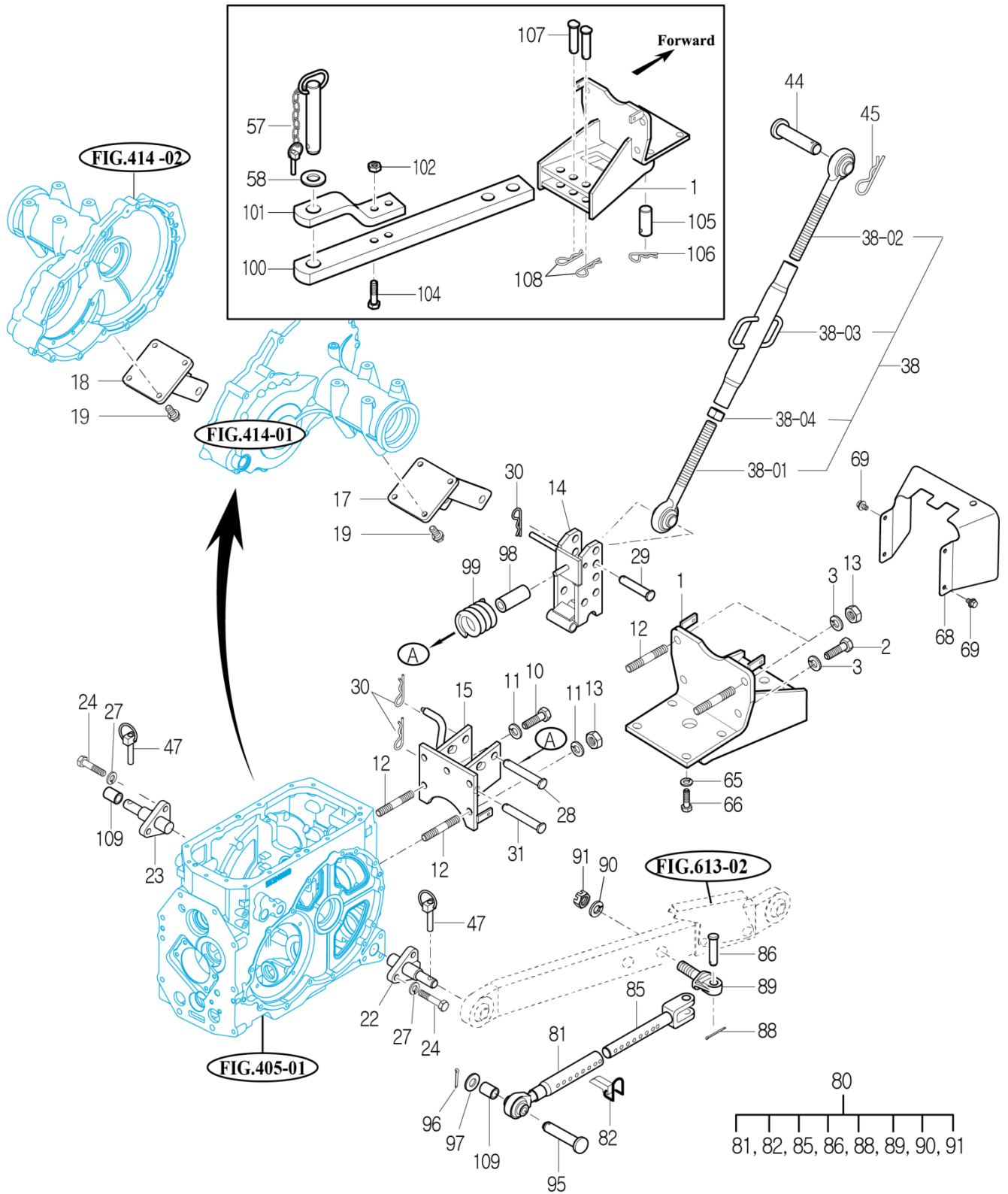
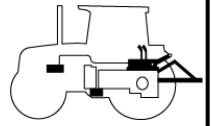
HITCH & 3-POINT LINK

RK55S / RK55SC

P2

YEAR

2017



T553-E-612

NOTE



FIG 613

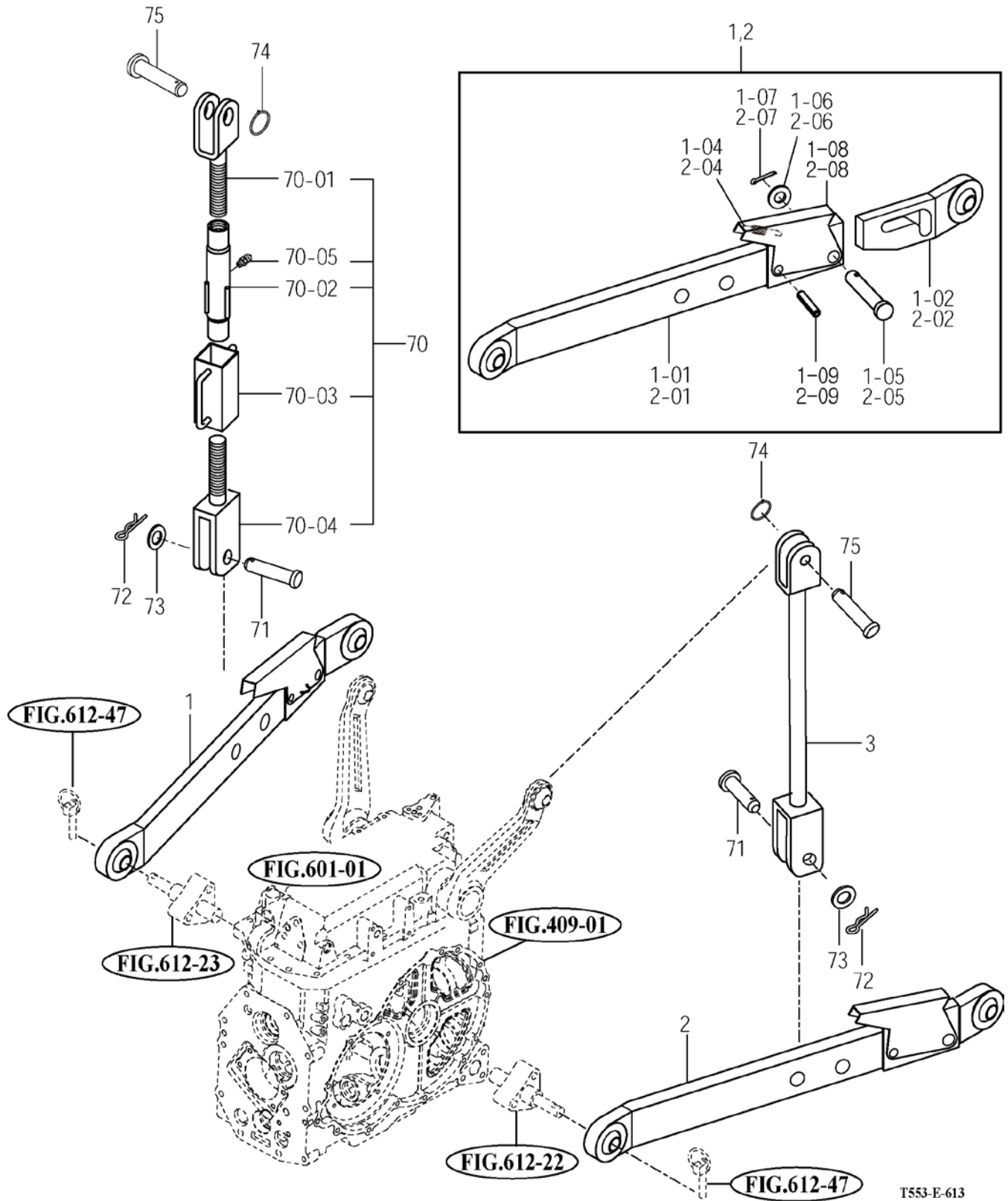
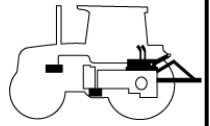
LOWER LINK & LIFT ROD

RK55S / RK55SC

P1

YEAR

2017



T553-E-613

NOTE





FIG 701

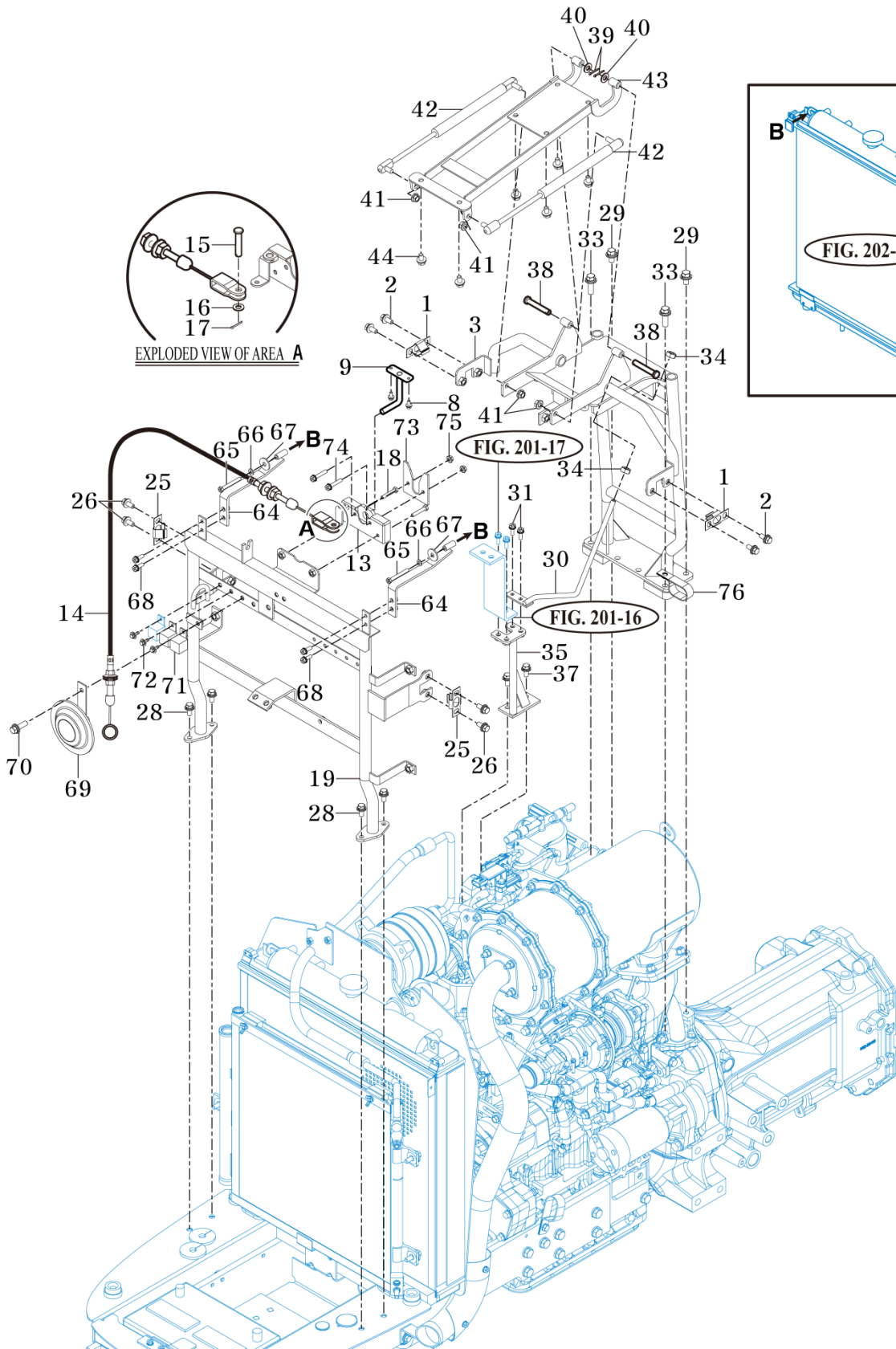
# HOOD (1)

RK55S / RK55SC

P1

YEAR

2017



NOTE



FIG 702

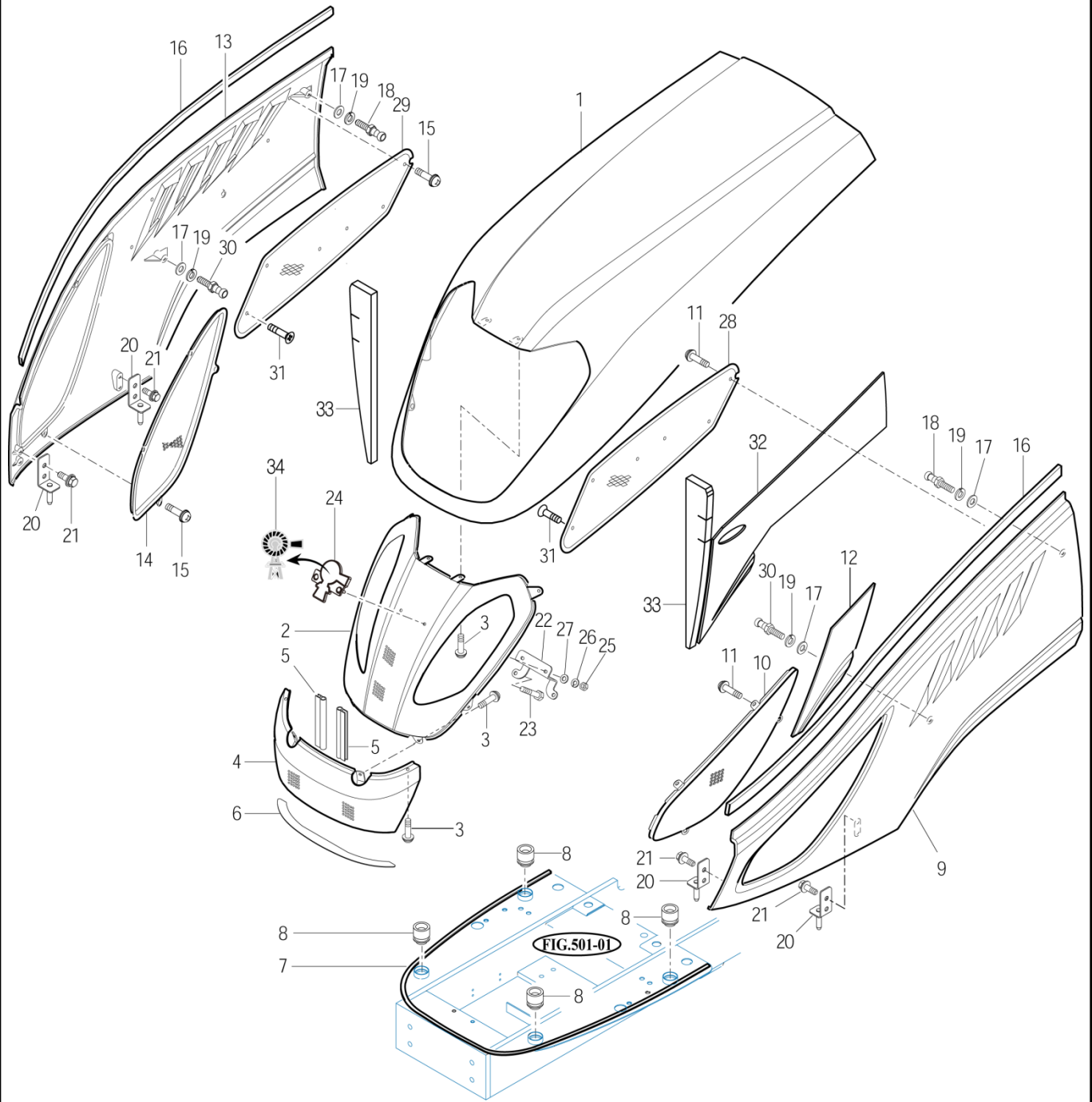
# HOOD (2)

RK55S / RK55SC

P1

YEAR

2017



T554/454-E-702

NOTE



FIG 704A

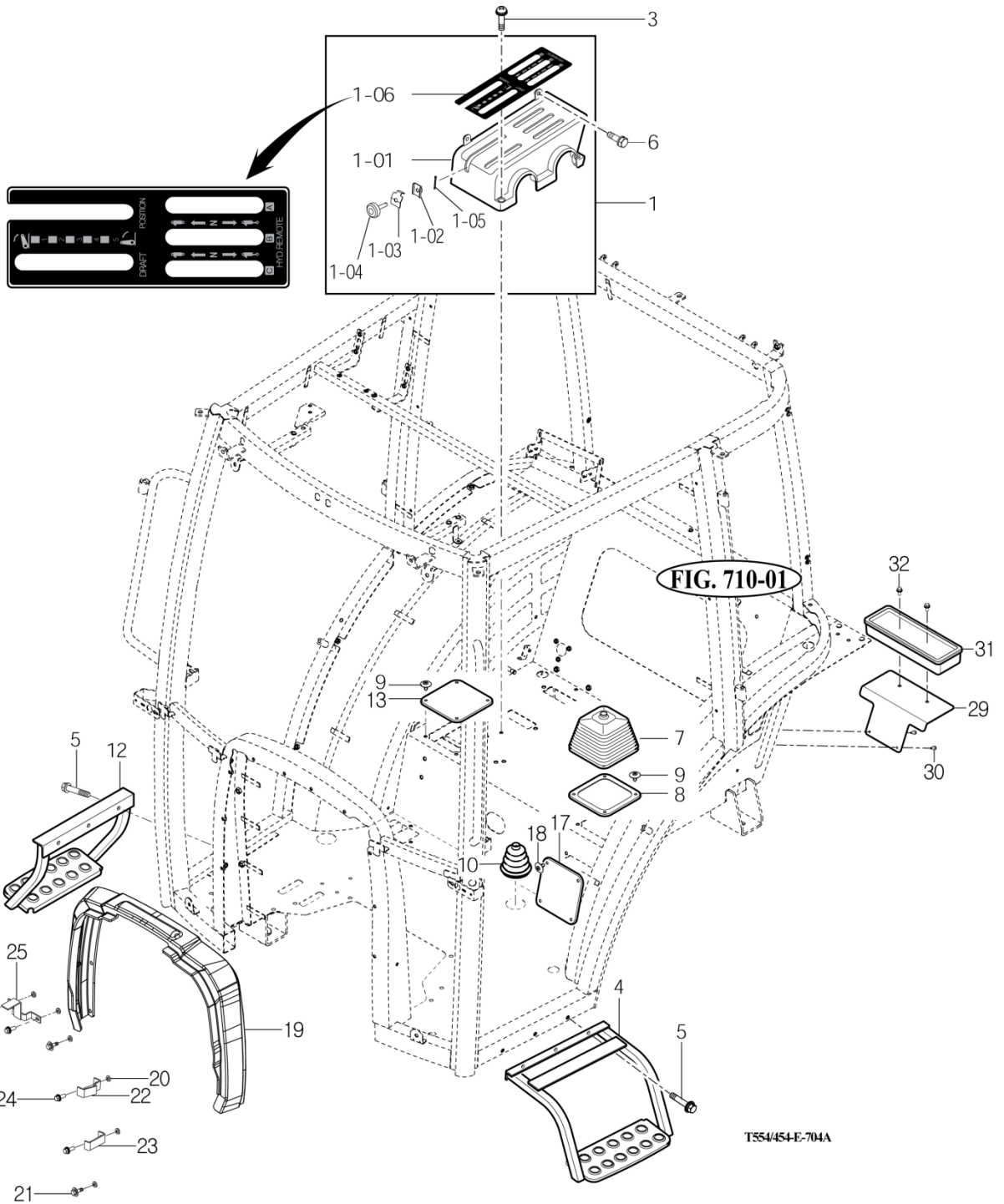
RK55S / RK55SC

LEVER COVER & STEP

P1

YEAR

2017



NOTE



FIG 704B

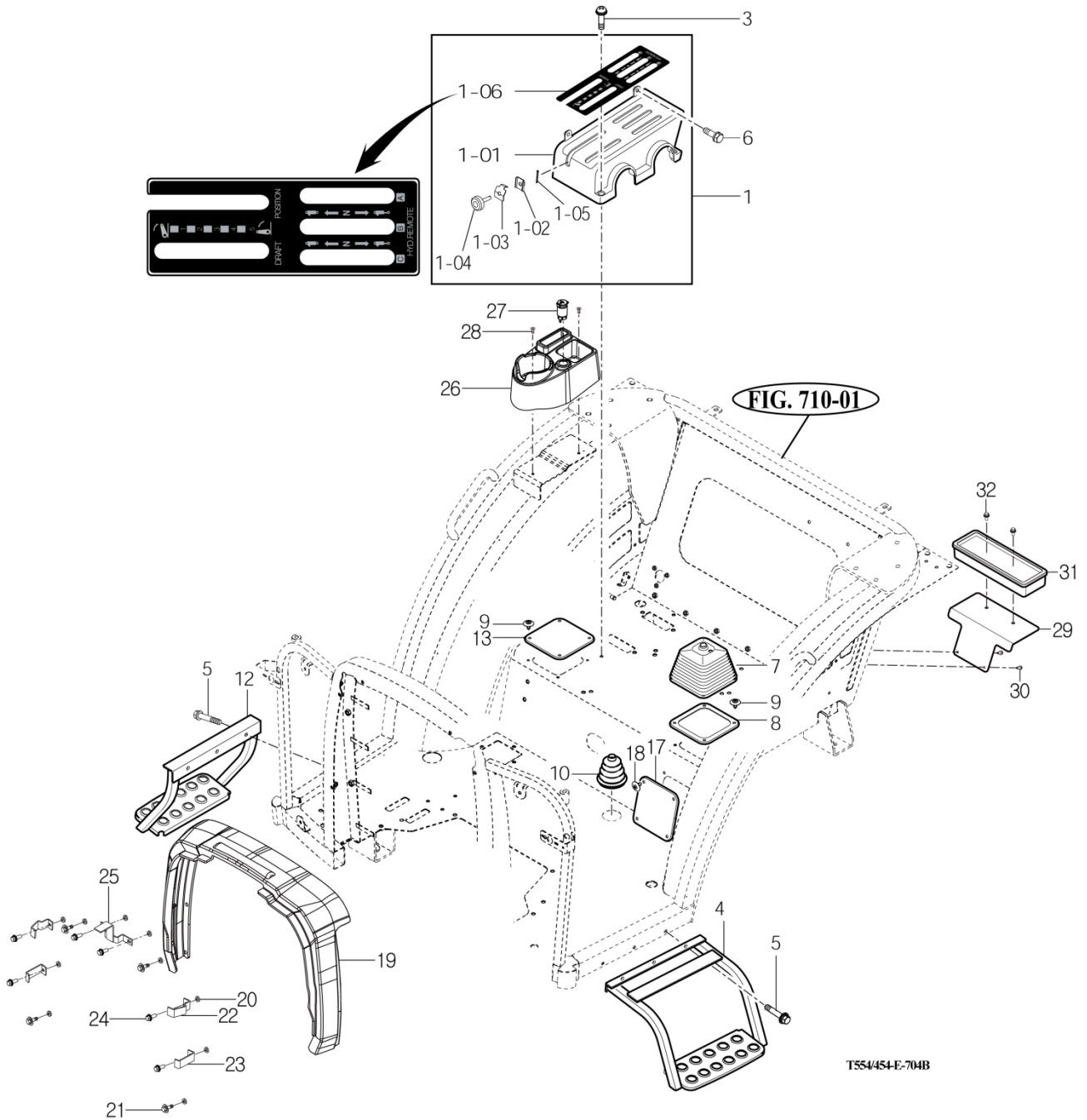
LEVER COVER & STEP-Non CAB

RK55S / RK55SC

P1

YEAR

2017



T554/454-E-704B

NOTE





FIG 705

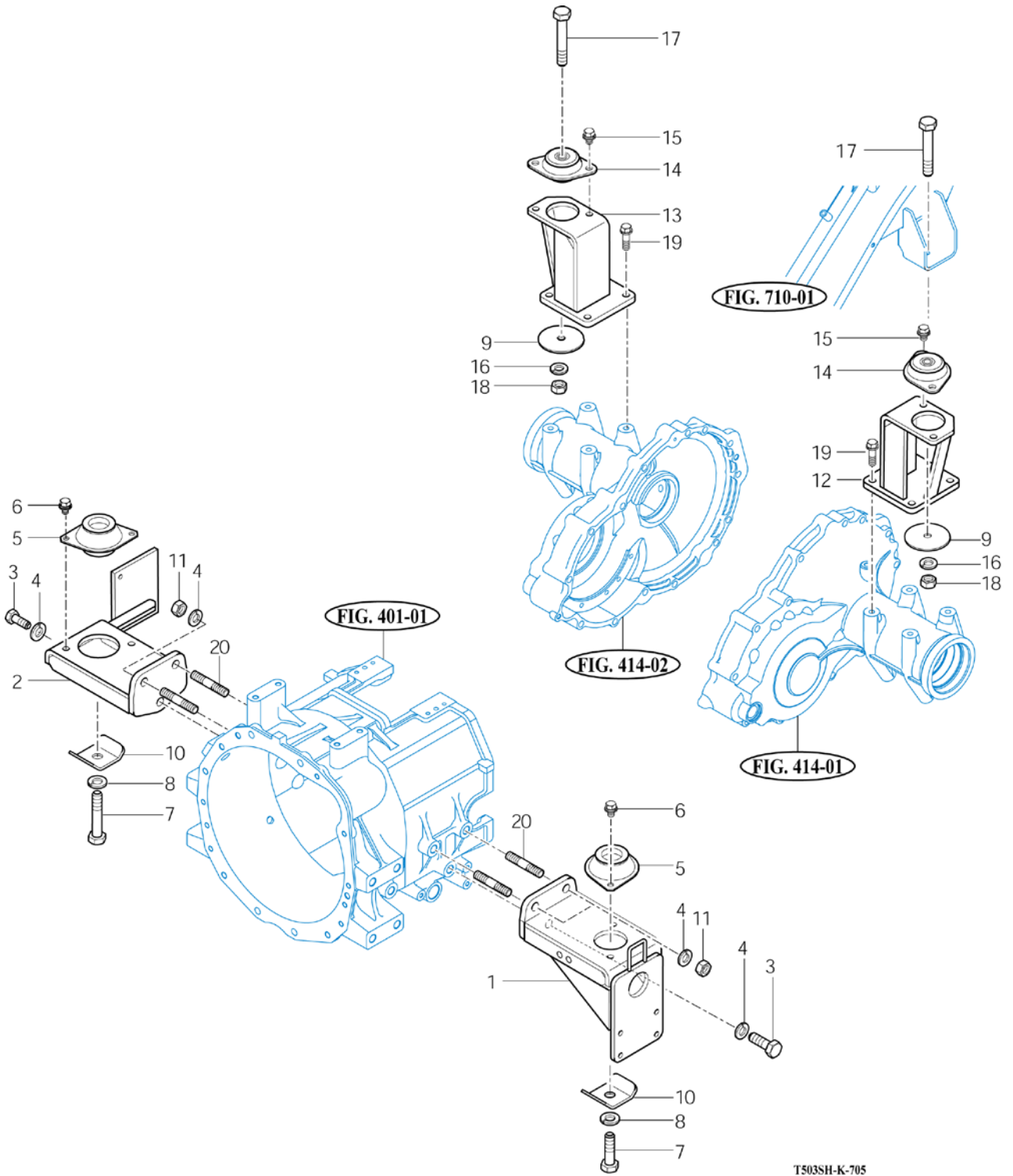
FRONT & REAR MOUNTING

RK55S / RK55SC

P1

YEAR

2017



T503SH-K-705

NOTE



FIG 706

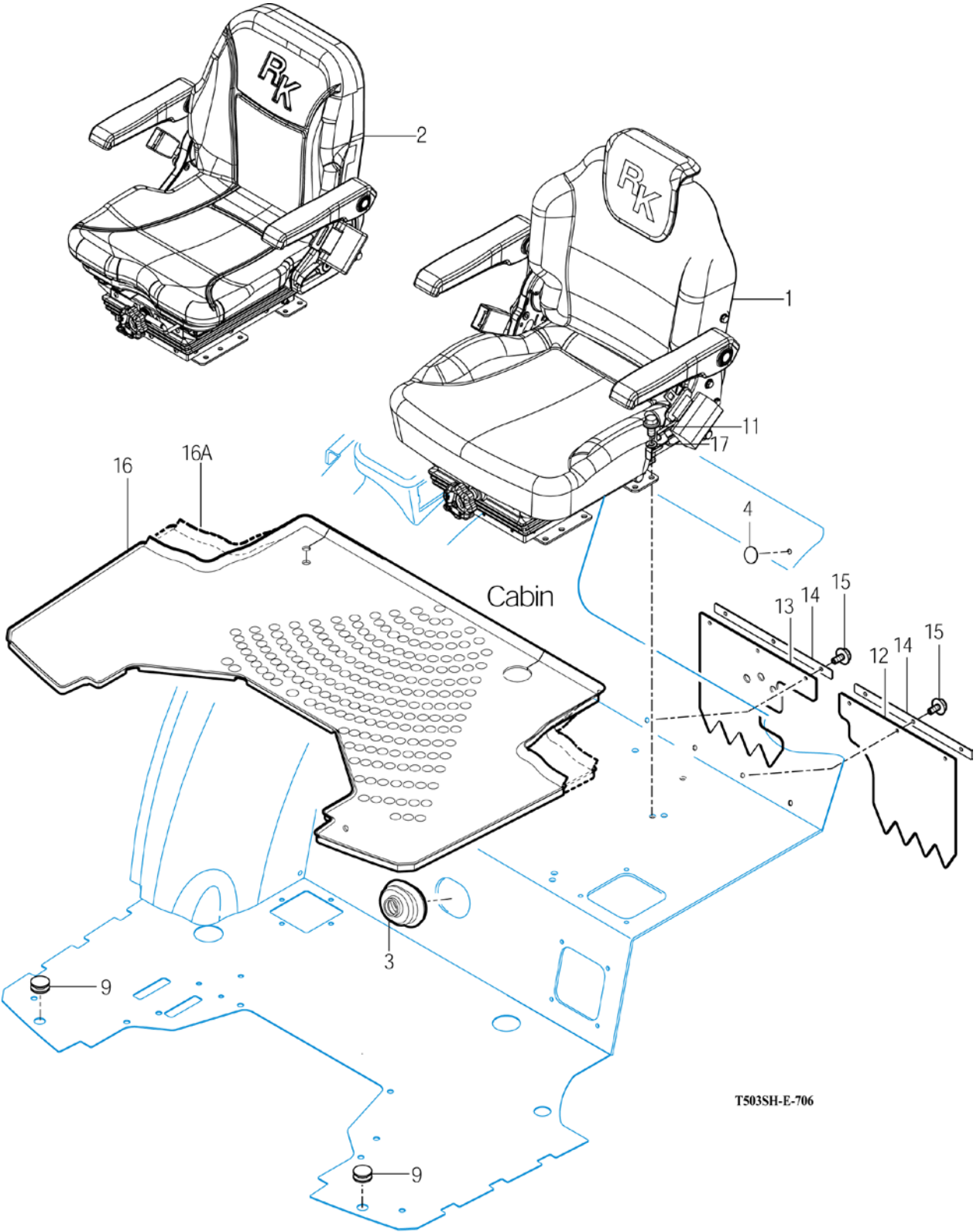
SEAT & MAT

RK55S / RK55SC

P1

YEAR

2017



NOTE



FIG 709

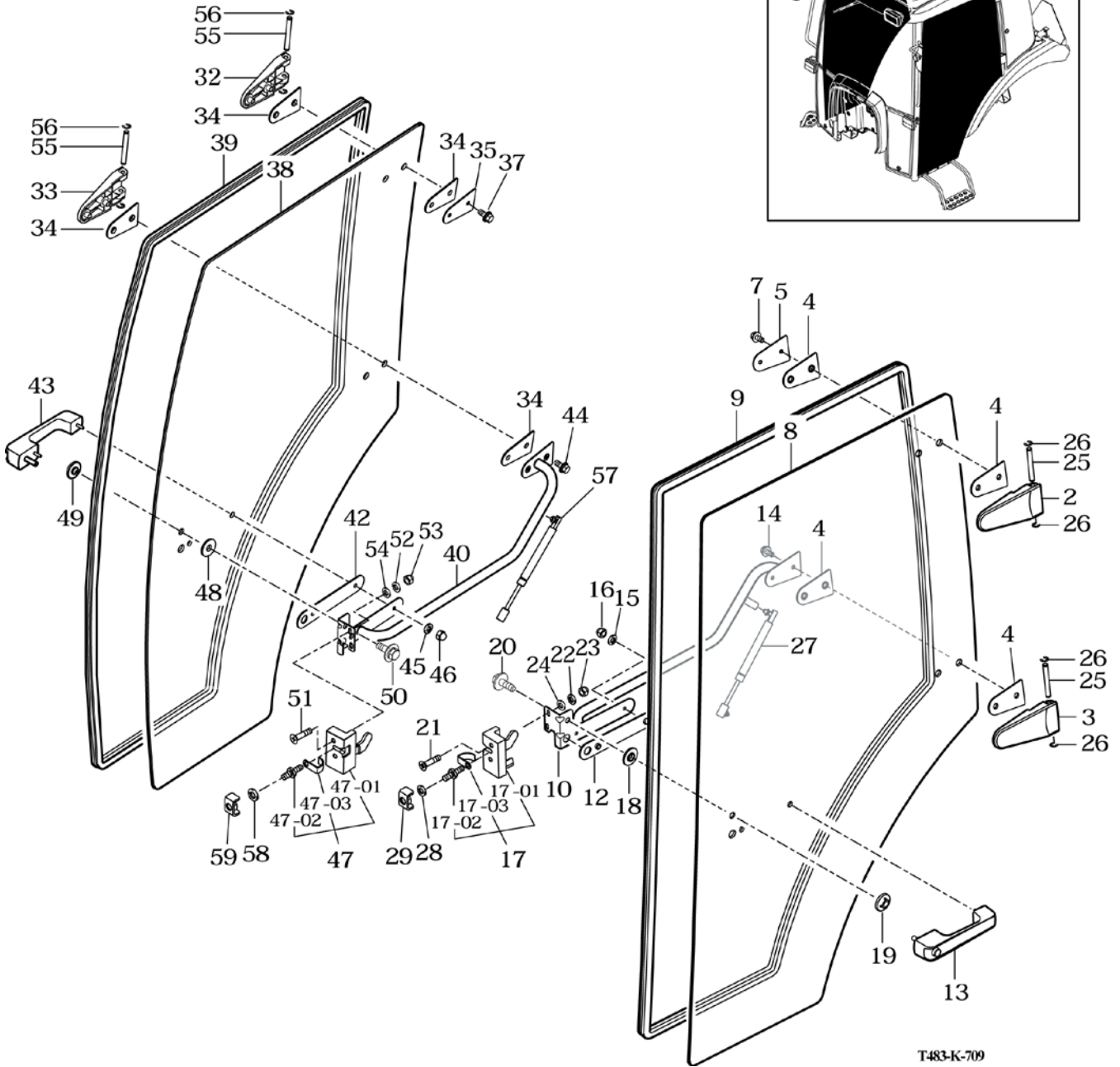
DOOR

RK55S / RK55SC

P1

YEAR

2017



T483-K-709

NOTE

FIG 709		DOOR				P1	YEAR	
RK55S / RK55SC							2017	
KEY NO.	PART NO.	DESCRIPSTION	SPEC.	QTY.		REPAIR	EFFECTIVE DATE	REMARKS
				RK55SC	RK55S			
709	002	14527052300	HINGE COMP , UPR		1	-		
709	003	14527052400	HINGE COMP , LOW		1	-		
709	004	14527052110	GASKET , DOOR HINGE		4	-		
709	005	14527052120GB	PLATE , DOOR HINGE		1	-		
709	007	V2183608020	BOLT , HEX/SP	M8X20	2	-		
709	008	14527052131	GLASS , LH/ DOOR	6t	1	-	C	
709	009	14527052140	INSULATOR/DOOR		1	-	C	
709	010	14527052500GB	GUIDE COMP ,LH/ DOOR		1	-		
709	012	14527052150	GASKET,DOOR GRIP		1	-		
709	013	14527052600	GRIP ASSY, LOCK/HANDLE		1	-		
709	014	V2183608020	BOLT , HEX/SP	M8X20	2	-		
709	015	V4011600060	WASHER , SPRING	M6	2	-		
709	016	V3402700060	NUT , CAP	M6	2	-		
709	017	14527052700	LOCK SET , LH/DOOR		1	-		
709	01701	14527052710	.LOCK ASSY, LH/DOOR		1	-		
709	01702	14527052720	.STRIKER		1	-		
709	01703	14527052730	.GUARD		1	-		
709	018	15817401130	GROMMET , 13X17X02		1	-		
709	019	14527042500	NUT COMP , GLASS		1	-		
709	020	V2193606012	BOLT , HEX/SPL	M6X12	1	-		
709	021	V1122608040	SCREW , C/R FLAT	M8X40	2	-		
709	022	V4011600080	WASHER , SPRING	M8	2	-		
709	023	V3412700080	NUT , SMALL CAP	M8	2	-		
709	024	V4111600080	WASHER , PLAIN		2	-		
709	025	14527041110	PIN, HINGE DOOR	D=8	2	-		
709	026	V7082400070	E-RING	7	4	-		
709	027	14527301080	DAMPER ASSY , DOOR	20KG	1	-		
709	028	V4011600100	WASHER , SPRING	M10	1	-		
709	029	14527062500GB	BRACKET COMP , DOOR LOCK		1	-		
709	032	14527052300	HINGE COMP , UPR		1	-		
709	033	14527052400	HINGE COMP , LOW		1	-		
709	034	14527052110	GASKET , DOOR HINGE		4	-		
709	035	14527052120GB	PLATE , DOOR HINGE		1	-		
709	037	V2183608020	BOLT , HEX/SP	M8X20	2	-		
709	038	14527053131	GLASS , RH/ DOOR	6t	1	-	C	
709	039	14527052140	INSULATOR/DOOR		1	-	C	
709	040	14527053500GB	GUIDE COMP ,RH/DOOR		1	-		
709	042	14527052150	GASKET,DOOR GRIP		1	-		
709	043	14527052600	GRIP ASSY, LOCK/HANDLE		1	-		
709	044	V2183608020	BOLT , HEX/SP	M8X20	2	-		
709	045	V4011600060	WASHER , SPRING	M6	2	-		
709	046	V3402700060	NUT , HEX CAP	M6	2	-		
709	047	14527053700	LOCK SET , RH/DOOR		1	-		
709	04701	14527053710	.LOCK ASSY, RH/DOOR		1	-		
709	04702	14527052720	.STRIKER		1	-		
709	04703	14527052730	.GUARD		1	-		
709	048	15817401130	GROMMET , 13X17X02		1	-		
709	049	14527042500	NUT COMP , GLASS		1	-		
709	050	V2193606012	BOLT , HEX/SPL		1	-		
			-NEXT-					
NOTE								

FIG 709

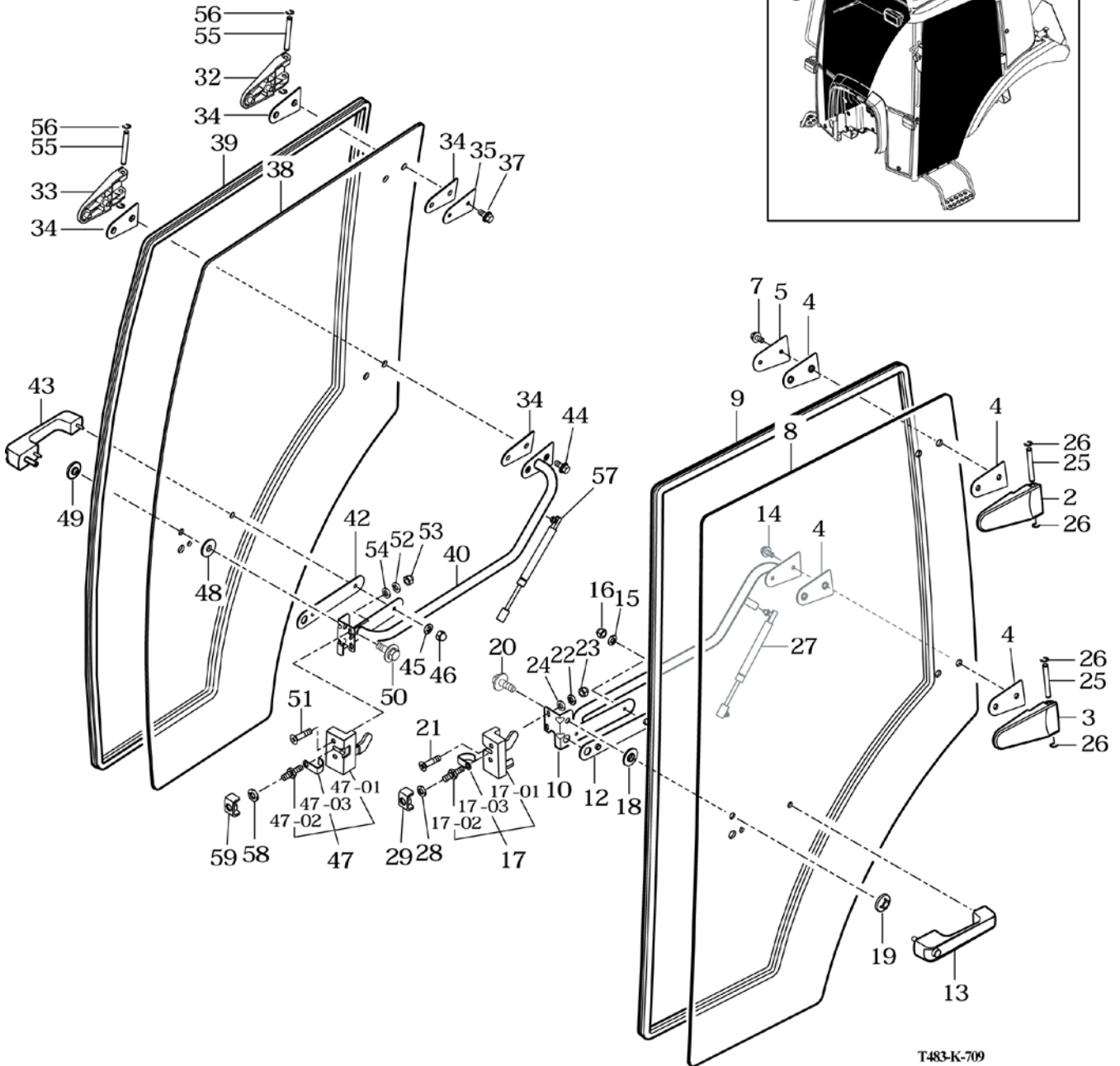
DOOR

RK55S / RK55SC

P2

YEAR

2017



T483-K-709

NOTE





FIG 710A

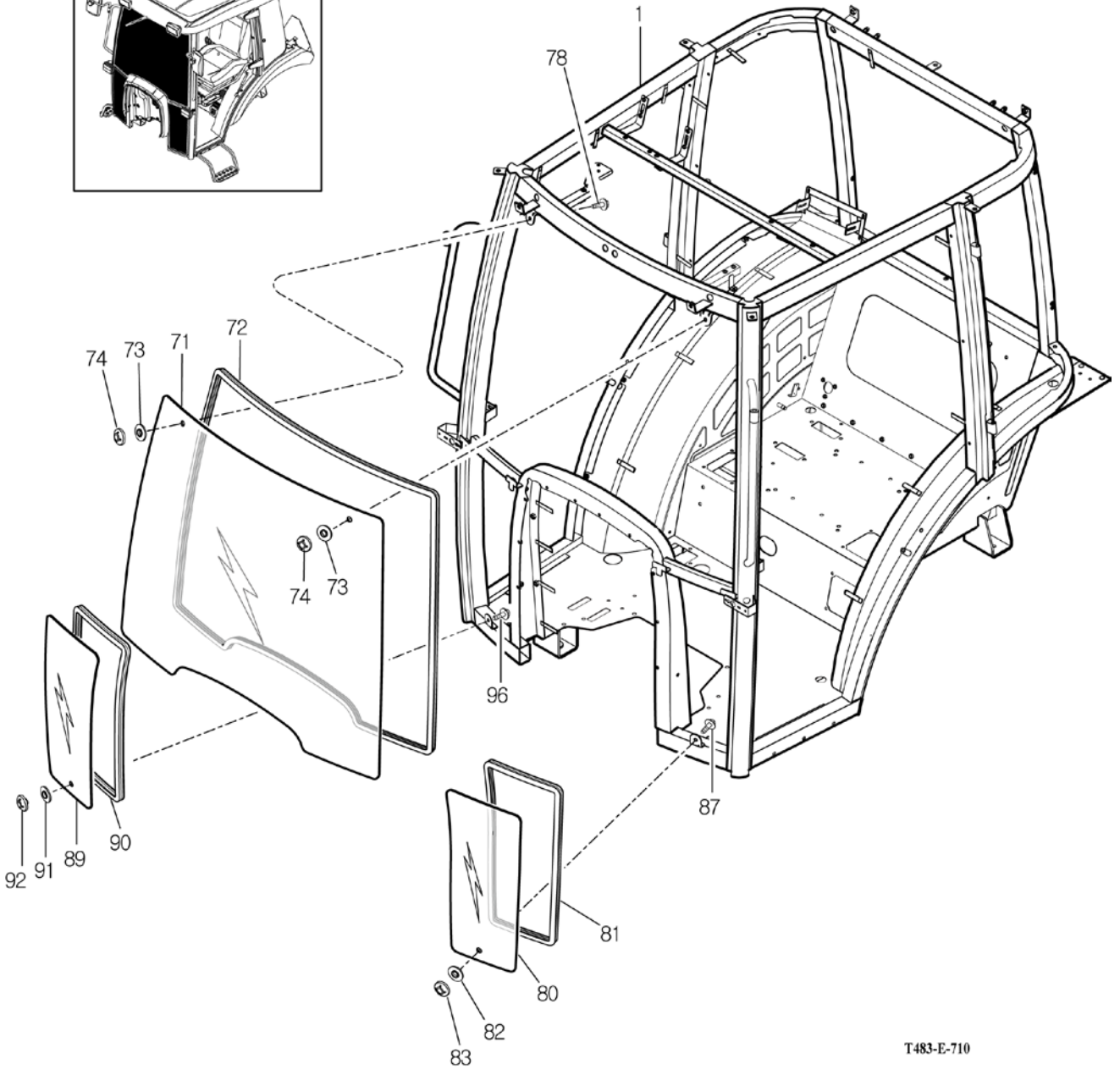
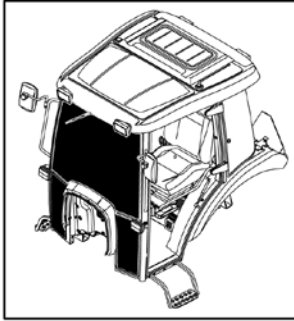
# FRONT GLASS

RK55S / RK55SC

P1

YEAR

2017



T483-E-710

NOTE



FIG 710B

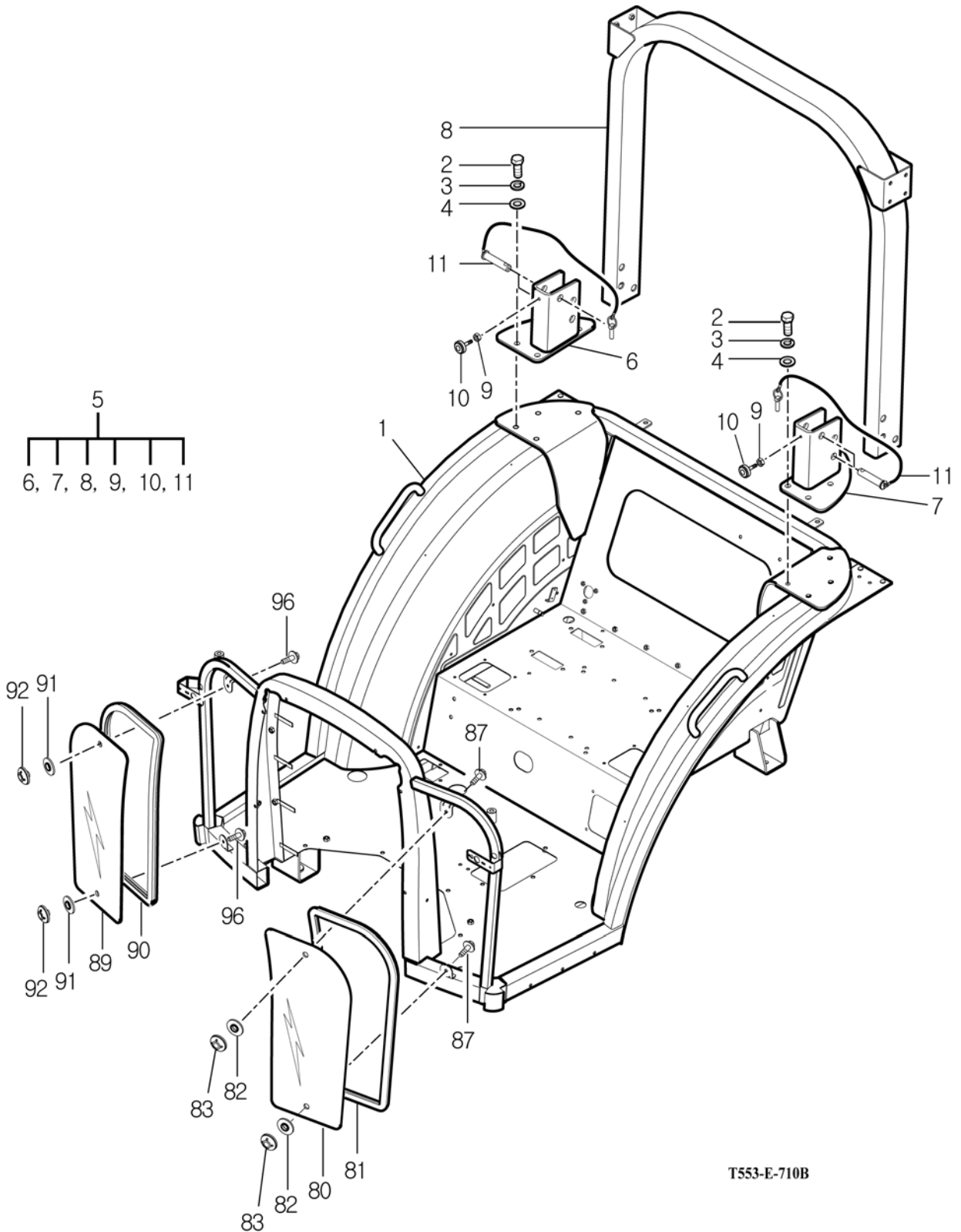
FRAME&2POLES ROPS-Non CAB

RK55S / RK55SC

P1

YEAR

2017



T553-E-710B

NOTE



FIG 711

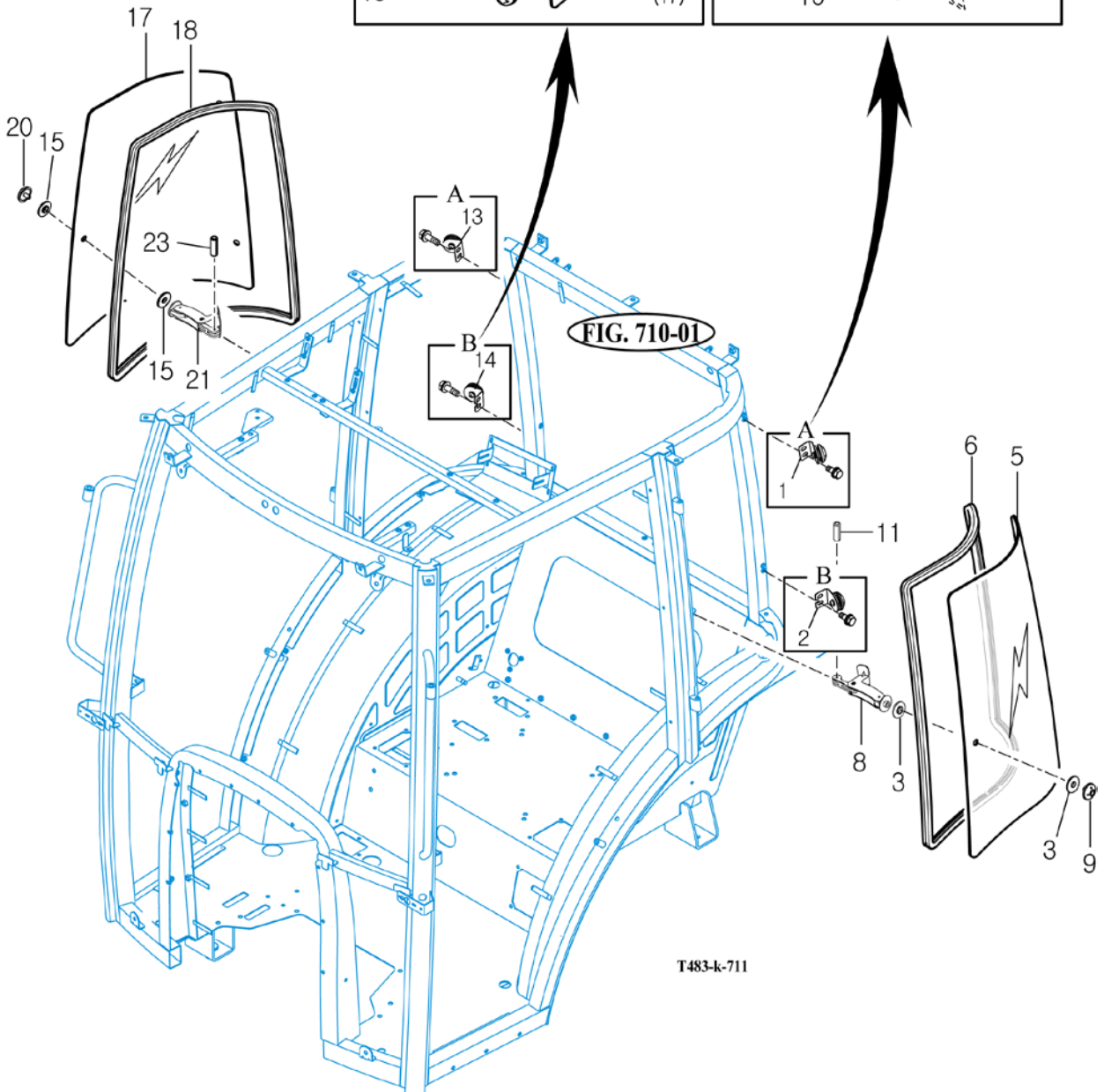
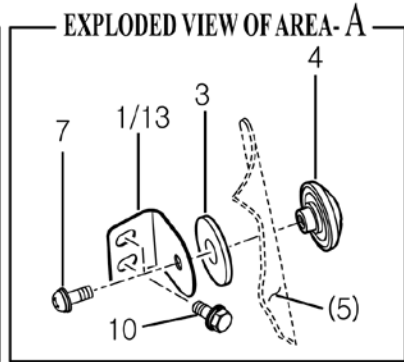
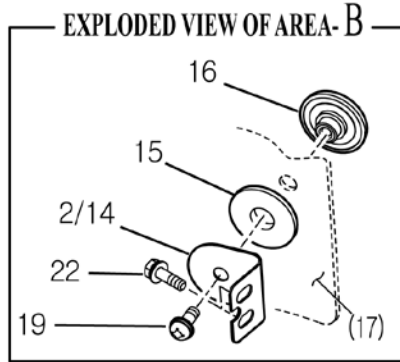
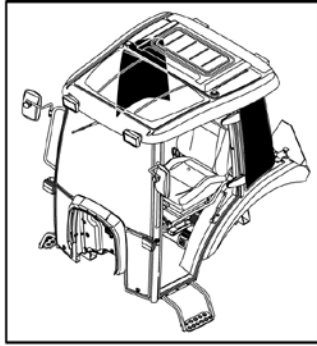
SIDE GLASS

RK55S / RK55SC

P1

YEAR

2017



NOTE



FIG 712

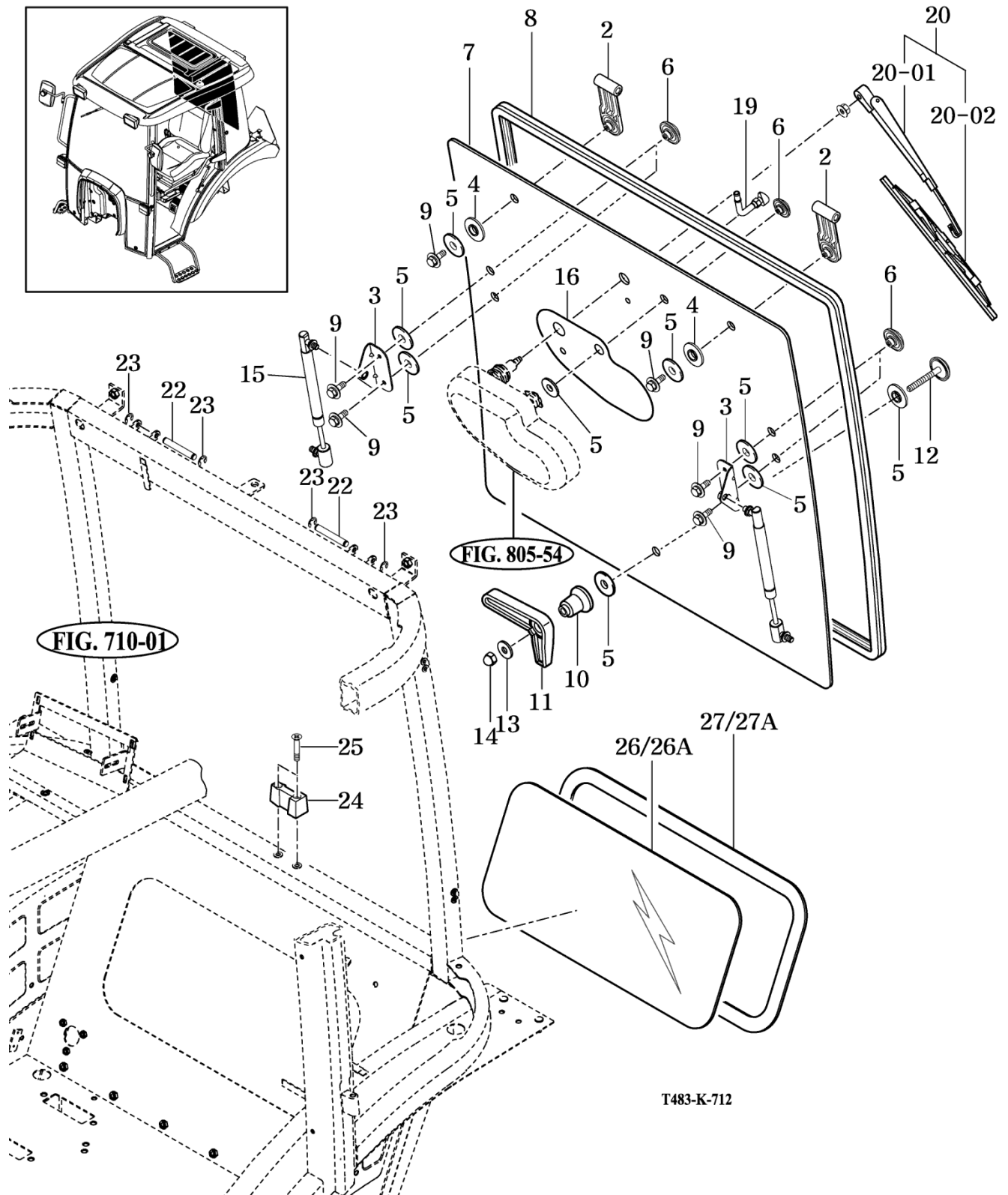
# REAR GLASS

RK55S / RK55SC

P1

YEAR

2017



T483-K-712

NOTE



KEY NO.		PART NO.	DESCRIPSTION	SPEC.	QTY.		REPAIR	EFFECTIVE DATE	REMARKS
					RK55SC	RK55S			
712	002	14527042301	HINGE , REAR GLASS/M6		2	-			
712	003	14527042400GB	BRACKET COMP, RR/DAMPER		2	-			
712	004	15817401140GB	WASHER , 7X36X3		2	-			
712	005	15817401130	GROMMET , 13X17X02		9	-			
712	006	14527042500	NUT COMP , GLASS		5	-			
712	007	14527042111	GLASS , REAR		1	-			
712	008	14527042120	INSULATOR , RR / GLASS		1	-			
712	009	V2193606012	BOLT , HEX/SPL	M6X12	6	-			
712	010	14527042140	SPACE , HANDLE/REAR	N6	1	-			
712	011	14527042150	HANDLE , GLASS/REAR	N6	1	-			
712	012	14527042600	BOLT COMP, GLASS /M8L		1	-			
712	013	21447350060	WASHER(08X22X02)	T=2.3	1	-			
712	014	V3412700080	NUT ,CAP	M8	1	-			
712	015	14527022200	DAMPER ASSY, RR	15KG	2	-			
712	016	17677030030	LABEL, COVER	T=0.08	1	-			
712	019	16997027700	NOZZLE SET		1	-			
712	020	16997033400	WIPER & BLADE ASSY , RR		1	-			
712	02001	16997034100	.ARM , 258		1	-			
712	02002	16997035100	.BRADE,300		1	-			
712	022	14527040060	PIN , RR / HINGE	D=8	2	-			
712	023	V7082400070	E-RING	7	4	-			
712	024	14527040050	STOPPER , RR/LOCK	N6	1	-			
712	025	V1112606040	SCREW , C/R PAN	M6X40	2	-			
712	026	14527071370	GLASS , REAR LOWER		1	-			
712	027	17687011250	INSULATOR , RR LOW		1	-			
NOTE									

FIG 713A

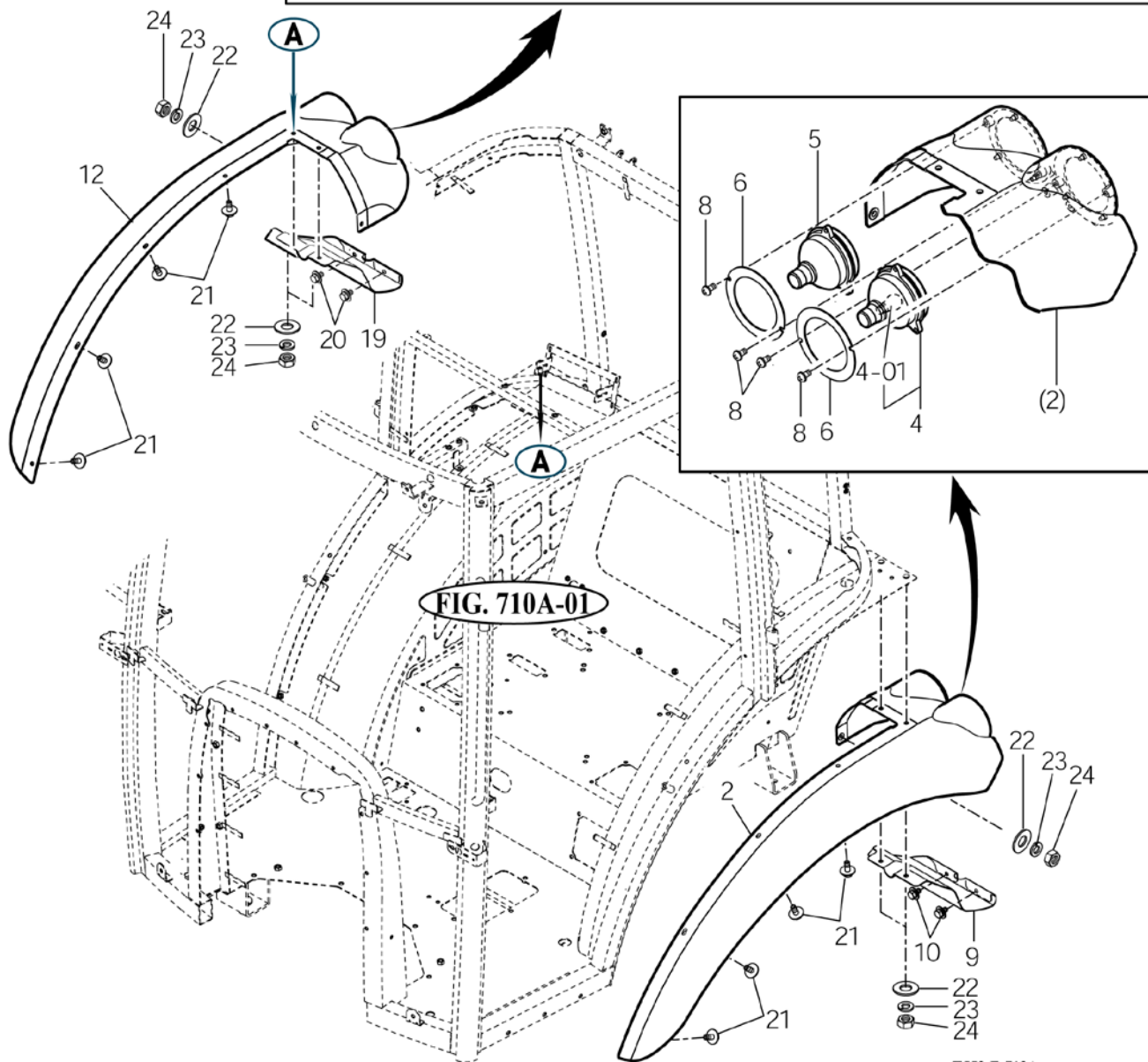
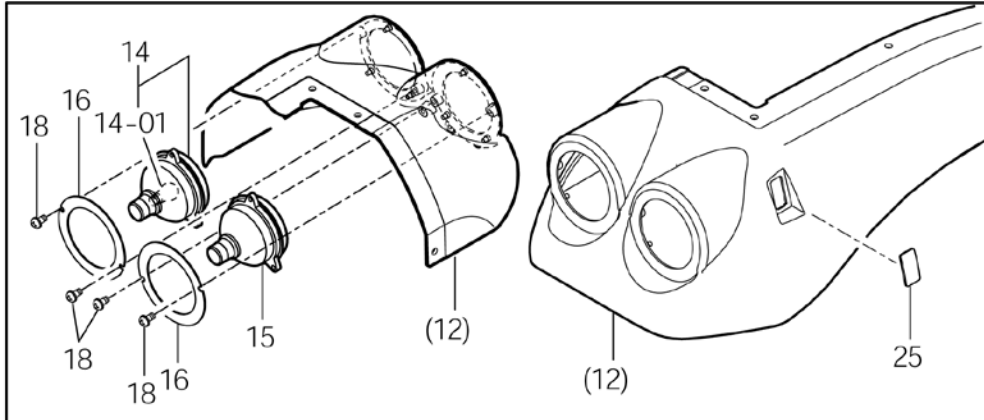
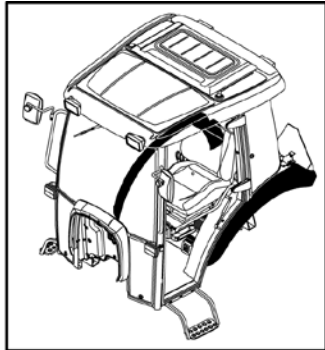
SUB FENDER & COVER

RK55S / RK55SC

P1

YEAR

2017



T553-E-713A

NOTE



FIG 713B

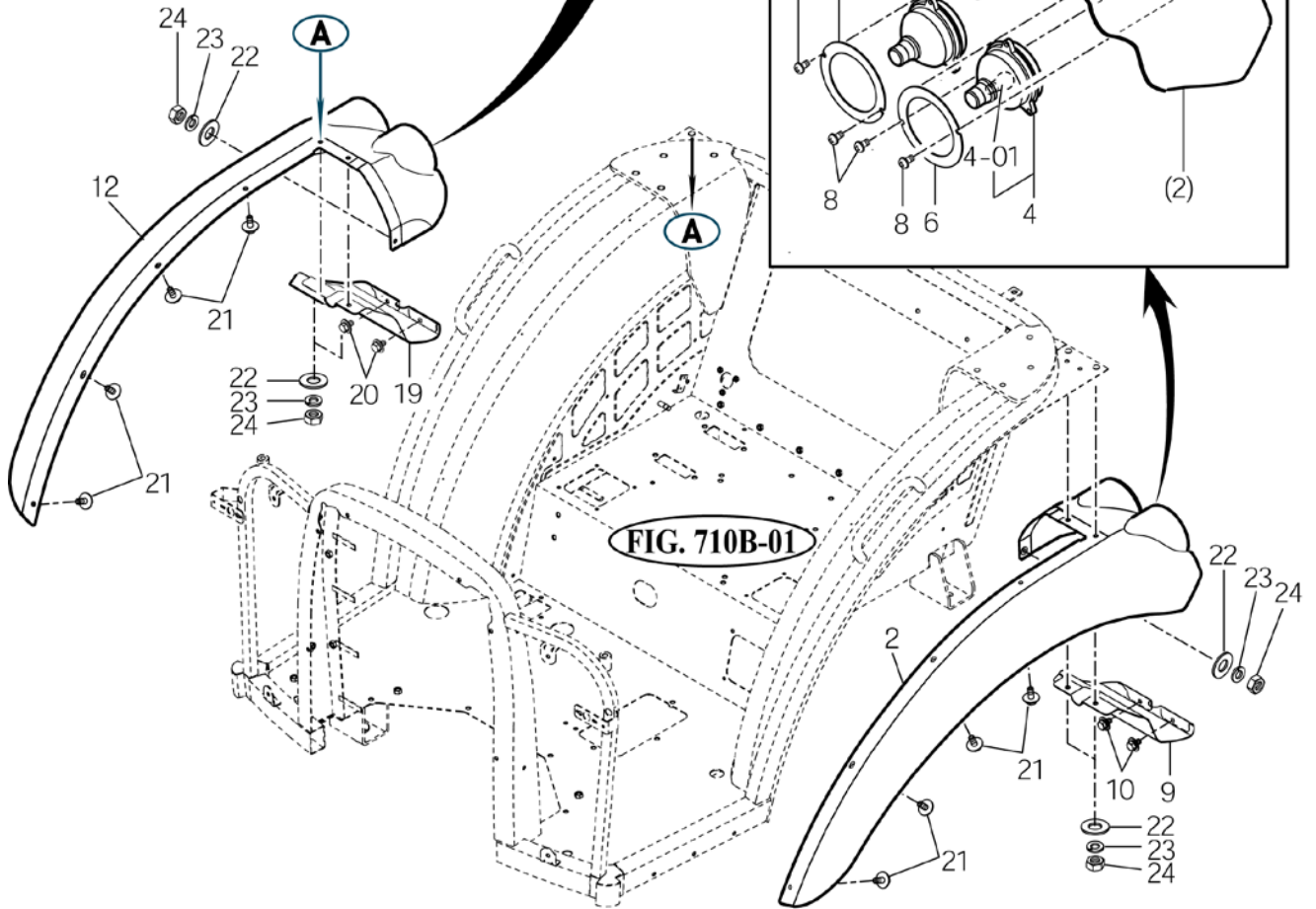
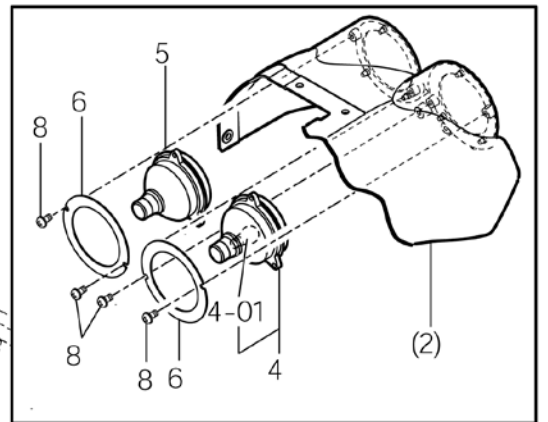
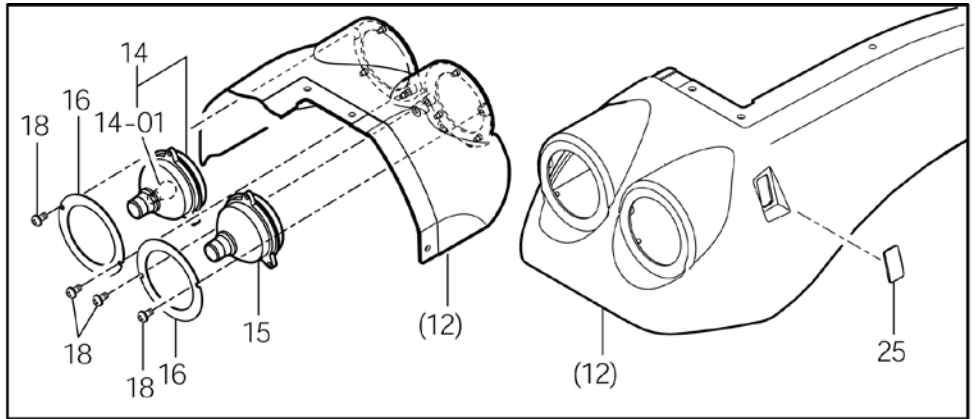
SUB FENDER&COVER-Non CAB

RK55S / RK55SC

P1

YEAR

2017



T553-E-713B

NOTE

FIG 713B

SUB FENDER&COVER-Non CAB

P1

YEAR

2017



RK55S / RK55SC

KEY NO.	PART NO.	DESCRIPTION	SPEC.	QTY.		REPAIR	EFFECTIVE DATE	REMARKS
				RK55SC	RK55S			
713B 002	14527063100SR	FENDER COMP , LH/SUB		-	1			
713B 004	14527023300	LAMP ASSY , RR COMBINATION		-	1			
713B 00401	15646542130	.BULB , 12V 21W		-	1	B		
713B 005	17687023401	LAMP ASSY . STOP		-	1			
713B 006	14527061120	PLATE , LAMP		-	2			
713B 008	V1202606012	SCREW , C/R PAN /P	M6X12	-	4			
713B 009	14527061770	COVER,LH / LAMP	T=2	-	1			
713B 010	V2193606012	BOLT , HEX/SPL	M6X12	-	2			
713B 012	14527063201SR	FENDER COMP , RH/SUB		-	1			
713B 014	14527023300	LAMP ASSY , RR COMBINATION		-	1			
713B 00401	15646542130	.BULB , 12V 21W		-	1	B		
713B 015	17687023401	LAMP ASSY . STOP		-	1			
713B 016	14527061120	PLATE , LAMP		-	2			
713B 018	V1202606012	SCREW , C/R PAN /P	M6X12	-	4			
713B 019	14527061781	COVER,RH / LAMP	T=2	-	1			
713B 020	V2193606012	BOLT , HEX/SPL	M6X12	-	2			
713B 021	V2193606020	BOLT , HEX/SPL	M6X20	-	8			
713B 022	16997013020	WASHER , EVAPORATOR COVER		-	6			
713B 023	V4011600060	WASHER , SPRING	M6	-	6			
713B 024	V3013600060	NUT , HEX/2	M6	-	6			
713B 025	14527063311	CAP,SWITCH		-	1			

NOTE

FIG 714A

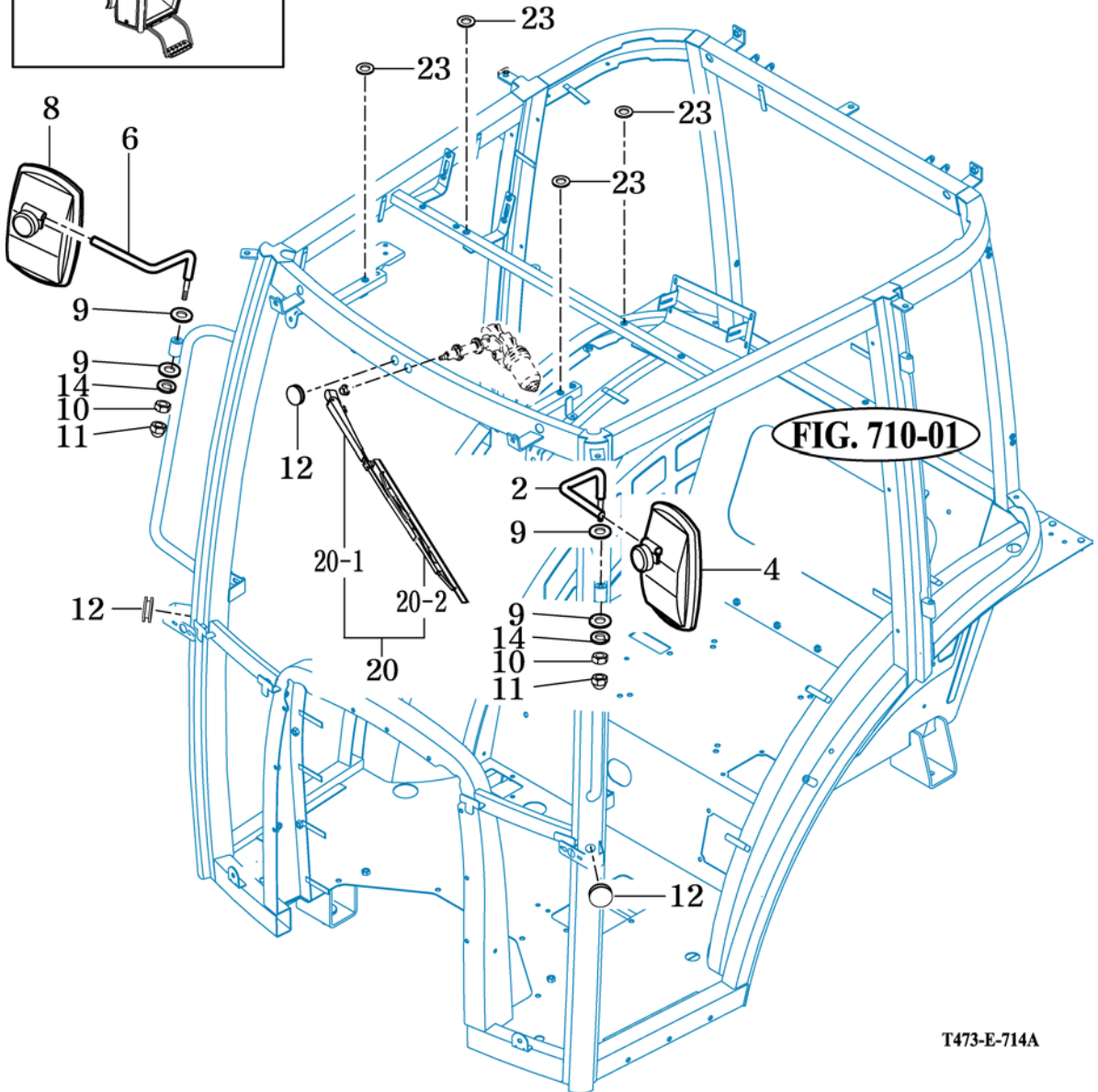
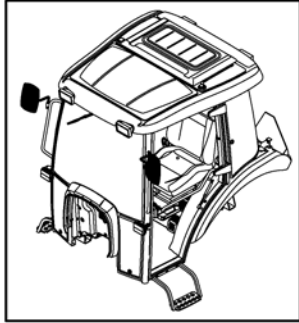
MIRROR

RK55S / RK55SC

P1

YEAR

2017



T473-E-714A

NOTE



FIG 714B

MIRROR&WORKING LAMP-Non CAB

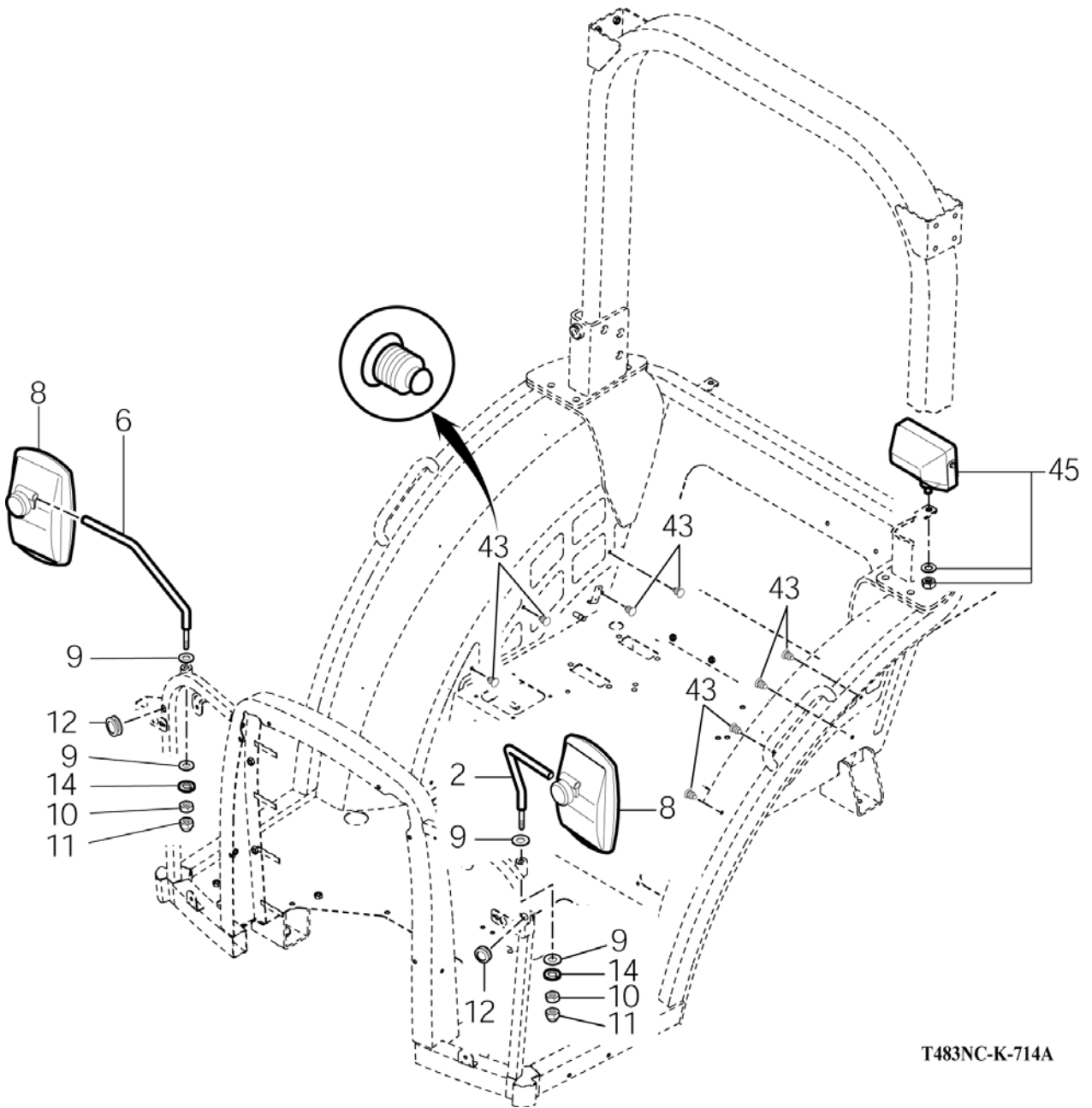
P1

YEAR

2017



RK55S / RK55SC



T483NC-K-714A

NOTE





FIG 715A

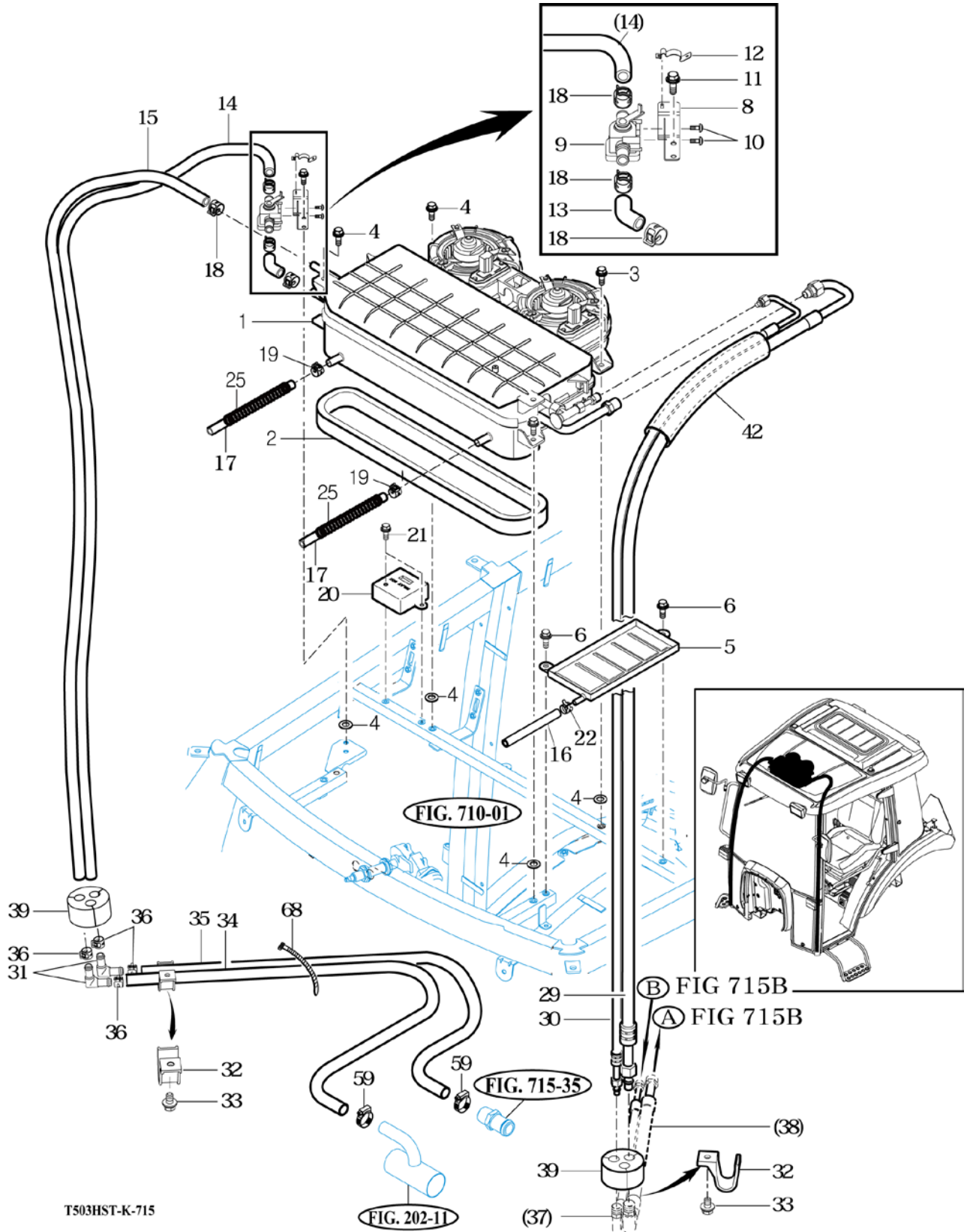
HEATER & AIR-CON

RK55S / RK55SC

P1

YEAR

2017



NOTE



FIG 715B

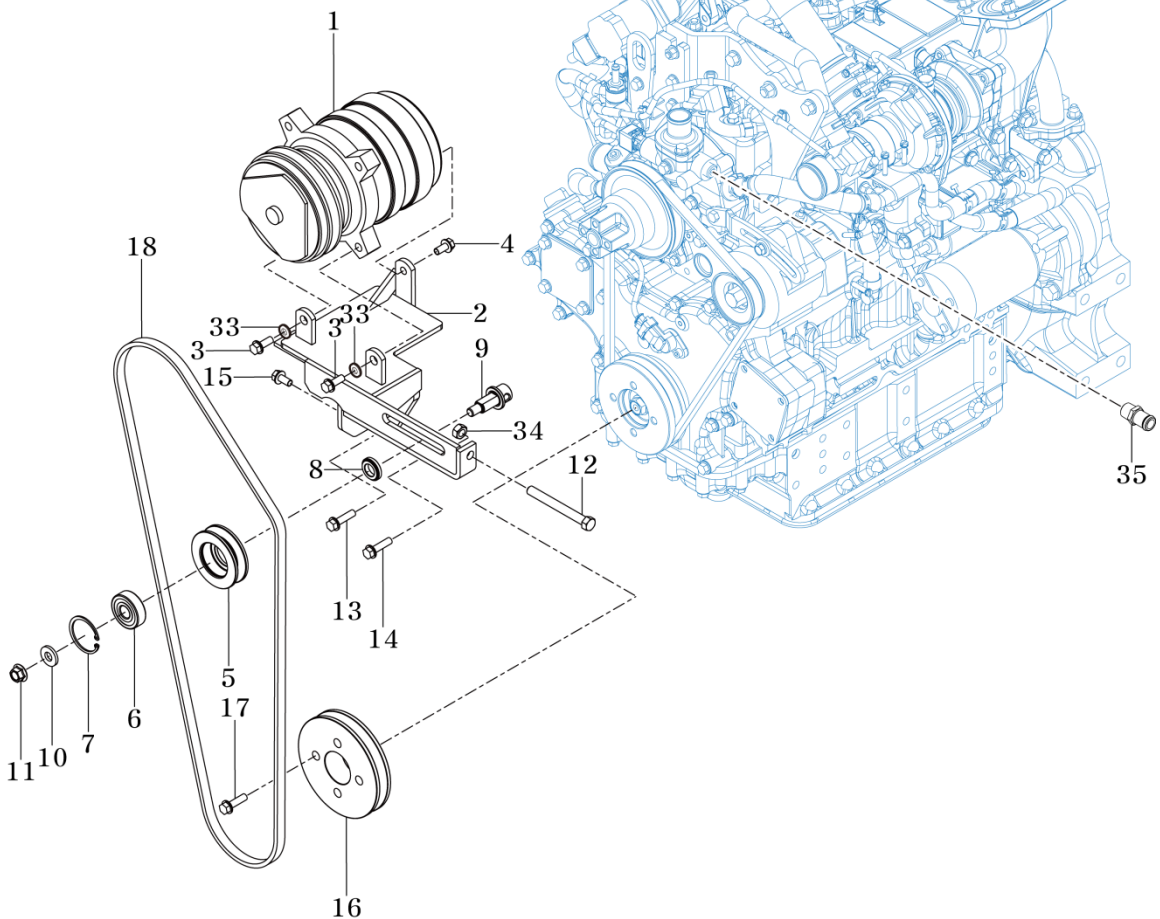
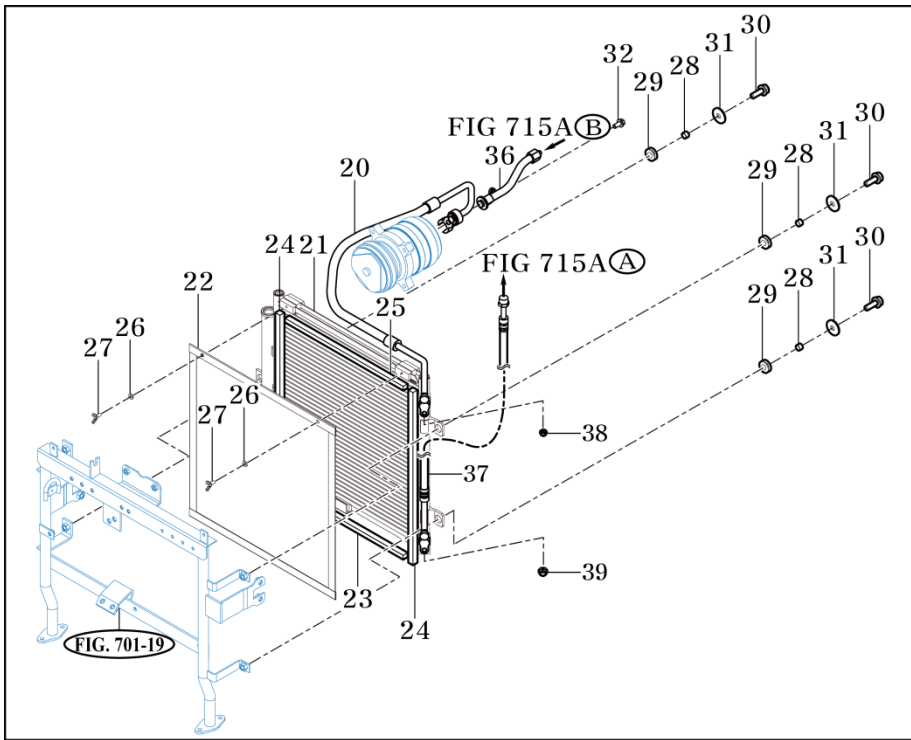
# HEATER & AIR-CON

RK55S / RK55SC

P1

YEAR

2017



NOTE


KEY NO.		PART NO.	DESCRIPSTION	SPEC.	QTY.		REPAIR	YEAR	REMARKS
					RK55SC	RK55S		2017	
FIG 715B		HEATER & AIR-CON			P1				
RK55S / RK55SC									
715B	001	16608303201	COMPRESSOR ASSY		1	-		~2018.07.18	
715B	001	16608303202	COMPRESSOR ASSY		1	-		2018.07.19~	
715B	002	17465807200GB	COMPRESSOR BRACKET COMP		1	-			
715B	003	V2143610035	BOLT , HEX FINE/S	M10X35	2	-			
715B	004	V2183608025	BOLT , HEX/SP	M8X25	1	-			
715B	005	14622100531GB	PULLEY MID		1	-			
715B	006	V6001506302	BEARING , BALL		1	-			
715B	007	V7051400420	C-RING , HOLE		1	-			
715B	008	14622100541	COLLAR , SPACER		1	-			
715B	009	14627300531	SHAFT MID PULLEY		1	-			
715B	010	13377210020	WASHER , 11X24X3		1	-			
715B	011	14622600100	NUT , HEX FLANGE		1	-			
715B	012	W2004610090	BOLT , HEX	M10X90	1	-			
715B	013	V2183608020	BOLT , HEX/SP	M8X20	1	-			
715B	014	V2183608040	BOLT , HEX/SP	M8X40	1	-			
715B	015	V2183608055	BOLT , HEX/SP	M8X55	1	-			
715B	016	14661210010GB	PULLEY COMPRESSOR		1	-			
715B	017	V2173610040	BOLT , HEX/S	M10X40	4	-			
715B	018	17468079300	V BELT 58A	58A	1	-			
715B	019	V3042600100	NUT , HEX/2	M10	1	-			
715B	020	17468302201	HOSE ASSY , DISCHARGE		1	-			
715B	021	17468303700	CONDSEY ASSY		1	-			
715B	022	18508304200GB	NET COMP , CONDENSER		1	-			
715B	023	18501042360	SPONG(170)		2	-			
715B	024	18501042370	SPONG(430)		2	-			
715B	025	18501042350	SPONG(295)		1	-			
715B	026	V4111600060	WASHER , PLAIN		2	-			
715B	027	V2712606012	BOLT , WING	M6X12	2	-			
715B	028	15991040050	COLLAR , SPACER		3	-			
715B	029	14046210300	GROMMET		3	-			
715B	030	V2183608030	BOLT , HEX/SP	M8X30	3	-			
715B	031	35602010150	WASHER , BIND SHAFT		3	-			
715B	032	V2143610035	BOLT , HEX FINE/S	M10X35	1	-			
715B	033	V4111600100	WASHER , PLAIN	M10	2	-			
715B	034	V3042600100	NUT , HEX/2	M10	1	-			
715B	035	18018200060	NIPPLE , PT3/8		1	-			
715B	036	17468302801	SUC. PIPE ASSY		1	-			
715B	037	17468302402	LIQ.HOSE ASSY NO2		1	-			
715B	038	V3802600080	NUT , HEX FLANGE	M8	1	-			
715B	039	V3802600060	NUT , HEX FLANGE	M6	1	-			
NOTE									

FIG 716

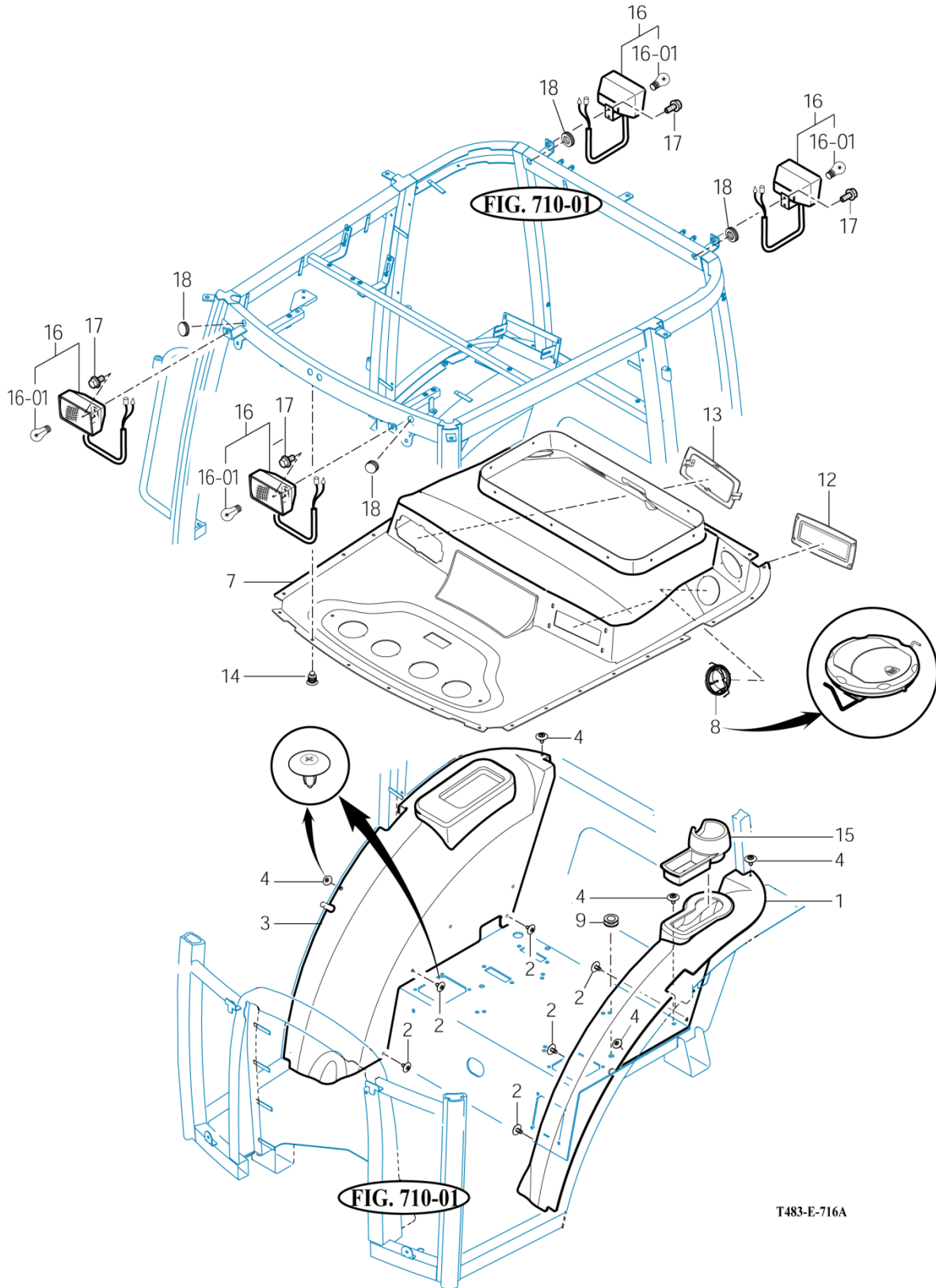
FENDER COVER

RK55S / RK55SC

P1

YEAR

2017



T483-E-716A

NOTE





FIG 717

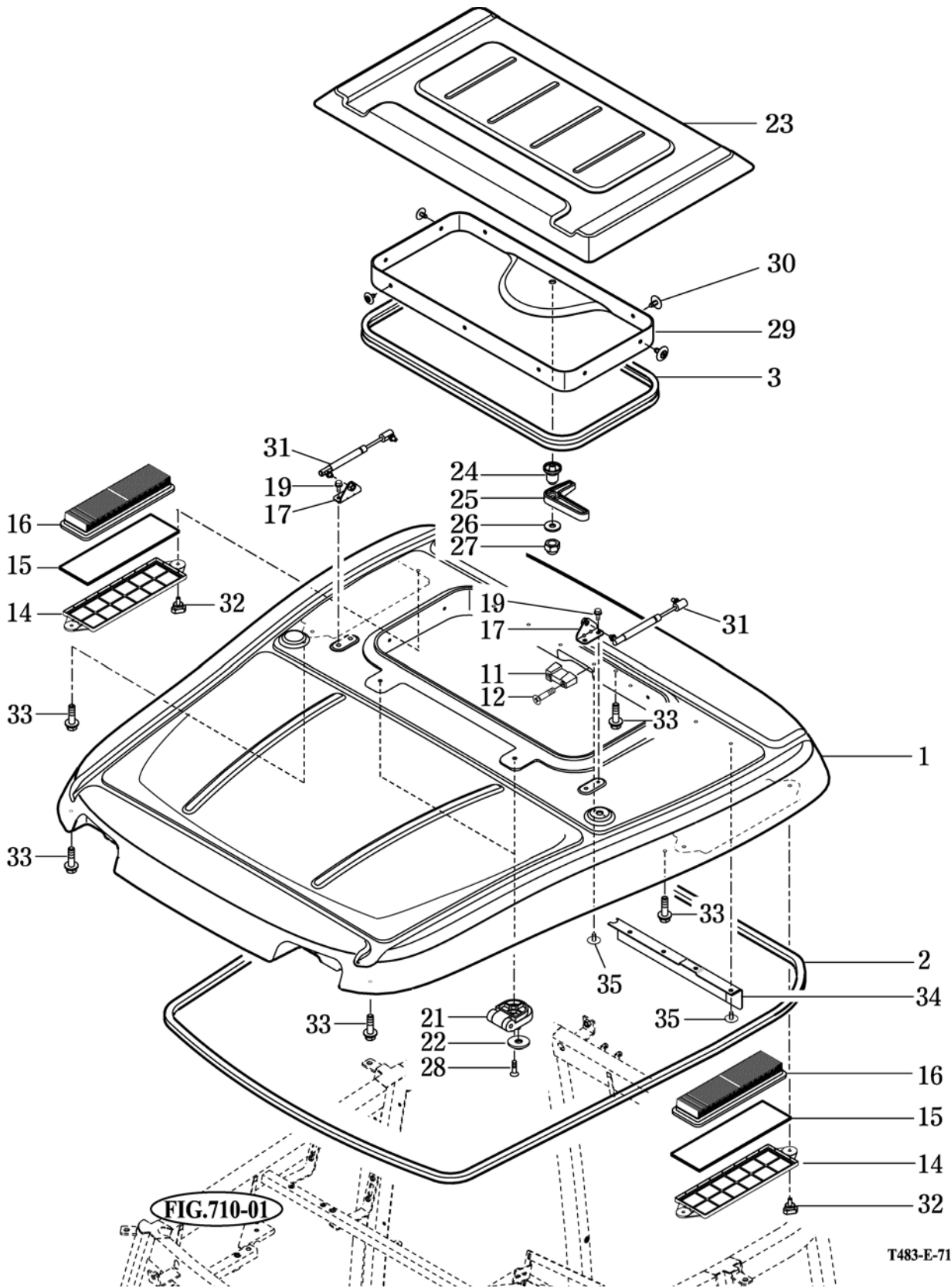
ROOF

RK55S / RK55SC

P1

YEAR

2017



T483-E-717A

NOTE





FIG 718

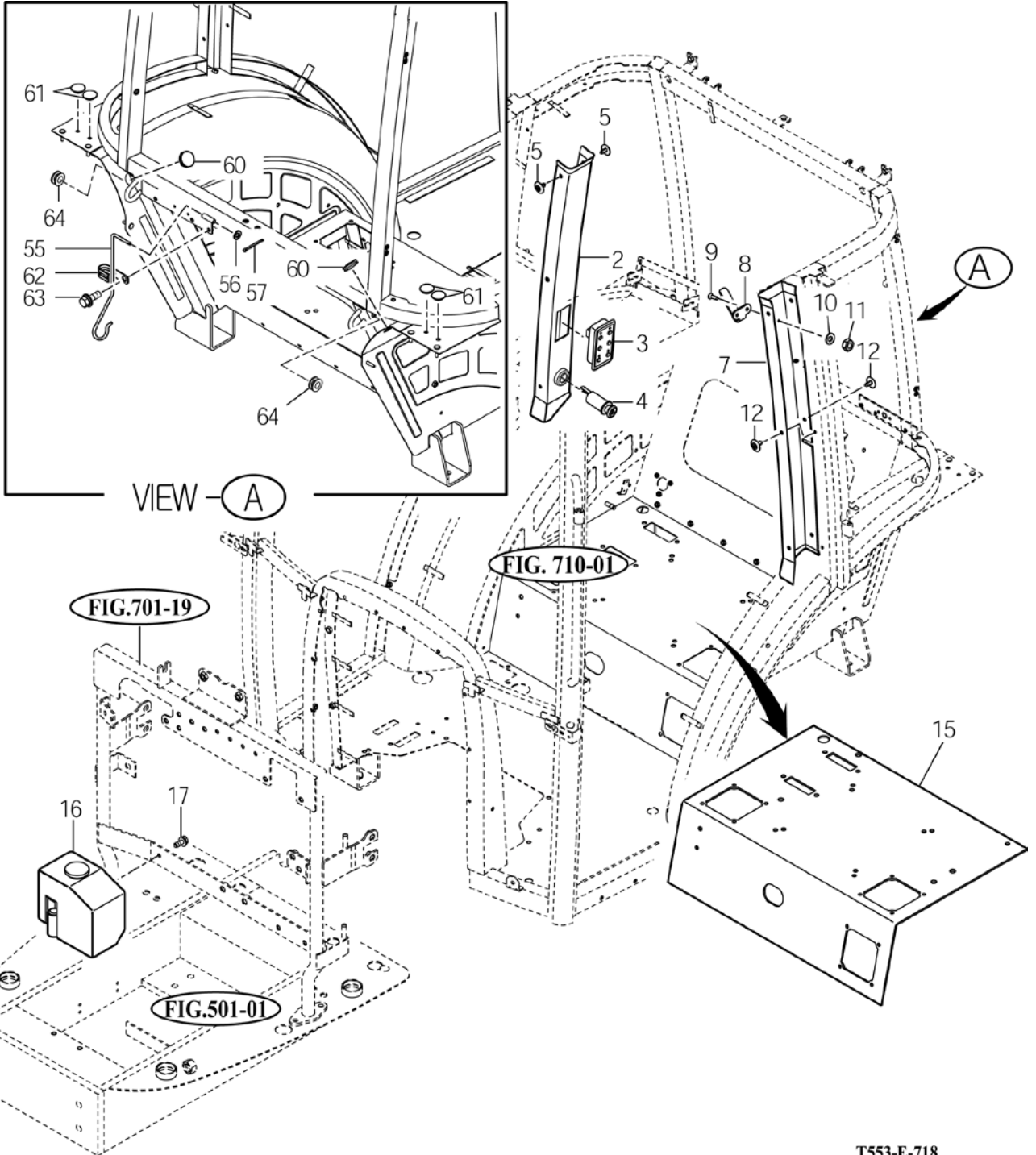
CABIN INTERIOR

RK55S / RK55SC

P1

YEAR

2017



T553-E-718

NOTE



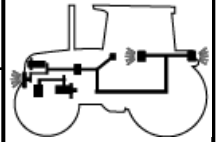
FIG 801

BATTERY & MOUNTING

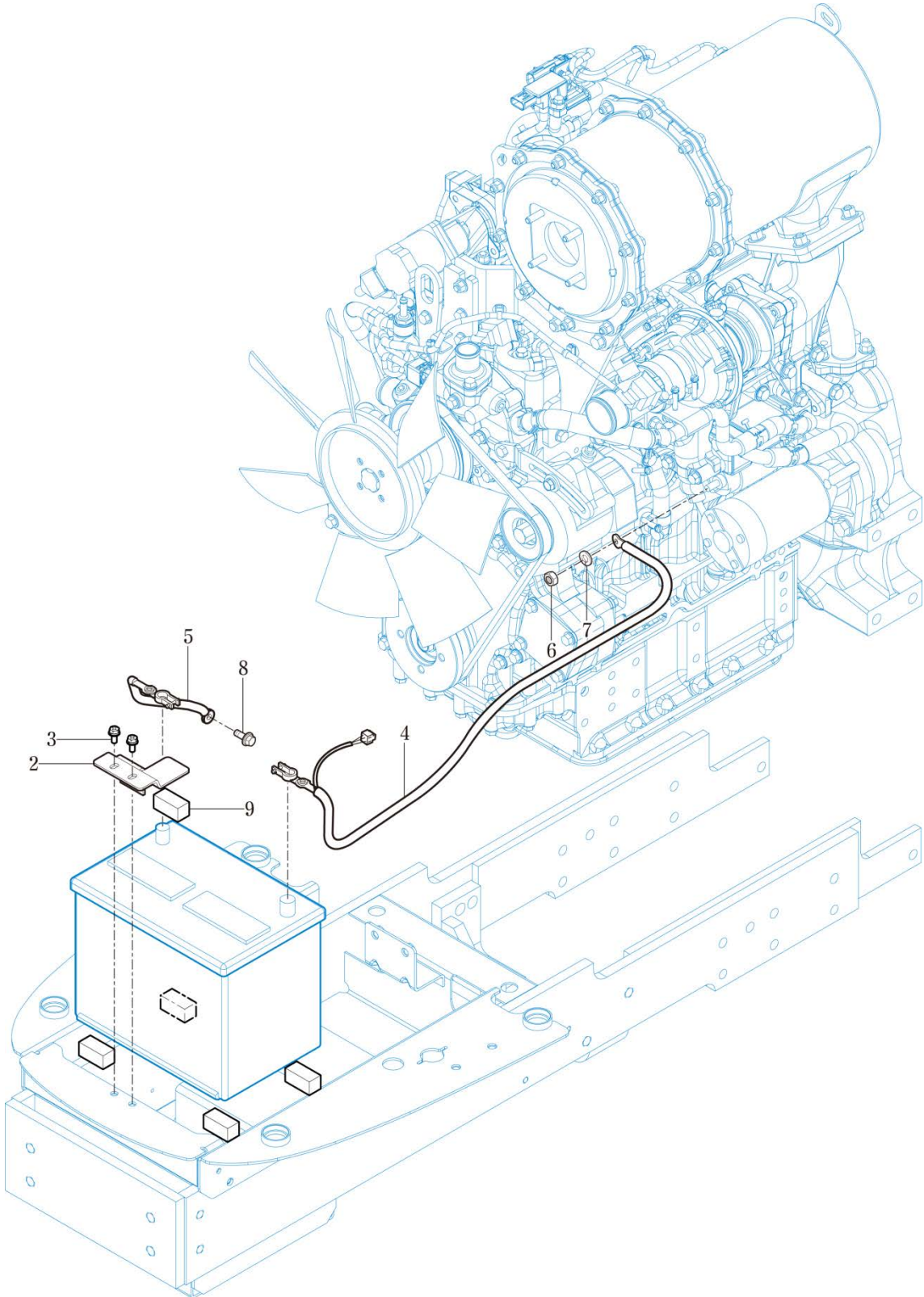
P1

YEAR

2017



RK55S / RK55SC



NOTE



FIG 802

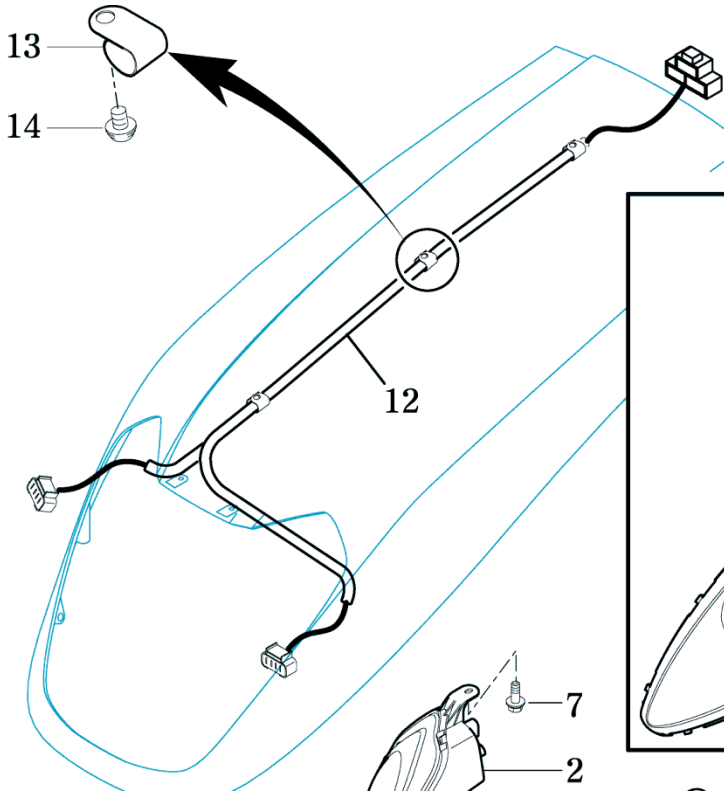
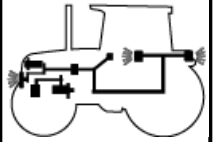
LIGHT & BACK LAMP

RK55S / RK55SC

P1

YEAR

2017



DETAIL-KEY NO. 1,2

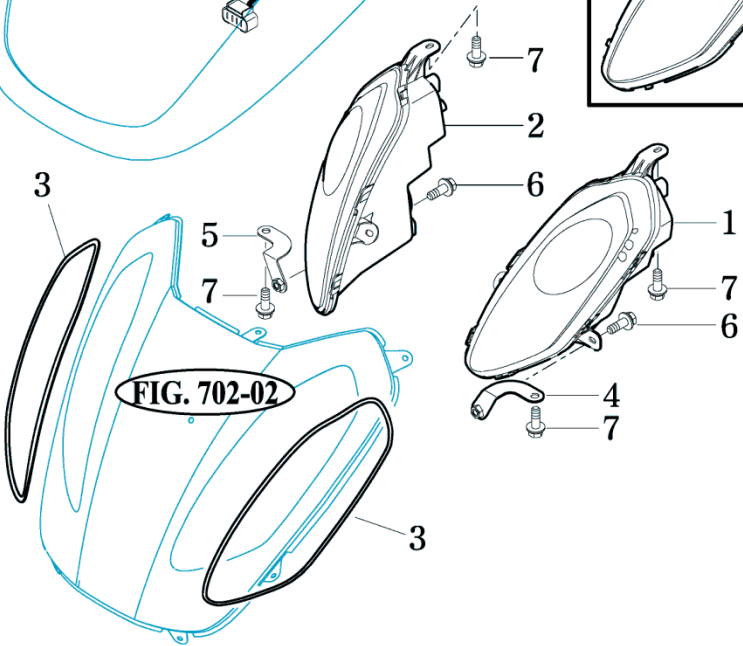
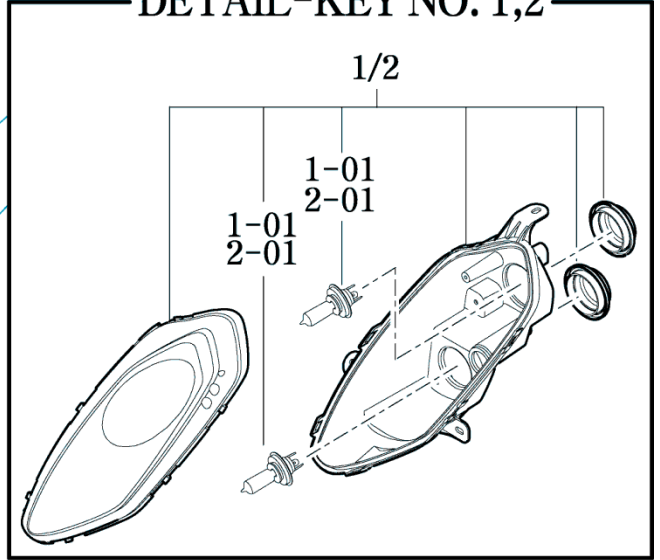


FIG. 702-02

T483-k-802

NOTE



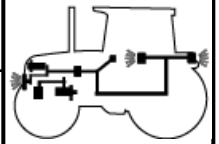
FIG 803

INSTRUMENT PANEL

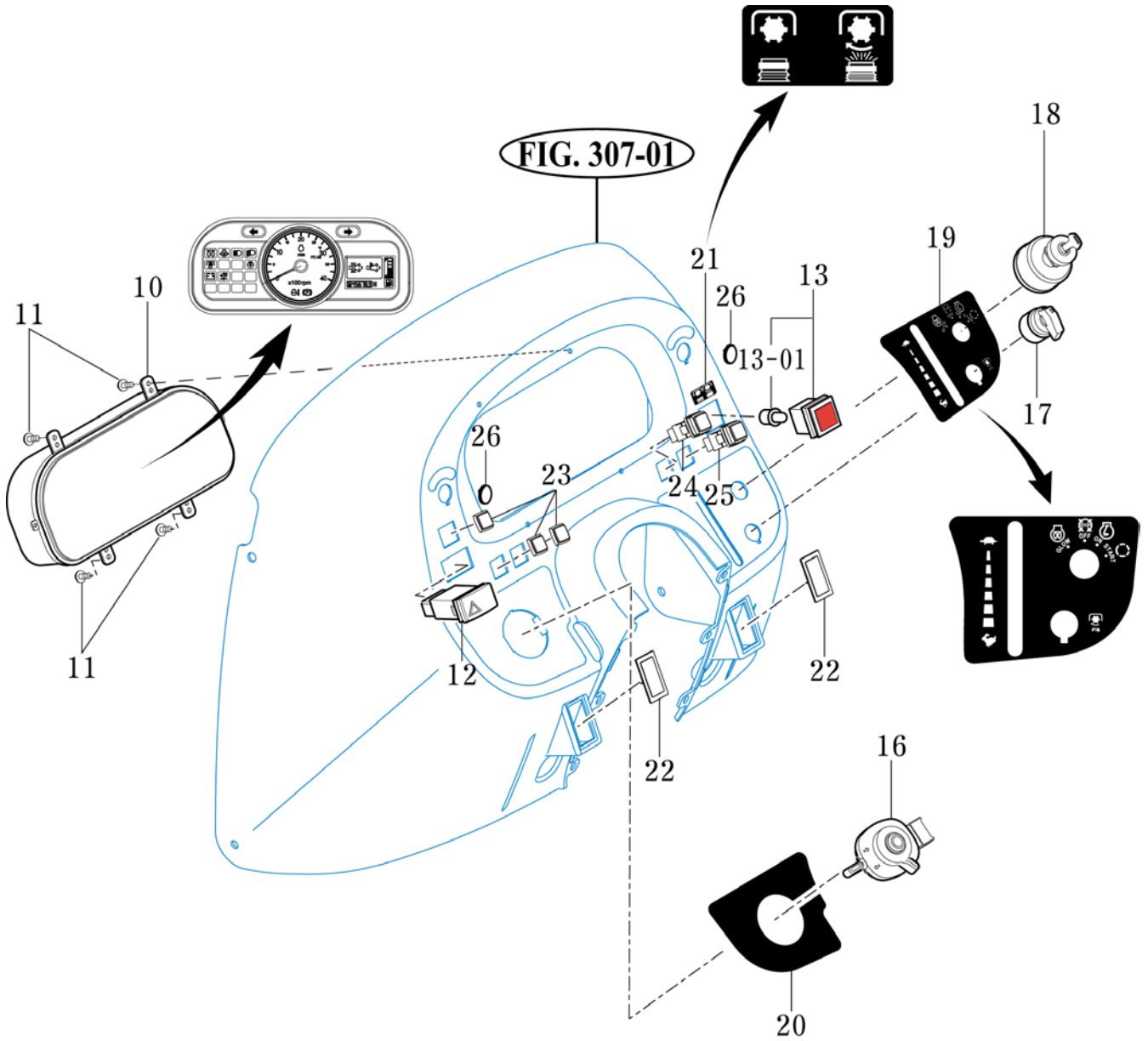
P1

YEAR

2017



RK55S / RK55SC



NOTE





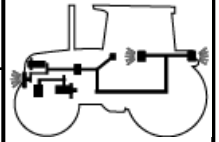
FIG 804

ELECTRIC SYSTEM (1)

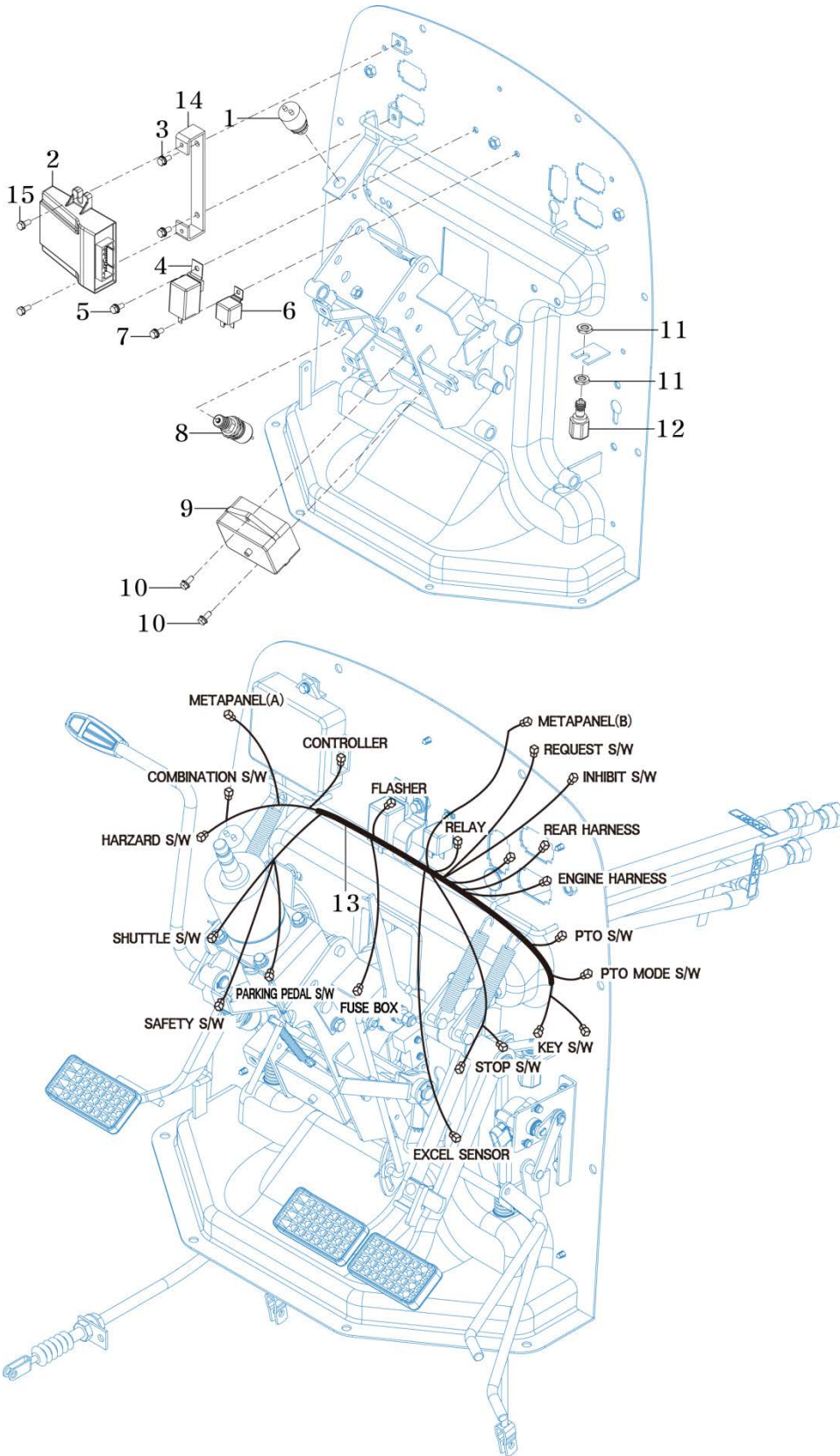
P1

YEAR

2017



RK55S / RK55SC



NOTE



FIG 805A

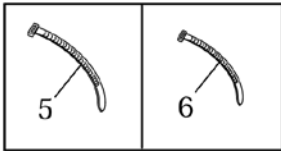
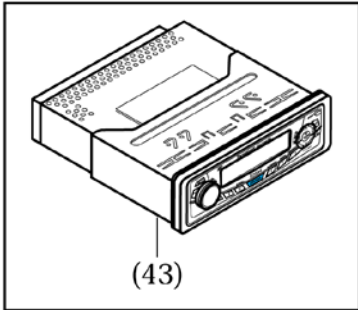
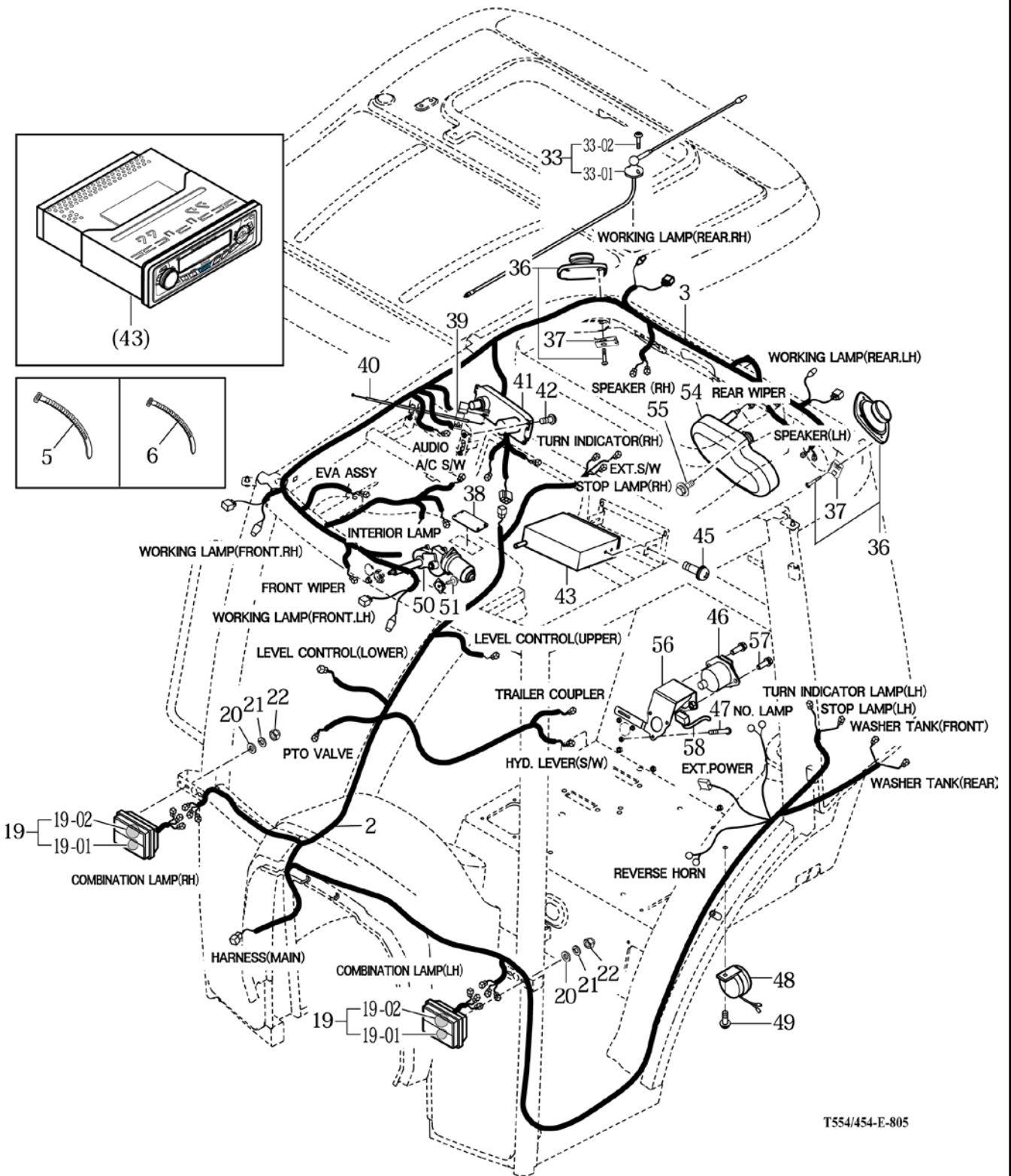
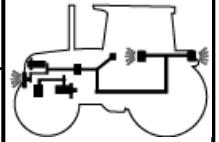
ELECTRIC SYSTEM (2)

RK55S / RK55SC

P1

YEAR

2017



T554/454-E-805

NOTE



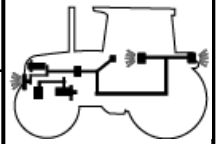
FIG 805B

ELECTRIC SYSTEM (2)-Non CAB

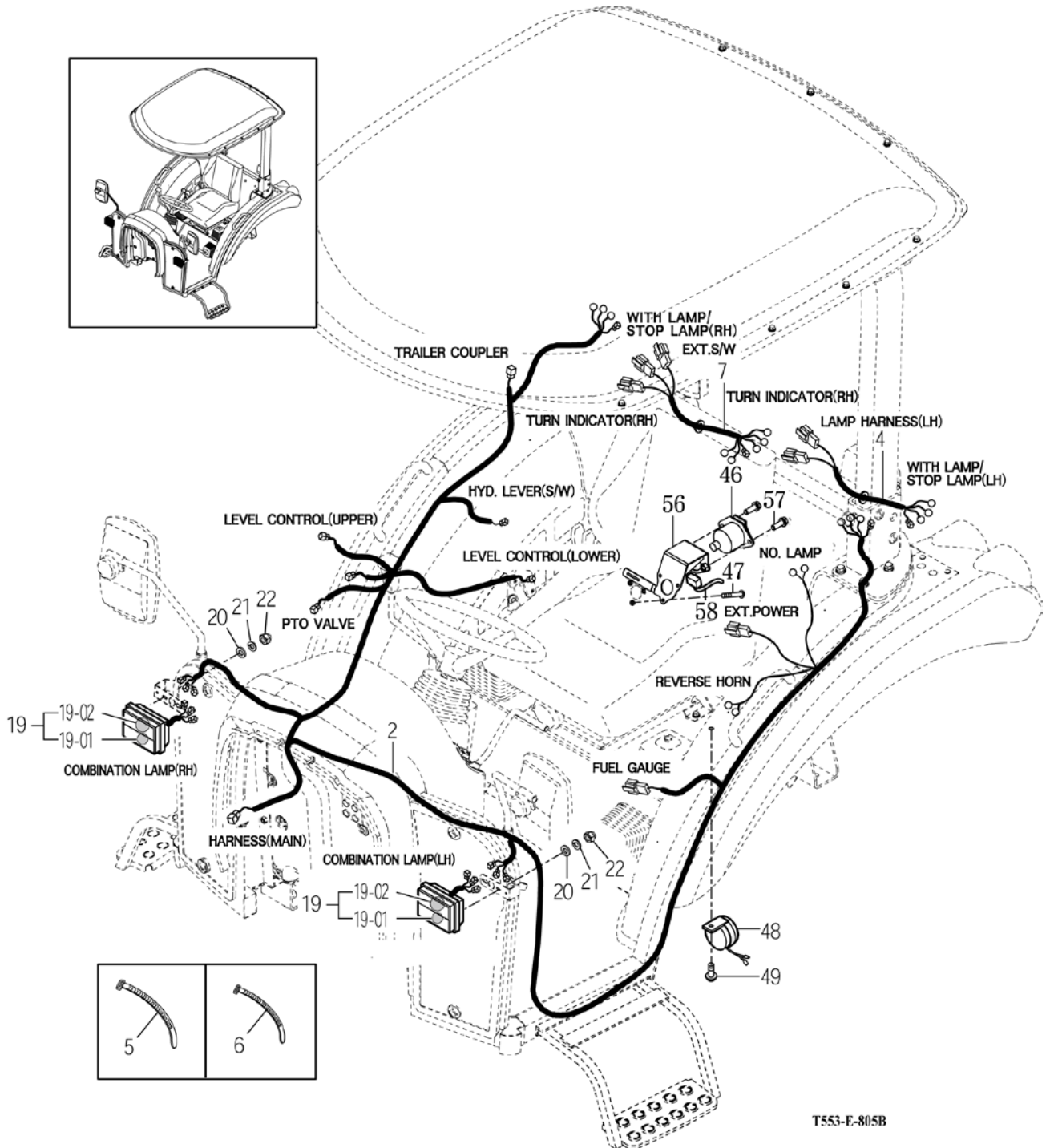
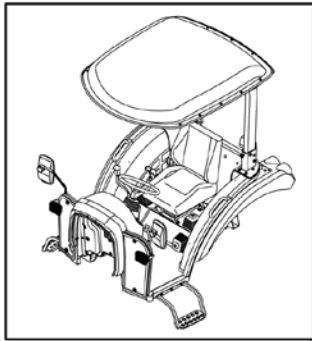
P1

YEAR

2017



RK55S / RK55SC



T553-E-805B

NOTE





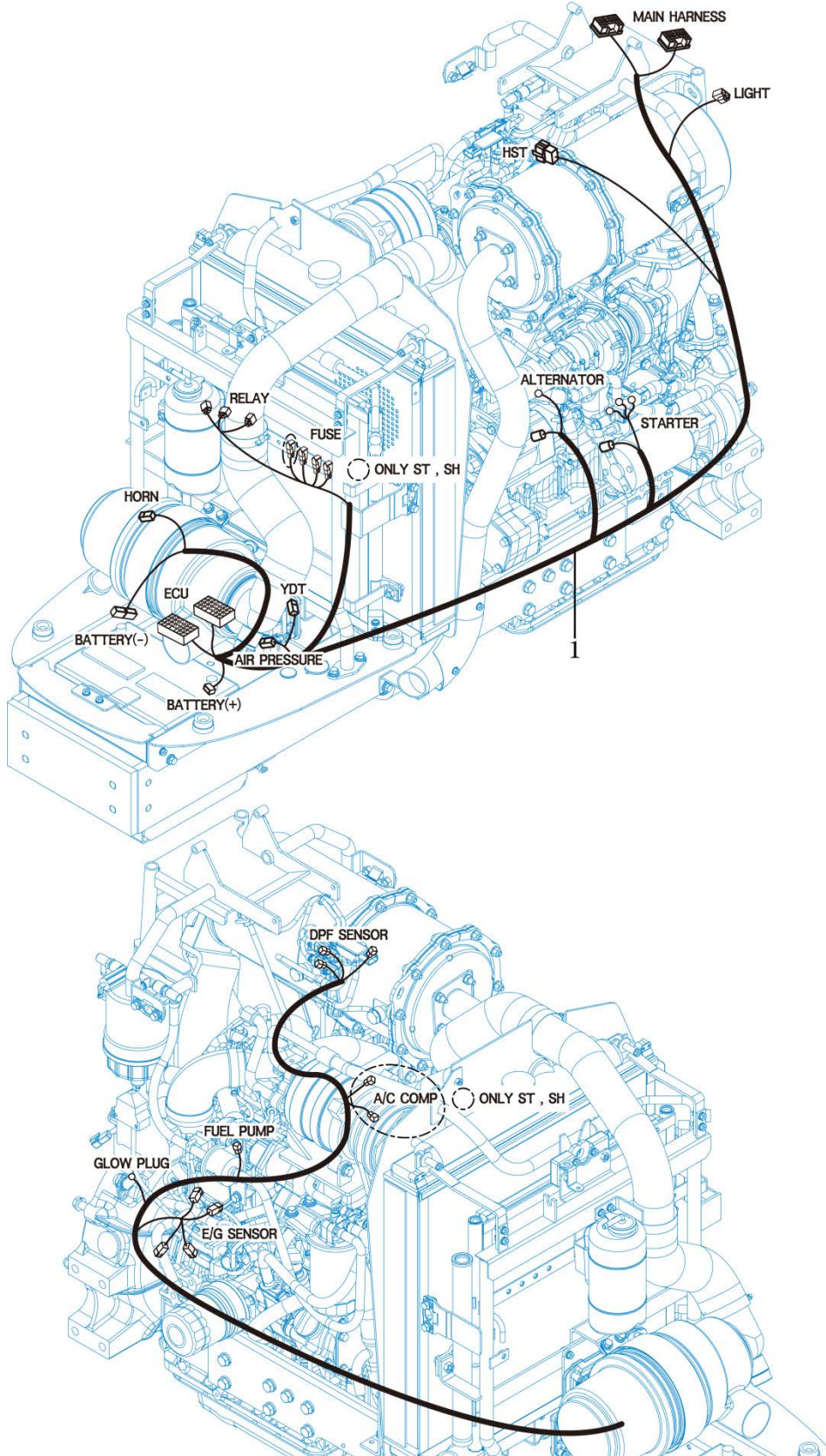
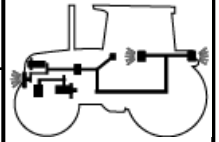
FIG 806

# ELECTRIC SYSTEM (3)

P1

YEAR

2017



NOTE





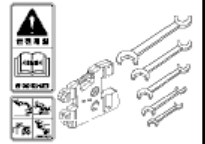
FIG 901

TOOL & ACCESSORY

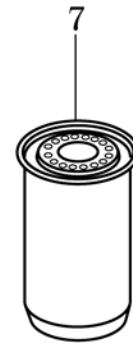
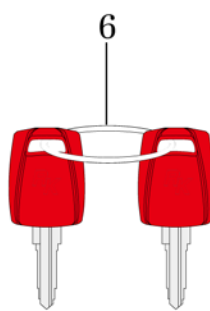
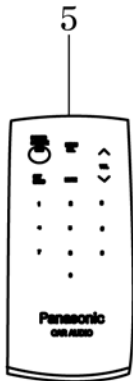
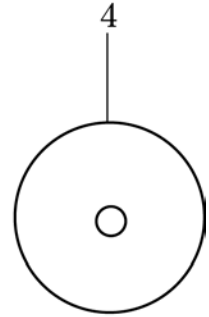
P1

YEAR

2017



RK55S / RK55SC



RK55-E-901

NOTE



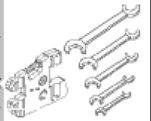
FIG 902

LABEL

P1

YEAR

2017



RK55S / RK55SC

**WARNING**

Do not remove radiator cap while engine is hot. Hot steam will injure you.

1200-910-015-0

24

**CAUTION**

Keep hands and clothing away from rotating fan and belts to prevent serious injury.

1200-910-012-0

23

Inner/Outer air Ventilation

- When grills of rear and both sides are opened, inner air will ventilate in.
- For effective use, open it when operate heater or air conditioner and close when ventilate fresh air.

1200-904-122-1

18

**DANGER**

Do not ride except operator.

1200-910-016-0

6

ON

4WD

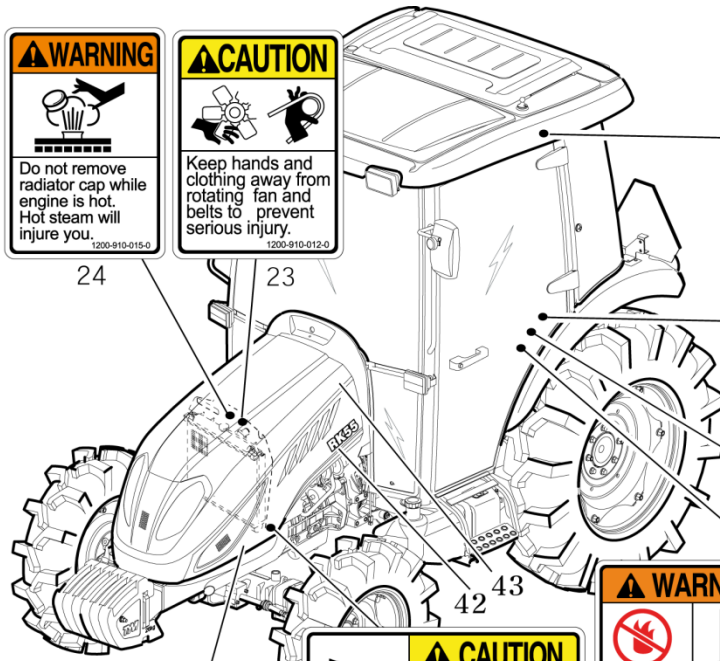
OFF

**OPERATION**

TO PROJECT YOUR ENGINE:

- To activate the regeneration function manually if the engine has warning lamp and regeneration lamp is illuminated, refer to the Operator's Manual
- For the regeneration process, consult your Operator's Manual or your local dealer.

48



**WARNING**

Do not refuel the tractor while smoking or near naked flame or sparks. Always stop engine before refueling tractors.

1200-910-026-0

**WARNING**

Do not use the sub shift lever at "H" position when driving backward.

1200-910-001-0

4

Shuttle Shift  
45  
Hydrostatic  
46

**DANGER**

This Tractor may tip over unexpectedly and quicker than an operator is able to jump free

- Never operate a tractor without a proper Roll over Protection Structure.(ROPS)
- Always wear your seat belt when operating this tractor equipped with roll over protection.
- Never pull from above or from the rear axle.
- Do not operate the tractor on steep slopes or near drop offs
- Avoid sharp high speed turns. Serious injury or death may result from tractor upsets.

1200-904-501-0

38

This ROPS frame was tested in accordance with OECD Standard (Code 4) (Equivalent to AS 1636.1) for use on Rural King tractor model RK55 with a maximum (GVM) of 1953KG. Manufactured by HAN-SUNG KOREA

100-00-000

41

This cab structure was tested in accordance with OECD Standard Code 4 (Equivalent to AS 1636.1) for use on Rural King tractor model RK55 with a maximum (GVM) of 2143KG. Manufactured by DONG-SUNG, KOREA

100-00-000

41

**Rural King**

MODEL: \_\_\_\_\_

TYPE: \_\_\_\_\_

ENGINE: \_\_\_\_\_

SERIAL NO. \_\_\_\_\_

MANUFACTURER: TONG YANG MOOLSAN CO.,LTD

THIS PRODUCT IS MADE IN KOREA

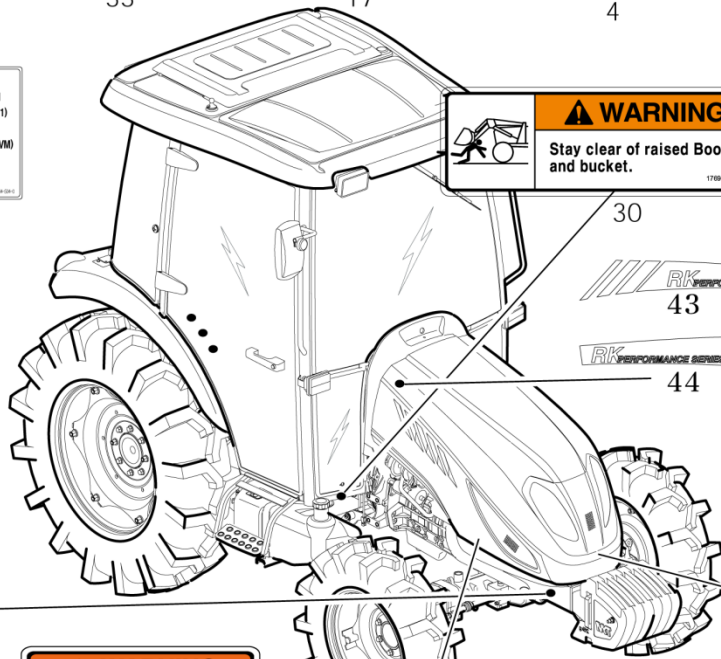
32

**CAUTION**

Do not touch while the system is hot. It cause serious burns

1200-910-024-0

33



**WARNING**

Stay clear of raised Boom and bucket.

1708-910-010-0

30



43



44

TURBO  
47

**WARNING**

Additions, alterations, cracking, damage or corrosion to this structure may adversely affect the performance of the ROPS.

39

Shuttle Shift  
45  
Hydrostatic  
46

**WARNING**

Death or injury may result if this tractor over turns with the ROPS in the folded down position. Operate this tractor with the ROPS folded down only when necessary. Do not wear seat belt if operated with ROPS folded down

1200-904-502-0

40

NOTE



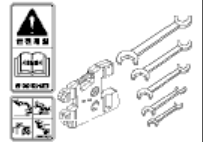
FIG 902

LABEL

P2

YEAR

2017



RK55S / RK55SC

**SPEED TABLES**

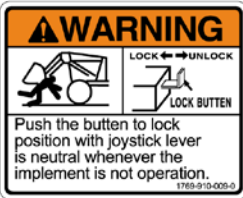
OPERATOR	TRAVEL RANGE	FIELD SPEED	ROAD SPEED	MAX. SPEED	MAX. TORQUE
1768-910-017-0	0-100%	0-100%	0-100%	0-100%	0-100%

\*The data reported in this publication are also subject to variation and consequently are not

2



7



21



13



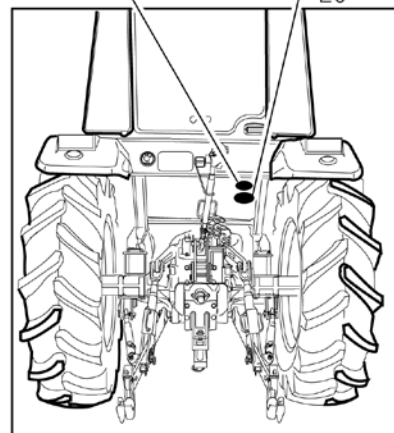
10



19



20



9



16



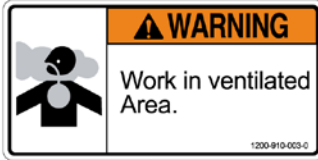
15



11



35



3



29



14



8



36

NOTE

